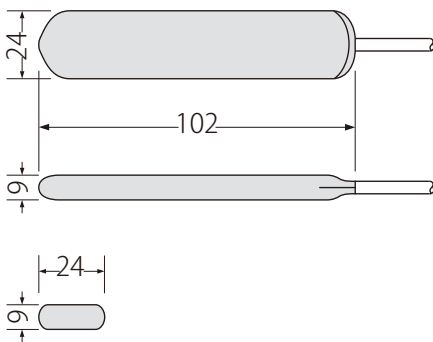


Other pressure sensing switch products

Call switch



External dimensions (mm)



For the hospitalized patients

- Soft and gentle to the touch
- Sealed structure that prevents water and dust from getting in
- Switched on with slight pressure

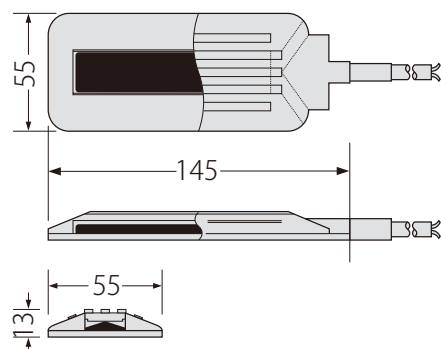
Specifications

Type number	CS-100-W
Color	White
Rated voltage	AC/DC 5 to 24V
Rated current	0.01 to 0.3A (resistive load)
Insulation resistance	100MΩ or higher (DC250V)
Interelectrode withstand voltage	DC250V, 1 minute
Recommended temperature range	0 to 50°C
Waterproof	JIS C 0920:2003 protection class 7
Lead wire	SVCTF(with Tetoron yarn) 2 conductors, 0.2mm ² 2,000mm white
Jacket material	PVC

Foot switch



External dimensions (mm)



Easy to step on

- Comfortable and with low impact on the feet even when working in a chair
- Safe design with a minimum exposed metal

Specifications

Type number	FS-111-B / FS-P (Protection cover)
Color	Black
Rated voltage	AC/DC 5 to 24V
Rated current	0.01 to 0.3A (resistive load)
Insulation resistance	100MΩ or higher (DC250V)
Actuating force	Approx. 40N
Interelectrode withstand voltage	DC250V, 1 minute
Recommended temperature range	0 to 50°C
Weight	200g, 1,600g for products with a protection cover
Lead wire	SVCTF 2 conductors, 0.75mm ² 2,000mm
Jacket material	Oil resistant rubber