

Reverse Bayonet Coupling Connectors

DCA-F Series

DDK Ltd.

RoHS Compliant

OUTLINE

DCA series is a bayonet coupling connector which utilizes MIL-DTL-5015 insert arrangements and is compatible with VG95234. The inserts are made of the synthetic rubber and can cope with various environments required by the industrial applications. DCA "F" style and "R" style are designed to prevent dust, oil and water from intruding into the connectors.

The DCA series is suitable for applications such as servo motors, machine tools and factory automation equipment.



Conforming Standard
MIL-DTL-5015

Waterproof
IP67
IP55

Lock Type
Bayonet

FEATURES

- ◆ Quick positive bayonet coupling.
- ◆ Audible, tactile and visual indication of full coupling.
- ◆ IP67 when mated and used with suitable accessories, grommet or a waterproof backshell.
- ◆ Contacts available in both crimp and solder terminations,
- ◆ High shock and vibration capabilities.
- ◆ Operating temperature range: -55°C to 125°C with Neoprene insert.
- ◆ Intermateable with existing VG95234 connectors.

SPECIFICATIONS

Rated Voltage

| Service Rating | DC | AC(r.m.s) |
|----------------|-------|-----------|
| INST | 250V | 200V |
| A | 700V | 500V |
| D | 1250V | 900V |
| E | 1750V | 1250V |

Rated Current

| Contact Size | Contact Size | Max. Value per Contact(A) |
|--------------|--------------|---------------------------|
| # 16 | φ 1.5 | 13A |
| # 12 | φ 2.4 | 23A |
| # 8 | φ 3.6 | 46A |
| # 4 | φ 5.7 | 80A |
| # 0 | φ 9.1 | 150A |

APPLICABLE CABLE

| Contact Size | AWG | Nominal Sectional Area | Maximum Conductor Dia. |
|--------------|-----------|------------------------|------------------------|
| #16 | #16 - #22 | 1.25mm ² | 1.6mm |
| #12 | #12 - #14 | 3.50mm ² | 2.5mm |
| #8 | #8 - #10 | 8.00mm ² | 4.5mm |
| #4 | #4 - #6 | 22.00mm ² | 7.0mm |
| #0 | #0 - #2 | 50.00mm ² | 11.0mm |

MATERIAL / FINISH

RoHS Compliant

| Item | Material / Finish |
|---------|---|
| Contact | Copper Alloy / Gold Plating or Silver Plating |
| Insert | Ethylene Propylene Rubber / Black |
| Shell | Aluminum Alloy / Zinc Plating , Cation Electroplating(Black) |

© Specifications and/or dimensions in this catalog are subject to change without notice.
Please verify the latest specifications with our drawings.

▶ Insert Arrangement List

| Number of Contact | 2 Contact | | |
|--------------------|-----------|-------|-------|
| Insert Arrangement | | | |
| Insert Number | 10SL-4 | 12S-3 | 18-3 |
| Contact Size | 2-#16 | 2-#16 | 2-#12 |
| Service Rating | A | A | D |

| Number of Contact | 3 Contact | | | |
|--------------------|-----------|-------|-------|-------|
| Insert Arrangement | | | | |
| Insert Number | 10SL-3 | 14S-7 | 16S-5 | 16-10 |
| Contact Size | 3-#16 | 3-#16 | 3-#16 | 3-#12 |
| Service Rating | A | A | A | A |

| Number of Contact | 4 Contact | | | | |
|--------------------|-----------|---------------|-------|-------|-------|
| Insert Arrangement | | | | | |
| Insert Number | 14S-2 | 16-9 | 18-10 | 22-22 | 32-17 |
| Contact Size | 4-#16 | 2-#12 / 2-#16 | 4-#12 | 4-#8 | 4-#4 |
| Service Rating | INST. | A | A | A | D |

| Number of Contact | 5 Contact | | | |
|--------------------|-----------|-------|-------|-------------------------|
| Insert Arrangement | | | | |
| Insert Number | 14S-5 | 16S-8 | 18-11 | 28-5B |
| Contact Size | 5-#16 | 5-#16 | 5-#12 | 2-#4 / 3-#8 |
| Service Rating | INST. | A | A | D (A, B) A (C, D, E) |

| | | | | | |
|--------------------------|------|-----|-------|-------|-----|
| | | | | | |
| Contact Size Symbol | #16 | #12 | #8 | #4 | #0 |
| Service Rating | INST | A | D | E | |
| Rated Voltage AC(r.m.s.) | 200 | 500 | 900 | 1,250 | |
| Rated Voltage DC | 250 | 700 | 1,200 | 1,750 | |
| Contact Size | #16 | #12 | #8 | #4 | #0 |
| MAX Current /Contact | 13 | 23 | 46 | 80 | 150 |

© Specifications and/or dimensions in this catalog are subject to change without notice.
Please verify the latest specifications with our drawings.

▶ Insert Arrangement List

| Number of Contact | 6 Contact | | 7 Contact | | |
|--------------------|-----------|------------|-----------|-------|-------|
| Insert Arrangement | | | | | |
| Insert Number | 14S-6 | 36-3 | 16S-1 | 20-15 | 24-10 |
| Contact Size | 6-#16 | 3-#0/3-#12 | 7-#16 | 7-#12 | 7-#8 |
| Service Rating | INST. | D | A | A | A |

| Number of Contact | 10 Contact | 11 Contact | |
|--------------------|-------------------------------|------------|--------|
| Insert Arrangement | | | |
| Insert Number | 18-1 | 18-19 | 20-33 |
| Contact Size | 10-#16 | 10-#16 | 11-#16 |
| Service Rating | A (B,C,F,G) INST. (Others) | A | A |

| Number of Contact | 14 Contact | 17 Contact | 19 Contact | |
|--------------------|------------|------------|------------|--------|
| Insert Arrangement | | | | |
| Insert Number | 20-27 | 22-19 | 20-29 | 22-14 |
| Contact Size | 14-#16 | 14-#16 | 17-#16 | 19-#16 |
| Service Rating | A | A | A | A |

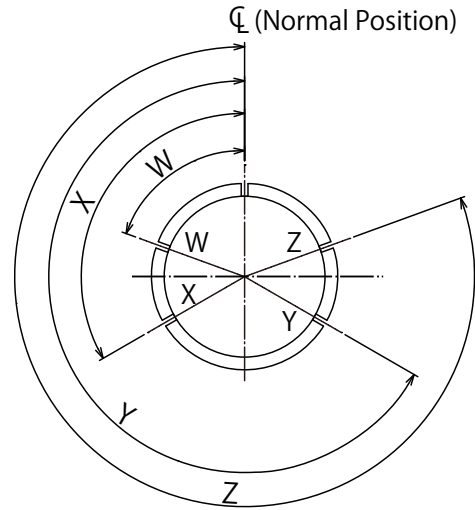
| Number of Contact | 24 Contact | 37 Contact | 48 Contact |
|--------------------|------------|------------|------------|
| Insert Arrangement | | | |
| Insert Number | 24-28 | 28-21 | 36-10 |
| Contact Size | 24-#16 | 37-#16 | 48-#16 |
| Service Rating | INST. | A | A |

| Contact Size Symbol | | | | | |
|--------------------------|------|-----|-------|-------|-----|
| Service Rating | INST | A | D | E | |
| Rated Voltage AC(r.m.s.) | 200 | 500 | 900 | 1,250 | |
| Rated Voltage DC | 250 | 700 | 1,200 | 1,750 | |
| Contact Size | #16 | #12 | #8 | #4 | #0 |
| MAX Current /Contact | 13 | 23 | 46 | 80 | 150 |

© Specifications and/or dimensions in this catalog are subject to change without notice.
Please verify the latest specifications with our drawings.

▶ Alternate Insert Position

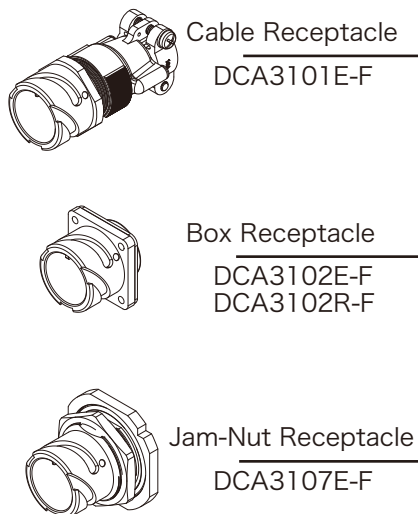
| Insert No. | Key / Keyway No. | | | |
|------------|------------------|------|------|------|
| | W | X | Y | Z |
| 10SL-3 | — | — | — | — |
| 10SL-4 | — | — | — | — |
| 12S-3 | 70° | 145° | 215° | 290° |
| 14S-2 | — | 120° | 240° | — |
| 14S-5 | — | 110° | — | — |
| 14S-6 | — | — | — | — |
| 14S-7 | 90° | 180° | 270° | — |
| 16S-1 | 80 | — | — | 280° |
| 16S-5 | 70° | 145° | 215° | 290° |
| 16S-8 | — | 170° | 265° | — |
| 16-9 | 35° | 110° | 250° | 325° |
| 16-10 | 90° | 180° | 270° | — |
| 18-1 | 70° | 145° | 215° | 290° |
| 18-3 | 35° | 110° | 250° | 325° |
| 18-10 | — | 120° | 240° | — |
| 18-11 | — | 170° | 265° | — |
| 18-19 | — | 120° | 240° | — |
| 20-15 | 80° | — | — | 280° |
| 20-27 | 35° | 110° | 250° | 325° |
| 20-29 | 80° | — | — | 280° |
| 20-33 | — | — | — | — |
| 22-14 | 80° | 110° | 250° | 280° |
| 22-19 | 80° | 110° | 250° | 280° |
| 22-22 | — | 110° | 250° | — |
| 24-10 | 80° | — | — | 280° |
| 24-28 | 80° | 110° | 250° | 280° |
| 28-5B | — | — | — | — |
| 28-21 | 80° | 110° | 250° | 280° |
| 32-17 | 45° | 110° | 250° | — |
| 36-3 | 70° | 145° | 215° | 290° |
| 36-10 | 80° | 125° | 235° | 280° |



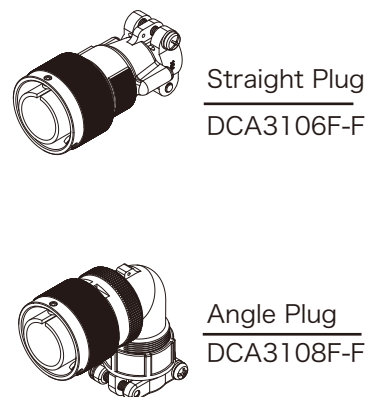
Front face of Pin Insert or Rear face of socket insert

▶ Connector Combination

Receptacle Connector



Plug Connector



© Specifications and/or dimensions in this catalog are subject to change without notice.
Please verify the latest specifications with our drawings.

 Insert Specifications

| Shell Size | Insert Number | Contact Size | | | | | Service Rating |
|------------|---------------|--------------|----|----|-----|-----|------------------------|
| | | #0 | #4 | #8 | #12 | #16 | |
| 10SL | 10SL-3 | | | | | 3 | A |
| | 10SL-4 | | | | | 2 | A |
| 12S | 12S-3 | | | | | 2 | A |
| 14S | 14S-2 | | | | | 4 | INST |
| | 14S-5 | | | | | 5 | INST |
| | 14S-6 | | | | | 6 | INST |
| | 14S-7 | | | | | 3 | A |
| 16S | 16S-1 | | | | | 7 | A |
| | 16S-5 | | | | | 3 | A |
| | 16S-8 | | | | | 5 | A |
| 16 | 16-9 | | | | 2 | 2 | A |
| | 16-10 | | | | 3 | | A |
| 18 | 18-1 | | | | | 10 | A(B,C,F,G)/INST(Other) |
| | 18-3 | | | | 2 | | D |
| | 18-10 | | | | 4 | | A |
| | 18-11 | | | | 5 | | A |
| | 18-19 | | | | | 10 | A |
| 20 | 20-15 | | | | 7 | | A |
| | 20-27 | | | | | 14 | A |
| | 20-29 | | | | | 17 | A |
| | 20-33 | | | | | 11 | A |
| 22 | 22-14 | | | | | 19 | A |
| | 22-19 | | | | | 14 | A |
| | 22-22 | | | 4 | | | A |
| 24 | 24-10 | | | 7 | | | A |
| | 24-28 | | | | | 24 | INST |
| 28 | 28-5B | | 2 | 3 | | | A(C,D,E)/D(A,B) |
| | 28-21 | | | | | 37 | A |
| 32 | 32-17 | | 4 | | | | D |
| 36 | 36-3 | 3 | | | 3 | | D |
| | 36-10 | | | | | 48 | A |

Note : 10SL-3 and 10SL-4 arrangement available only with pin contacts in receptacle and socket contacts in plug (Example : DCA3102R10SL-3P-F, DCA3102R10SL-4P-F, DCA3106F10SL-3S-F, DCA3106F10SL-4S-F)

 DCA-F Part Numbering System

DCA3106F20-29SW □ -F-BSS-1(R1)

① ② ③ ④ ⑤ ⑥ ⑦ ⑧ ⑨ ⑩ ⑪

| | |
|---------------------------------|---|
| ① Connector Series | DCA : Reverse Bayonet Style |
| ② Connector Style | 3101 : Cable connecting receptacle (in-line receptacle) 3102 : Box mounting receptacle 3106 : Straight plug 3107 : Jam nut receptacle 3108 : 90 degree angle plug |
| ③ Gasket | E : Environmental with rubber insert F : Environmental with rubber insert and gasket R : Environmental with rubber insert and gasket (3102 Only) |
| ④ Shell Size | 10SL, 12S, 14S, 16S, 16, 18, 20, 22, 24, 28, 32, 36 |
| ⑤ Insert Arrangement | Refer to page 2 ~ 3 |
| ⑥ Contact Configuration (style) | P : Pin contacts S : Socket contacts PC : Crimp pin contacts SC : Crimp socket contacts |
| ⑦ Alternate Insert Position | Omit : Normal position "W", "X", "Y", "Z" : Refer to page 4 |
| ⑧ Contact Plating Finish | Omit : Silver Plating G : Gold Plating |
| ⑨ Finish | F : Cation Electroplating(Black) |
| ⑩ Backshell Style | BSN : With non - waterproof straight backshell BSS : With waterproof straight backshell BSL : With waterproof Long straight backshell |
| ⑪ Applicable Cable Diameter | 0 : With non - waterproof cable clamp (Refer to Table1) 1 ~ 8 : With waterproof cable clamp (Refer to Table2) |

Table 1

| Number | Cable Clamp P/N | Shell Size | Bushing Used | Applicable Cable Diameter |
|--------|-------------------|------------|---------------|---------------------------|
| 0 | DMS3057-4A-F(R1) | 10SL, 12S | AN3420-4(R1) | φ 5.6 max |
| 0 | DMS3057-6A-F(R1) | 14S | AN3420-6(R1) | φ 7.9 max |
| 0 | DMS3057-8A-F(R1) | 16S, 16 | AN3420-8(R1) | φ 11.1 max |
| 0 | DMS3057-10A-F(R1) | 18 | AN3420-10(R1) | φ 14.3 max |
| 0 | DMS3057-12A-F(R1) | 20, 22 | AN3420-12(R1) | φ 15.9 max |
| 0 | DMS3057-16A-F(R1) | 24, 28 | AN3420-16(R1) | φ 19.1 max |
| 0 | DMS3057-20A-F(R1) | 32 | AN3420-20(R1) | φ 23.8 max |
| 0 | DMS3057-24A-F(R1) | 36 | AN3420-24(R1) | φ 31.8 max |

AN3420- □□ is an accessory which is designed to tighten the cable.

When you need thinner cable, you can duplicate or triplicate the rubber bushings.

Table 2

| Number | Cable Clamp P/N | Shell Size | Bushing Used | Applicable Cable Diameter |
|--------|--------------------|------------|---------------------|---------------------------|
| 1 | CE3057-4A-1-F(R1) | 10SL, 12S | CE3420-4-1(R1) | φ 3.6 - φ 5.6 |
| 1 | CE3057-6A-1-F(R1) | 14S | CE3420-6-1(R1) | φ 7.0 - φ 9.0 |
| 1 | CE3057-8A-1-F(R1) | 16S, 16 | CE3420-8-1(R1) | φ 10.0 - φ 12.0 |
| 2 | CE3057-8A-2-F(R1) | | CE3420-8-2(R1) | φ 8.5 - φ 10.5 |
| 1 | CE3057-10A-1-F(R1) | 18 | CE3420-10-1(R1) | φ 10.5 - φ 14.1 |
| 2 | CE3057-10A-2-F(R1) | | CE3420-10-2(R1) | φ 8.5 - φ 11.0 |
| 3 | CE3057-10A-3-F(R1) | | CE3420-10-3(R1) | φ 6.5 - φ 8.7 |
| 1 | CE3057-12A-1-F(R1) | 20, 22 | CE3420-12-1(R1) | φ 12.5 - φ 16.0 |
| 2 | CE3057-12A-2-F(R1) | | CE3420-12-2(R1) | φ 9.5 - φ 13.0 |
| 3 | CE3057-12A-3-F(R1) | | CE3420-12-3(R1) | φ 6.8 - φ 10.0 |
| 7 | CE3057-12A-7-F(R1) | | CE3420-12-7(R1) | φ 14.5 - φ 17.0 |
| 1 | CE3057-16A-1-F(R1) | 24, 28 | CE3420-16-1(R1) | φ 15.0 - φ 19.1 |
| 2 | CE3057-16A-2-F(R1) | | CE3420-16-2 | φ 13.0 - φ 15.5 |
| 4 | CE3057-16A-4-F(R1) | | CZY005-GB-3(R1) | φ 19.1 - φ 21.5 |
| 6 | CE3057-16A-6-F(R1) | | CE3420-16-6 | φ 18.5 - φ 20.0 |
| 7 | CE3057-16A-7-F(R1) | | CE3420-16-7 | φ 11.5 - φ 13.5 |
| 8 | CE3057-16A-8-F(R1) | | CZY005-GB-6(R1) | φ 10.5 - φ 12.5 |
| 1 | CE3057-20A-1-F(R1) | 32 | CE3420-20-1(R1) | φ 22.0 - φ 23.8 |
| 2 | CE3057-20A-2-F(R1) | | CE3420-20-2(R1) | φ 24.0 - φ 26.6 |
| 3 | CE3057-20A-3-F(R1) | | CZY005-GB-5(R1) | φ 21.0 - φ 22.5 |
| 1 | CE3057-24A-1-F(R1) | 36 | CE3420-24-1(R1) | φ 30.0 - φ 32.5 |
| 2 | CE3057-24A-2-F(R1) | | CE3420-24-2(R1) | φ 27.5 - φ 29.6 |
| 3 | CE3057-24A-3-F(R1) | | AN3420-24(D246)(R1) | φ 29.0 - φ 31.0 |

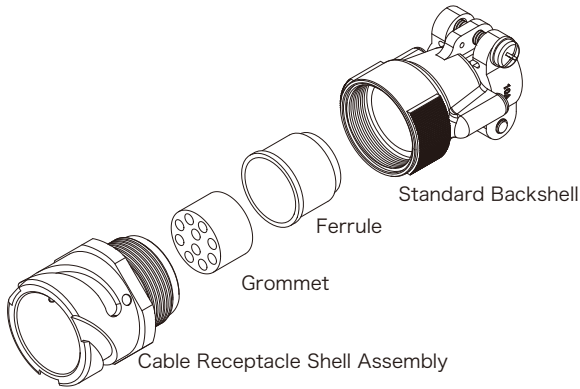
© Specifications and/or dimensions in this catalog are subject to change without notice.

Please verify the latest specifications with our drawings.

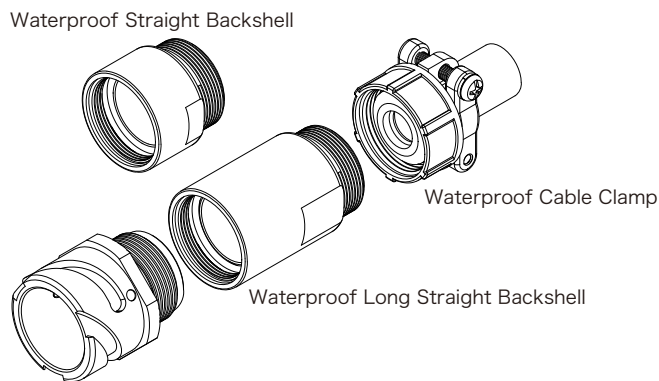
▶ Cable Receptacle Connector

DCA3101E □□□□ - □□□□ -F- □□□ - □ (R1)

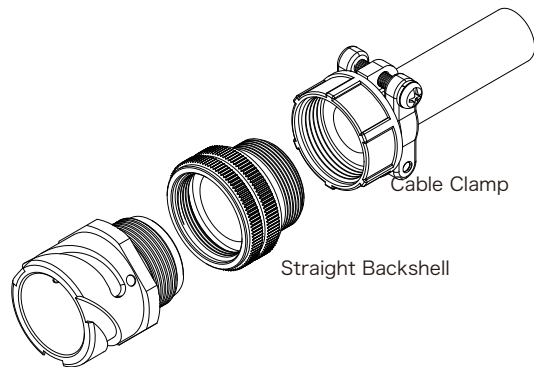
DCA3101E □□□□ - □□□□ - F(R1)



DCA3101E □□□□ - □□□□ -F- BS □ - □ (R1)



DCA3101E □□□□ - □□□□ -F- BSN - 0(R1)



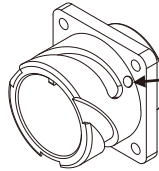
© Specifications and/or dimensions in this catalog are subject to change without notice.
Please verify the latest specifications with our drawings.

▶ Box Mounting Receptacle Connector

DCA3102E □□□□ - □□□□ -F(R1)

DCA3102R □□□□ - □□□□ -F(R1)(With Gasket)

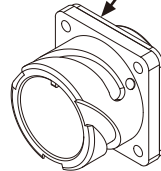
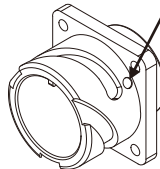
DCA3102E □□□□ - □□□□ -F(R1)



Marking for locking end indication

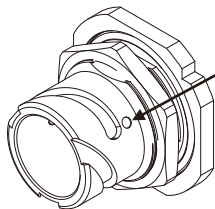
With Gasket

DCA3102R □□□□ - □□□□ -F(R1)



▶ Jam-Nut Receptacle Connector

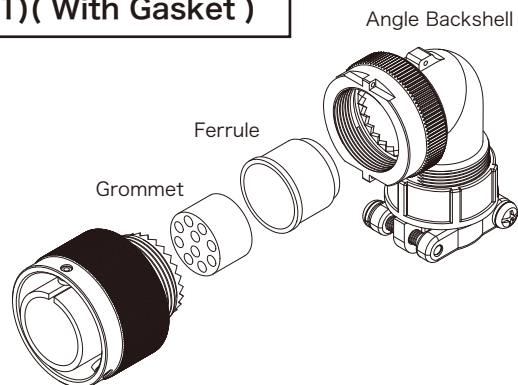
DCA3107E □□□□ - □□□□ -F(R1)



Marking for locking end indication

▶ Angle Backshell

DCA3108F □□□□ - □□□□ -F(R1)(With Gasket)



Plug Shell Assembly

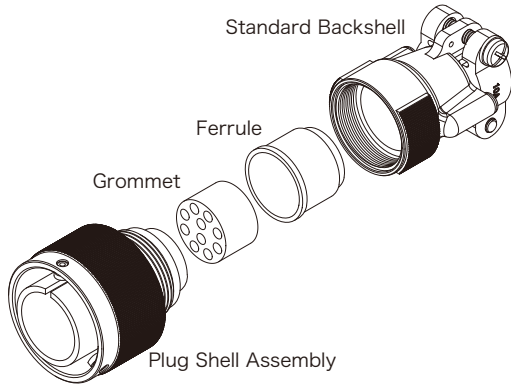
Angle Backshell

© Specifications and/or dimensions in this catalog are subject to change without notice.
Please verify the latest specifications with our drawings.

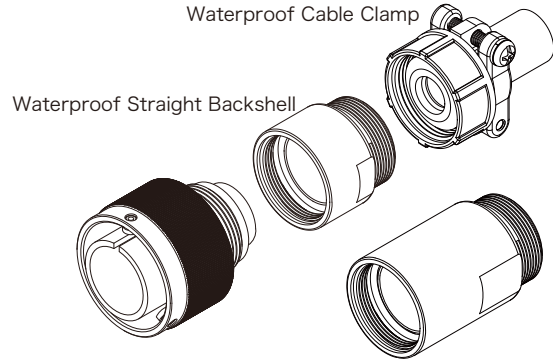
▶ Straight Plug Connector

DCA3106F □□□□ - □□□□ -F (R1)(With Gasket)

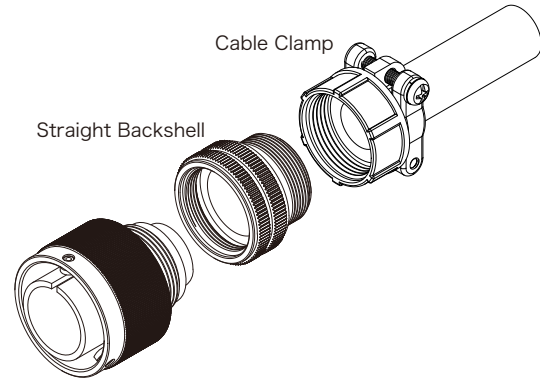
DCA3106F □□□□ - □□□□ -F(R1)



DCA3106F □□□□ - □□□□ -F- BS □ - □ (R1)

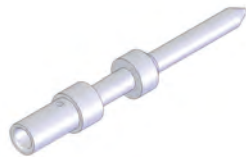


DCA3106F □□□□ - □□□□ -F- BSN - 0(R1)



▶ Contact

Crimp Type



Pin Contact
DMSE- # □□ P-C □



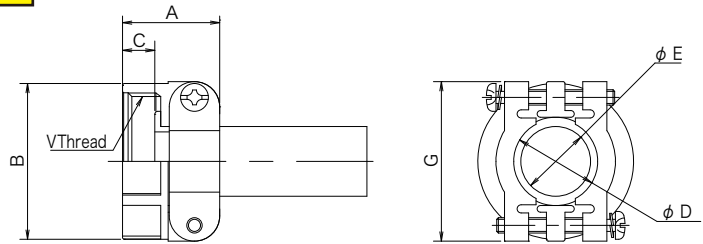
Socket Contact
DMSE- # □□ S-C □

© Specifications and/or dimensions in this catalog are subject to change without notice.
Please verify the latest specifications with our drawings.

▶ Applicable Clamp

With non-waterproof Cable Clamp

DMS3057- □□ A-F(R1)

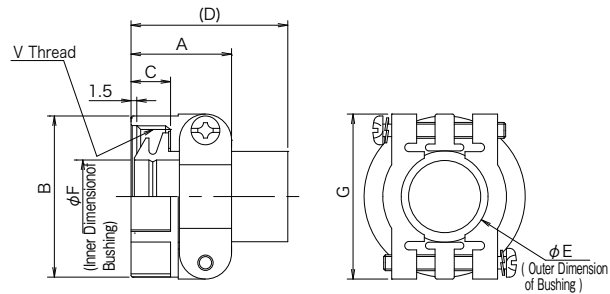


※ Applicable Cable Diameter
0 : With non-waterproof cable clamp

| ※ ⑩ | Part Number | Shell Size | A±0.7 | B±0.7 | C | D | E | G±0.7 | V | Bushing Part Number |
|-----|-------------------|------------|-------|-------|------|------|------|-------|------------------|---------------------|
| 0 | DMS3057-4A-F(R1) | 10SL,12S | 20.6 | 20.6 | 10.3 | 7.9 | 5.6 | 22.2 | 5/8-24UNEF-2B | AN3420-4(R1) |
| 0 | DMS3057-6A-F(R1) | 14S | 22.2 | 24.6 | 10.3 | 11.2 | 7.9 | 27.0 | 3/4-20UNEF-2B | AN3420-6(R1) |
| 0 | DMS3057-8A-F(R1) | 16S,16 | 23.8 | 27.8 | 10.3 | 14.3 | 11.1 | 29.4 | 7/8-20UNEF-2B | AN3420-8(R1) |
| 0 | DMS3057-10A-F(R1) | 18 | 23.8 | 30.1 | 10.3 | 15.9 | 14.3 | 31.7 | 1-20UNEF-2B | AN3420-10(R1) |
| 0 | DMS3057-12A-F(R1) | 20,22 | 23.8 | 35.0 | 10.3 | 19.0 | 15.9 | 37.3 | 1 3/16-18UNEF-2B | AN3420-12(R1) |
| 0 | DMS3057-16A-F(R1) | 24,28 | 26.2 | 42.1 | 10.3 | 23.8 | 19.1 | 42.9 | 1 7/16-18UNEF-2B | AN3420-16(R1) |
| 0 | DMS3057-20A-F(R1) | 32 | 27.8 | 51.6 | 11.9 | 31.7 | 23.8 | 51.6 | 1 3/4-18UNS-2B | AN3420-20(R1) |
| 0 | DMS3057-24A-F(R1) | 36 | 29.4 | 56.4 | 13.5 | 34.9 | 31.8 | 58.0 | 2-18UNS-2B | AN3420-24(R1) |

With waterproof Cable Clamp

CE3057- □□ A- □ -F(R1)



※ Applicable Cable Diameter
1 ~ 8 : With waterproof cable clamp

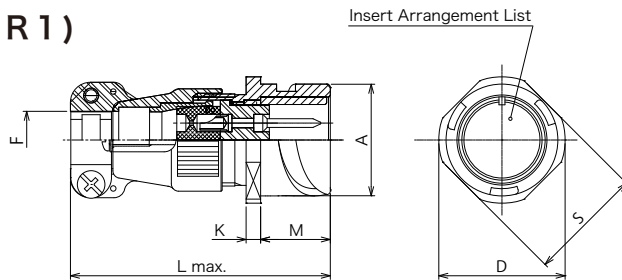
| ※ ⑩ | Part Number | Shell Size | A | B | C | (D) | E | F | G | V | Bushing Part Number | Applicable Cable | | | | | | | | |
|-----|--------------------|------------|-----------------|-----------------|-------|--------|------|------|------|------------------|-----------------------------|------------------|-------|------|------|------|------|----------------|-----------------|-----------------|
| 1 | CE3057-4A-1-F(R1) | 10SL,12S | 20.62 | 20.6 | 10.31 | (41.3) | 8.0 | 5.6 | 22.2 | 5/8-24UNEF-2B | CE3420-4-1(R1) | φ 3.6 ~ φ 5.6 | | | | | | | | |
| 1 | CE3057-6A-1-F(R1) | 14S | 22.20 | 24.6 | 10.31 | (41.3) | 10.8 | 9 | 27 | 3/4-20UNEF-2B | CE3420-6-1(R1) | φ 7.0 ~ φ 9.0 | | | | | | | | |
| 1 | CE3057-8A-1-F(R1) | 16S,16 | 23.83 | 27.8 | 10.31 | (41.3) | 14.0 | 12 | 29.4 | 7/8-20UNEF-2B | CE3420-8-1(R1) | φ 10.0 ~ φ 12.0 | | | | | | | | |
| 2 | CE3057-8A-2-F(R1) | | | | | | | 10.5 | | | CE3420-8-2(R1) | φ 8.5 ~ 10.5 | | | | | | | | |
| 1 | CE3057-10A-1-F(R1) | 18 | 23.83 | 30.1 | 10.31 | (41.3) | 15.8 | 14.1 | 31.7 | 1-20UNEF-2B | CE3420-10-1(R1) | φ 10.5 ~ φ 14.1 | | | | | | | | |
| 2 | CE3057-10A-2-F(R1) | | | | | | | 11 | | | CE3420-10-2(R1) | φ 8.5 ~ φ 11.0 | | | | | | | | |
| 3 | CE3057-10A-3-F(R1) | | | | | | | 8.7 | | | CE3420-10-3(R1) | φ 6.5 ~ φ 8.7 | | | | | | | | |
| 1 | CE3057-12A-1-F(R1) | 20 | 23.83 | 35 | 10.31 | (41.3) | 19.0 | 16 | 37.3 | 1 3/16-18UNEF-2B | CE3420-12-1(R1) | φ 12.5 ~ φ 16.0 | | | | | | | | |
| 2 | CE3057-12A-2-F(R1) | | | | | | | 13 | | | CE3420-12-2(R1) | φ 9.5 ~ φ 13.0 | | | | | | | | |
| 3 | CE3057-12A-3-F(R1) | | | | | | | 10 | | | CE3420-12-3(R1) | φ 6.8 ~ φ 10.0 | | | | | | | | |
| 7 | CE3057-12A-7-F(R1) | | | | | | | 17 | | | CE3420-12-7(R1) | φ 14.5 ~ φ 17.0 | | | | | | | | |
| 1 | CE3057-16A-1-F(R1) | 24 | 26.19 | 42.1 | 10.31 | (41.3) | 23.8 | 19.1 | 42.9 | 1 7/16-18UNEF-2B | CE3420-16-1(R1) | φ 15.0 ~ φ 19.1 | | | | | | | | |
| 2 | CE3057-16A-2-F(R1) | | | | | | | 15.5 | | | CE3420-16-2(R1) | φ 13.0 ~ φ 15.5 | | | | | | | | |
| 4 | CE3057-16A-4-F(R1) | | | | | | | 21.5 | | | J-06814 CZY005-GB-3(R1) | φ 19.1 ~ φ 21.5 | | | | | | | | |
| 6 | CE3057-16A-6-F(R1) | | | | | | | 20 | | | CE3420-16-6(R1) | φ 18.5 ~ φ 20.0 | | | | | | | | |
| 7 | CE3057-16A-7-F(R1) | | | | | | | 13.5 | | | CE3420-16-7(R1) | φ 11.5 ~ φ 13.5 | | | | | | | | |
| 8 | CE3057-16A-8-F(R1) | | | | | | | 12.5 | | | J-07369 CZY005-GB-6(MO)(R1) | φ 10.5 ~ φ 12.5 | | | | | | | | |
| 1 | CE3057-20A-1-F(R1) | | | | | | | 32 | | | 27.79 | 51.6 | 11.91 | (43) | 32.0 | 23.8 | 51.6 | 1 3/4-18UNS-2B | CE3420-20-1(R1) | φ 22.0 ~ φ 23.8 |
| 2 | CE3057-20A-2-F(R1) | | | | | | | | | | | | | | | 26.6 | | | CE3420-20-2(R1) | φ 24.0 ~ φ 26.6 |
| 3 | CE3057-20A-3-F(R1) | 22.5 | CZY005-GB-5(R1) | φ 21.0 ~ φ 22.5 | | | | | | | | | | | | | | | | |
| 1 | CE3057-24A-1-F(R1) | 36 | 29.4 | 56.4 | 13.5 | (45.8) | 34.6 | 32.5 | 58.0 | 2-18UNS-2B | CE3420-24-1(R1) | φ 30.0 ~ φ 32.5 | | | | | | | | |
| 2 | CE3057-24A-2-F(R1) | | | | | | | 29.6 | | | CE3420-24-2(R1) | φ 27.5 ~ φ 29.6 | | | | | | | | |
| 3 | CE3057-24A-3-F(R1) | | | | | | | 31 | | | AN3420-24(D264)(R1) | φ 29.0 ~ φ 31.0 | | | | | | | | |

© Specifications and/or dimensions in this catalog are subject to change without notice.
Please verify the latest specifications with our drawings.

▶ Cable Receptacle Connector

DCA3101E18 - □□ P □□ -F(R1)

① ② ③ ④ ⑤ ⑥ ⑦ ⑧



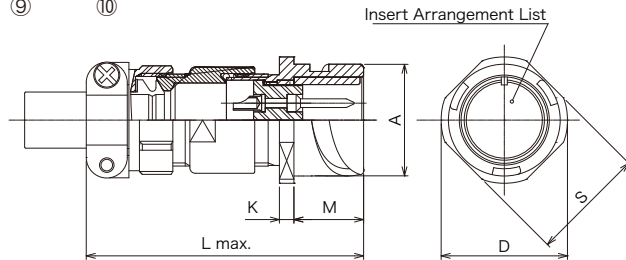
| | |
|-----------------------------|--|
| ① Connector Series | 3101 : Cable Receptacle Connector |
| ② Gasket | E : Less Gasket |
| ③ Shell Size | 10SL, 12S, 14S, 16S, 16, 18, 20, 22, 24, 28, 32, 36 |
| ④ Insert Arrangement | Refer to page 2 ~ 3 |
| ⑤ Contact Type | P : Pin contacts S : Socket contacts PC : Crimp pin contacts SC : Crimp socket contacts |
| ⑥ Alternate Insert Position | Omit : Normal position "W", "X", "Y", "Z" : Refer to page 4 |
| ⑦ Contact Plating Finish | Omit : Silver Plating G : Gold Plating |
| ⑧ Finish | F : Cation Electroplating(Black) |

| Shell Size | φ A | K±0.5 | L | M | φ D | S±0.5 | φ F±0.2 |
|------------|------|-------|------|------|------|-------|---------|
| 10SL | 18.2 | 2.8 | 53.9 | 14.4 | 25.4 | 20.6 | 8.0 |
| 12S | 21.4 | 3.2 | 52.9 | 14.4 | 27.8 | 23.6 | 8.3 |
| 14S | 24.6 | 3.2 | 55.4 | 14.4 | 29.8 | 25.4 | 11.1 |
| 16S | 27.4 | 3.2 | 59.7 | 14.4 | 32.3 | 28.6 | 14.2 |
| 16 | 27.4 | 4.0 | 69.2 | 19.2 | 32.3 | 28.6 | 14.2 |
| 18 | 30.8 | 4.0 | 71.6 | 19.2 | 34.8 | 31.7 | 15.8 |
| 20 | 34.2 | 4.0 | 71.8 | 19.2 | 37.8 | 34.9 | 19.1 |
| 22 | 37.4 | 4.0 | 72.8 | 19.2 | 41.1 | 38.1 | 19.1 |
| 24 | 40.9 | 4.0 | 78.5 | 20.8 | 44.6 | 41.3 | 24.0 |
| 28 | 46.7 | 4.0 | 78.8 | 20.8 | 50.9 | 47.6 | 24.0 |
| 32 | 53.4 | 4.0 | 78.9 | 22.4 | 57.1 | 54.0 | 32.0 |
| 36 | 59.6 | 4.0 | 75.4 | 22.4 | 63.6 | 60.6 | 38.0 |

▶ Cable Receptacle Connector

DCA3101E18- □□ P □□ -F-BSS- □ (R1)

① ② ③ ④ ⑤ ⑥ ⑦ ⑧ ⑨ ⑩



◎ Cable clamp (CE3057- □□ A- □ -F) is available.

| | |
|-----------------------------|--|
| ① Connector Series | 3101 : Cable Receptacle |
| ② Gasket | E : Less Gasket |
| ③ Shell Size | 10SL, 12S, 14S, 16S, 16, 18, 20, 22, 24, 28, 32, 36 |
| ④ Insert Arrangement | Refer to page 2 ~ 3 |
| ⑤ Contact Type | P : Pin contacts S : Socket contacts PC : Crimp pin contacts SC : Crimp socket contacts |
| ⑥ Alternate Insert Position | Omit : Normal position "W", "X", "Y", "Z" : Refer to page 4 |
| ⑦ Contact Plating Finish | Omit : Silver Plating G : Gold Plating |
| ⑧ Finish | F : Cation Electroplating(Black) |
| ⑨ Backshell | BSS : Waterproof Straight Backshell |
| ⑩ Applicable Cable Diameter | 1 ~ 8 : With waterproof cable clamp |

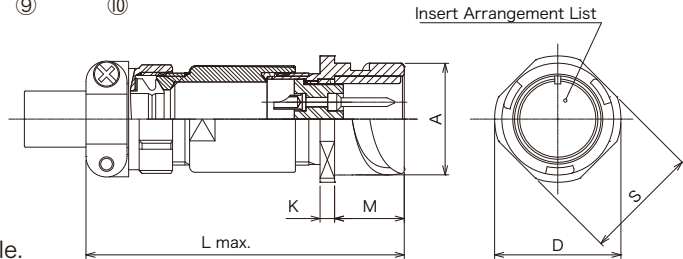
| Shell Size | φ A | K±0.5 | L | M | φ D | S±0.5 |
|------------|------|-------|-------|------|------|-------|
| 10SL | 18.2 | 2.8 | 59.6 | 14.4 | 25.4 | 20.6 |
| 12S | 21.4 | 3.2 | 58.0 | 14.4 | 27.8 | 23.6 |
| 14S | 24.6 | 3.2 | 65.7 | 14.4 | 29.8 | 25.4 |
| 16S | 27.4 | 3.2 | 66.4 | 14.4 | 32.3 | 28.6 |
| 16 | 27.4 | 4.0 | 75.9 | 19.2 | 32.3 | 28.6 |
| 18 | 30.8 | 4.0 | 76.4 | 19.2 | 34.8 | 31.7 |
| 20 | 34.2 | 4.0 | 78.5 | 19.2 | 37.8 | 34.9 |
| 22 | 37.4 | 4.0 | 84.1 | 19.2 | 41.1 | 38.1 |
| 24 | 40.9 | 4.0 | 91.1 | 20.8 | 44.6 | 41.3 |
| 28 | 46.7 | 4.0 | 98.5 | 20.8 | 50.9 | 47.6 |
| 32 | 53.4 | 4.0 | 107.8 | 22.4 | 57.1 | 54.0 |
| 36 | 59.6 | 4.0 | 109.8 | 22.4 | 63.6 | 60.6 |

◎ Specifications and/or dimensions in this catalog are subject to change without notice.
Please verify the latest specifications with our drawings.

▶ Cable Receptacle Connector

DCA3101E18 - □□ P □□ -F-BSL- □ (R1)

① ② ③ ④ ⑤ ⑥ ⑦ ⑧ ⑨ ⑩



◎ Cable clamp (CE3057- □□ A- □ -F) is available.

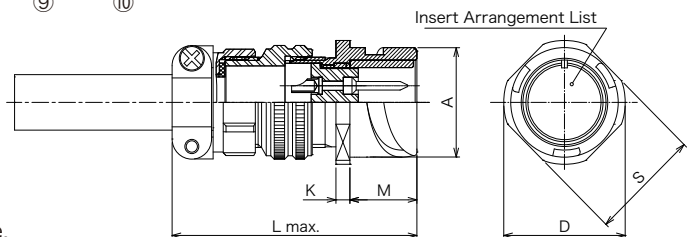
| | |
|-----------------------------|--|
| ① Connector Series | 3101 : Cable Receptacle |
| ② Gasket | E : Less Gasket |
| ③ Shell Size | 10SL, 12S, 14S, 16S, 16, 18, 20, 22, 24, 28, 32, 36 |
| ④ Insert Arrangement | Refer to page 2 ~ 3 |
| ⑤ Contact Type | P : Pin contacts S : Socket contacts PC : Crimp pin contacts SC : Crimp socket contacts |
| ⑥ Alternate Insert Position | Omit : Normal position "W", "X", "Y", "Z" : Refer to page 4 |
| ⑦ Contact Plating Finish | Omit : Silver Plating G : Gold Plating |
| ⑧ Finish | F : Cation Electroplating(Black) |
| ⑨ Backshell | BSL : With waterproof Long straight backshell |
| ⑩ Applicable Cable Diameter | 1 ~ 8 : With waterproof cable clamp |

| Shell Size | φ A | K±0.5 | L | M | φ D | S±0.5 |
|------------|------|-------|-------|------|------|-------|
| 10SL | 18.2 | 2.8 | 79.5 | 14.4 | 25.4 | 20.6 |
| 12S | 21.4 | 3.2 | 79.0 | 14.4 | 27.8 | 23.6 |
| 14S | 24.6 | 3.2 | 85.7 | 14.4 | 29.8 | 25.4 |
| 16S | 27.4 | 3.2 | 86.4 | 14.4 | 32.3 | 28.6 |
| 16 | 27.4 | 4.0 | 95.9 | 19.2 | 32.3 | 28.6 |
| 18 | 30.8 | 4.0 | 96.4 | 19.2 | 34.8 | 31.7 |
| 20 | 34.2 | 4.0 | 98.5 | 19.2 | 37.8 | 34.9 |
| 22 | 37.4 | 4.0 | 104.1 | 19.2 | 41.1 | 38.1 |
| 24 | 40.9 | 4.0 | 111.1 | 20.8 | 44.6 | 41.3 |
| 28 | 46.7 | 4.0 | 118.5 | 20.8 | 50.9 | 47.6 |
| 32 | 53.4 | 4.0 | 127.3 | 22.4 | 57.1 | 54.0 |
| 36 | 59.6 | 4.0 | 129.8 | 22.4 | 63.6 | 60.6 |

▶ Cable Receptacle Connector

DCA3101E18 - □□ P □□ -F-BSN-0(R1)

① ② ③ ④ ⑤ ⑥ ⑦ ⑧ ⑨ ⑩



◎ Cable clamp (DMS3057- □□ A-F) is available.

| | |
|-----------------------------|--|
| ① Connector Series | 3101 : Cable Receptacle |
| ② Gasket | E : Less Gasket |
| ③ Shell Size | 10SL, 12S, 14S, 16S, 16, 18, 20, 22, 24, 28, 32, 36 |
| ④ Insert Arrangement | Refer to page 2 ~ 3 |
| ⑤ Contact Type | P : Pin contacts S : Socket contacts PC : Crimp pin contacts SC : Crimp socket contacts |
| ⑥ Alternate Insert Position | Omit : Normal position "W", "X", "Y", "Z" : Refer to page 4 |
| ⑦ Contact Plating Finish | Omit : Silver Plating G : Gold Plating |
| ⑧ Finish | F : Cation Electroplating(Black) |
| ⑨ Backshell | BSN : With non - waterproof straight backshell |
| ⑩ Applicable Cable Diameter | 0 : With non - waterproof cable clamp |

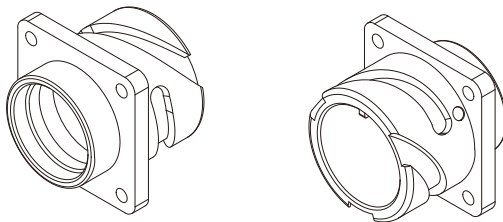
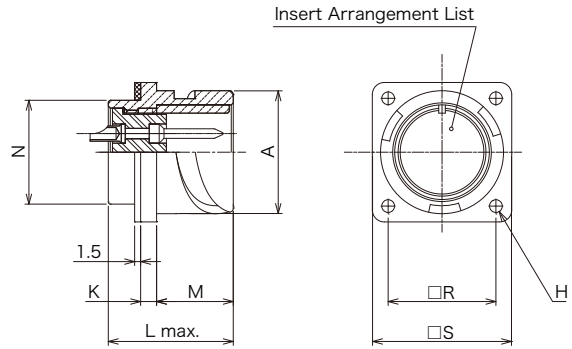
| Shell Size | φ A | K±0.5 | L | M | φ D | S±0.5 |
|------------|------|-------|------|------|------|-------|
| 10SL | 18.2 | 2.8 | 54.9 | 14.4 | 25.4 | 20.6 |
| 12S | 21.4 | 3.2 | 56.4 | 14.4 | 27.8 | 23.6 |
| 14S | 24.6 | 3.2 | 56.9 | 14.4 | 29.8 | 25.4 |
| 16S | 27.4 | 3.2 | 59.6 | 14.4 | 32.3 | 28.6 |
| 16 | 27.4 | 4.0 | 69.1 | 19.2 | 32.3 | 28.6 |
| 18 | 30.8 | 4.0 | 70.2 | 19.2 | 34.8 | 31.7 |
| 20 | 34.2 | 4.0 | 74.2 | 19.2 | 37.8 | 34.9 |
| 22 | 37.4 | 4.0 | 73.6 | 19.2 | 41.1 | 38.1 |
| 24 | 40.9 | 4.0 | 76.8 | 20.8 | 44.6 | 41.3 |
| 28 | 46.7 | 4.0 | 79.9 | 20.8 | 50.9 | 47.6 |
| 32 | 53.4 | 4.0 | 79.1 | 22.4 | 57.1 | 54.0 |
| 36 | 59.6 | 4.0 | 79.7 | 22.4 | 63.6 | 60.6 |

◎ Specifications and/or dimensions in this catalog are subject to change without notice.
Please verify the latest specifications with our drawings.

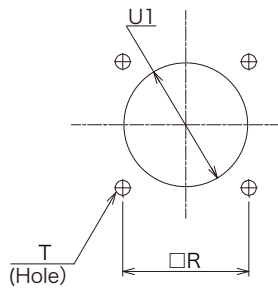
▶ Box Receptacle Connector

DCA3102R18- □□ P □□ -F(R1)
 ① ② ③ ④ ⑤ ⑥ ⑦ ⑧

| | |
|-----------------------------|--|
| ① Connector Series | 3102 : Box Receptacle |
| ② Gasket | E : Less Gasket R : With Gasket |
| ③ Shell Size | 10SL, 12S, 14S, 16S, 16, 18, 20, 22, 24, 28, 32, 36 |
| ④ Insert Arrangement | Refer to page 2 ~ 3 |
| ⑤ Contact Type | P : Pin contacts S : Socket contacts PC : Crimp pin contacts SC : Crimp socket contacts |
| ⑥ Alternate Insert Position | Omit : Normal position "W", "X", "Y", "Z" : Refer to page 4 |
| ⑦ Contact Plating Finish | Omit : Silver Plating G : Gold Plating |
| ⑧ Finish | F : Cation Electroplating(Black) |



| Shell Size | φ A | K±0.5 | L | M | φ N±0.5 | R±0.2 | S±0.5 | φ H |
|------------|------|-------|------|------|---------|-------|-------|-----|
| 10SL | 18.2 | 2.8 | 25.0 | 14.4 | 14.5 | 18.26 | 25.4 | 3.0 |
| 12S | 21.4 | 3.2 | 26.0 | 14.4 | 15.8 | 20.62 | 27.8 | 3.3 |
| 14S | 24.6 | 3.2 | 26.0 | 14.4 | 19.0 | 23.01 | 30.18 | 3.3 |
| 16S | 27.4 | 3.2 | 25.5 | 14.4 | 22.0 | 24.61 | 32.54 | 3.3 |
| 16 | 27.4 | 4.0 | 31.3 | 19.2 | 22.0 | 24.61 | 32.54 | 3.3 |
| 18 | 30.8 | 4.0 | 31.3 | 19.2 | 26.0 | 26.94 | 34.93 | 3.3 |
| 20 | 34.2 | 4.0 | 32.1 | 19.2 | 29.0 | 29.36 | 38.1 | 3.3 |
| 22 | 37.4 | 4.0 | 35.0 | 19.2 | 32.0 | 31.75 | 41.28 | 3.3 |
| 24 | 40.9 | 4.0 | 35.0 | 20.8 | 35.3 | 34.93 | 45.0 | 3.8 |
| 28 | 46.7 | 4.0 | 36.0 | 20.8 | 42.0 | 39.67 | 50.8 | 3.8 |
| 32 | 53.4 | 4.0 | 39.0 | 22.4 | 47.3 | 44.45 | 57.15 | 4.5 |
| 36 | 59.6 | 4.0 | 39.5 | 22.4 | 53.3 | 49.23 | 63.5 | 4.5 |



Panel Mounting Dimension (reference)
Front Mounting

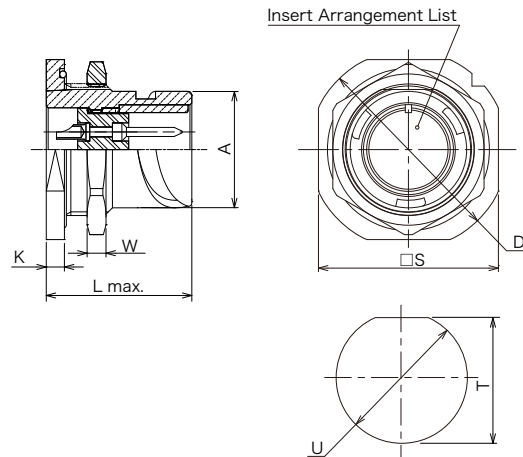
| Shell Size | R±0.12 | φ U1 | φ T |
|------------|--------|------|------|
| 10SL | 18.26 | 15.5 | 3.05 |
| 12S | 20.62 | 16.8 | 3.05 |
| 14S | 23.01 | 20.0 | 3.05 |
| 16S | 24.61 | 23.0 | 3.05 |
| 16 | 24.61 | 22.9 | 3.05 |
| 18 | 26.94 | 27.0 | 3.05 |
| 20 | 29.36 | 30.0 | 3.05 |
| 22 | 31.75 | 33.0 | 3.05 |
| 24 | 34.93 | 36.3 | 3.75 |
| 28 | 39.67 | 43.0 | 3.75 |
| 32 | 44.45 | 48.3 | 4.40 |
| 36 | 49.23 | 54.3 | 4.40 |

© Specifications and/or dimensions in this catalog are subject to change without notice.
Please verify the latest specifications with our drawings.

▶ Jam-Nut Receptacle Connector

DCA3107E18- □ □ P □ □ -F(R1)
 ① ② ③ ④ ⑤ ⑥ ⑦ ⑧

| | |
|-----------------------------|--|
| ① Connector Series | 3107E : Jam-Nut Receptacle |
| ② Gasket | E : Less Gasket |
| ③ Shell Size | 10SL, 12S, 14S, 16S, 16, 18, 20, 22, 24, 28, 32, 36 |
| ④ Insert Arrangement | Refer to page 2 ~ 3 |
| ⑤ Contact Type | P : Pin contacts S : Socket contacts PC : Crimp pin contacts SC : Crimp socket contacts |
| ⑥ Alternate Insert Position | Omit : Normal position "W", "X", "Y", "Z" : Refer to page 4 |
| ⑦ Contact Plating Finish | Omit : Silver Plating G : Gold Plating |
| ⑧ Finish | F : Cation Electroplating(Black) |

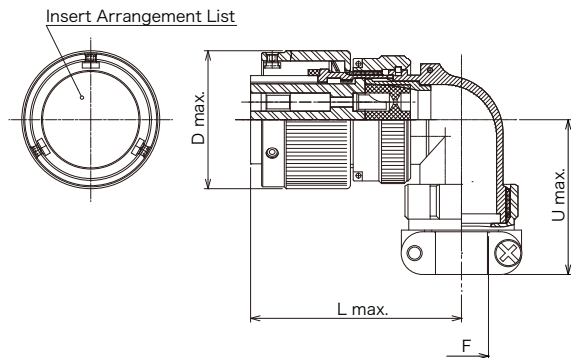


| Shell Size | φ A | K±0.5 | L | W | φ D | S±0.5 | T | φ U | Panel thickness(mm) |
|------------|------|-------|------|-----|------|-------|------|------|---------------------|
| 10SL | 18.2 | 4.0 | 28.5 | 4.0 | 35.0 | 31.8 | 20.9 | 22.7 | 3.5 ~ 7.0 |
| 12S | 21.4 | 3.2 | 29.2 | 4.0 | 38.1 | 34.9 | 24.1 | 25.7 | 3.5 ~ 8.0 |
| 14S | 24.6 | 4.8 | 31.6 | 4.0 | 47.6 | 41.3 | 27.2 | 28.8 | 5.5 ~ 9.0 |
| 16S | 27.4 | 4.8 | 31.6 | 4.0 | 50.9 | 44.4 | 30.4 | 32.0 | 5.5 ~ 9.0 |
| 16 | 27.4 | 4.8 | 36.9 | 4.0 | 50.9 | 44.4 | 30.4 | 32.0 | 3.0 ~ 5.0 |
| 18 | 30.8 | 4.8 | 38.5 | 5.0 | 52.4 | 47.6 | 33.6 | 35.1 | 3.0 ~ 6.5 |
| 20 | 34.2 | 4.8 | 38.5 | 5.0 | 55.5 | 50.8 | 36.8 | 38.2 | 3.0 ~ 6.5 |
| 22 | 37.4 | 4.8 | 38.5 | 5.0 | 63.6 | 54.2 | 39.9 | 42.0 | 3.5 ~ 6.5 |
| 24 | 40.9 | 4.8 | 38.5 | 5.0 | 63.6 | 57.2 | 43.1 | 44.7 | 3.0 ~ 6.5 |
| 28 | 46.7 | 5.6 | 40.8 | 5.0 | 69.7 | 63.5 | 49.2 | 51.1 | 4.0 ~ 8.0 |
| 32 | 53.4 | 5.6 | 40.8 | 5.0 | 78.0 | 69.8 | 55.7 | 57.4 | 4.0 ~ 8.0 |
| 36 | 59.6 | 5.6 | 40.8 | 5.0 | 90.0 | 76.2 | 62.0 | 63.8 | 4.0 ~ 8.0 |

▶ Angle Plug Connector

DCA3108F18- □ □ P □ □ -F(R1)
 ① ② ③ ④ ⑤ ⑥ ⑦ ⑧

| | |
|-----------------------------|--|
| ① Connector Series | 3108 : Angle Plug |
| ② Gasket | F : With Gasket |
| ③ Shell Size | 10SL, 12S, 14S, 16S, 16, 18, 20, 22, 24, 28, 32, 36 |
| ④ Insert Arrangement | Refer to page 2 ~ 3 |
| ⑤ Contact Type | P : Pin contacts S : Socket contacts PC : Crimp pin contacts SC : Crimp socket contacts |
| ⑥ Alternate Insert Position | Omit : Normal position "W", "X", "Y", "Z" : Refer to page 4 |
| ⑦ Contact Plating Finish | Omit : Silver Plating G : Gold Plating |
| ⑧ Finish | F : Cation Electroplating(Black) |

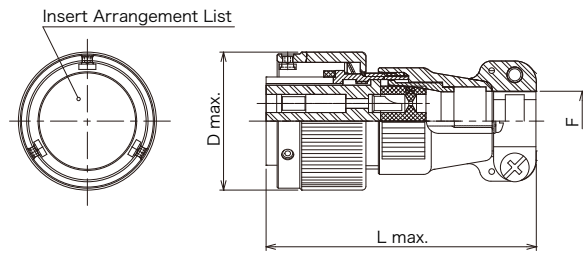


| Shell Size | φ D | L | U | F±0.2 |
|------------|------|------|------|-------|
| 10SL | 22.8 | 44.7 | 32.2 | 8.0 |
| 12S | 25.6 | 43.4 | 32.2 | 8.3 |
| 14S | 29.2 | 46.5 | 34.8 | 11.1 |
| 16S | 32.0 | 50.9 | 42.0 | 14.2 |
| 16 | 32.0 | 56.2 | 42.0 | 14.2 |
| 18 | 36.5 | 55.8 | 41.0 | 15.8 |
| 20 | 39.9 | 58.8 | 42.3 | 19.1 |
| 22 | 43.1 | 63.0 | 45.9 | 19.1 |
| 24 | 46.6 | 64.9 | 48.7 | 24.0 |
| 28 | 53.4 | 66.4 | 51.2 | 24.0 |
| 32 | 59.7 | 73.9 | 62.3 | 32.0 |
| 36 | 66.0 | 72.8 | 66.1 | 38.0 |

© Specifications and/or dimensions in this catalog are subject to change without notice.
Please verify the latest specifications with our drawings.

▶ Straight Plug Connector

DCA3106F18-□□P□□-F(R1)
 ① ② ③ ④ ⑤ ⑥ ⑦ ⑧

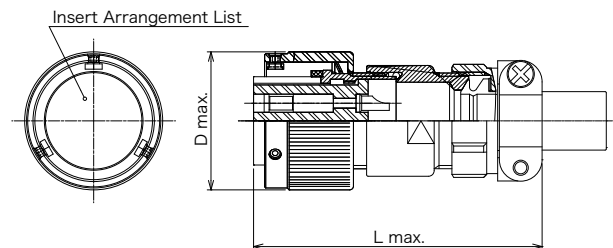


| | |
|-----------------------------|--|
| ① Connector Series | 3106 : Straight Plug |
| ② Gasket | F : With Gasket |
| ③ Shell Size | 10SL, 12S, 14S, 16S, 16, 18, 20, 22, 24, 28, 32, 36 |
| ④ Insert Arrangement | Refer to page 2 ~ 3 |
| ⑤ Contact Type | P : Pin contacts S : Socket contacts PC : Crimp pin contacts SC : Crimp socket contacts |
| ⑥ Alternate Insert Position | Omit : Normal position "W", "X", "Y", "Z" : Refer to page 4 |
| ⑦ Contact Plating Finish | Omit : Silver Plating G : Gold Plating |
| ⑧ Finish | F : Cation Electroplating(Black) |

| Shell Size | ϕ D | L | F \pm 0.2 |
|------------|----------|------|-------------|
| 10SL | 22.8 | 54.4 | 8.0 |
| 12S | 25.6 | 52.9 | 8.3 |
| 14S | 29.2 | 55.3 | 11.1 |
| 16S | 32.0 | 62.6 | 14.2 |
| 16 | 32.0 | 69.1 | 14.2 |
| 18 | 36.5 | 71.5 | 15.8 |
| 20 | 39.9 | 71.7 | 19.1 |
| 22 | 43.1 | 72.8 | 19.1 |
| 24 | 46.6 | 78.6 | 24.0 |
| 28 | 53.4 | 78.5 | 24.0 |
| 32 | 59.7 | 77.5 | 32.0 |
| 36 | 66.0 | 75.4 | 38.0 |

▶ Straight Plug Connector

DCA3106F18-□□P□□-F-BSS-□ (R1)
 ① ② ③ ④ ⑤ ⑥ ⑦ ⑧ ⑨ ⑩



◎ Cable clamp (CE3057-□□A-□-F) is available.

| | |
|-----------------------------|--|
| ① Connector Series | 3106 : Straight Plug |
| ② Gasket | F : With Gasket |
| ③ Shell Size | 10SL, 12S, 14S, 16S, 16, 18, 20, 22, 24, 28, 32, 36 |
| ④ Insert Arrangement | Refer to page 2 ~ 3 |
| ⑤ Contact Type | P : Pin contacts S : Socket contacts PC : Crimp pin contacts SC : Crimp socket contacts |
| ⑥ Alternate Insert Position | Omit : Normal position "W", "X", "Y", "Z" : Refer to page 4 |
| ⑦ Contact Plating Finish | Omit : Silver Plating G : Gold Plating |
| ⑧ Finish | F : Cation Electroplating(Black) |
| ⑨ Backshell | BSS : Waterproof Straight Backshell |
| ⑩ Applicable Cable Diameter | 1 ~ 8 : With waterproof cable clamp |

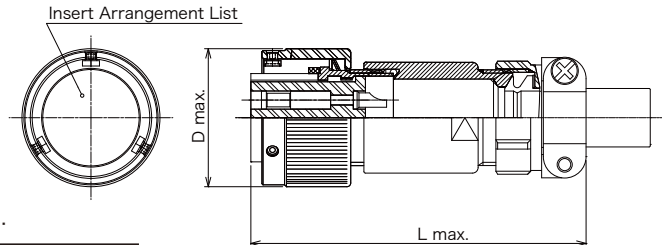
| Shell Size | ϕ D | L |
|------------|----------|-------|
| 10SL | 22.8 | 60.0 |
| 12S | 25.6 | 59.0 |
| 14S | 29.2 | 65.7 |
| 16S | 32.0 | 69.3 |
| 16 | 32.0 | 75.8 |
| 18 | 36.5 | 76.3 |
| 20 | 39.9 | 78.4 |
| 22 | 43.1 | 84.3 |
| 24 | 46.6 | 93.4 |
| 28 | 53.4 | 98.2 |
| 32 | 59.7 | 105.9 |
| 36 | 66.0 | 109.8 |

◎ Specifications and/or dimensions in this catalog are subject to change without notice.
Please verify the latest specifications with our drawings.

▶ Straight Plug Connector

DCA3106F18- □□ **P** □□ **-F-BSL-** □ (R1)

① ② ③ ④ ⑤ ⑥ ⑦ ⑧ ⑨ ⑩



◎ Cable clamp (CE3057-□□ A-□ -F) is available.

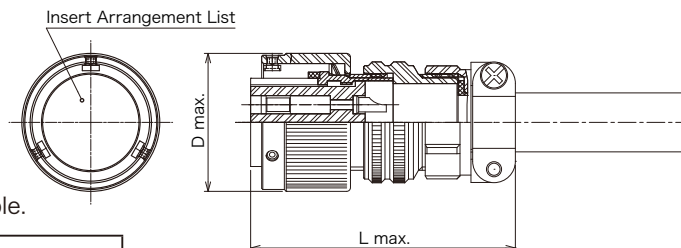
| | |
|-----------------------------|--|
| ① Connector Series | 3106 : Straight Plug |
| ② Gasket | F : With Gasket |
| ③ Shell Size | 10SL, 12S, 14S, 16S, 16, 18, 20, 22, 24, 28, 32, 36 |
| ④ Insert Arrangement | Refer to page 2 ~ 3 |
| ⑤ Contact Type | P : Pin contacts S : Socket contacts PC : Crimp pin contacts SC : Crimp socket contacts |
| ⑥ Alternate Insert Position | Omit : Normal position "W", "X", "Y", "Z" : Refer to page 4 |
| ⑦ Contact Plating Finish | Omit : Silver Plating G : Gold Plating |
| ⑧ Finish | F : Cation Electroplating(Black) |
| ⑨ Backshell | BSL : With waterproof Long straight backshell |
| ⑩ Applicable Cable Diameter | 1 ~ 8 : With waterproof cable clamp |

| Shell Size | φ D | L |
|------------|------|-------|
| 10SL | 22.8 | 80.0 |
| 12S | 25.6 | 79.0 |
| 14S | 29.2 | 85.7 |
| 16S | 32.0 | 89.3 |
| 16 | 32.0 | 95.8 |
| 18 | 36.5 | 96.3 |
| 20 | 39.9 | 98.4 |
| 22 | 43.1 | 104.1 |
| 24 | 46.6 | 113.4 |
| 28 | 53.4 | 118.1 |
| 32 | 59.7 | 125.9 |
| 36 | 66.0 | 129.8 |

▶ Straight Plug Connector

DCA3106F18- □□ **P** □□ **-F-BSN-0**(R1)

① ② ③ ④ ⑤ ⑥ ⑦ ⑧ ⑨ ⑩



◎ Cable clamp (DMS3057-□□ A-F) is available.

| | |
|-----------------------------|--|
| ① Connector Series | 3106 : Straight Plug |
| ② Gasket | F : With Gasket |
| ③ Shell Size | 10SL, 12S, 14S, 16S, 16, 18, 20, 22, 24, 28, 32, 36 |
| ④ Insert Arrangement | Refer to page 2 ~ 3 |
| ⑤ Contact Type | P : Pin contacts S : Socket contacts PC : Crimp pin contacts SC : Crimp socket contacts |
| ⑥ Alternate Insert Position | Omit : Normal position "W", "X", "Y", "Z" : Refer to page 4 |
| ⑦ Contact Plating Finish | Omit : Silver Plating G : Gold Plating |
| ⑧ Finish | F : Cation Electroplating(Black) |
| ⑨ Backshell | BSN : With non - waterproof straight backshell |
| ⑩ Applicable Cable Diameter | 0 : With non - waterproof cable clamp |

| Shell Size | φ D | L |
|------------|------|------|
| 10SL | 22.8 | 55.4 |
| 12S | 25.6 | 56.5 |
| 14S | 29.2 | 56.9 |
| 16S | 32.0 | 62.5 |
| 16 | 32.0 | 69.0 |
| 18 | 36.5 | 70.1 |
| 20 | 39.9 | 74.1 |
| 22 | 43.1 | 73.6 |
| 24 | 46.6 | 76.7 |
| 28 | 53.4 | 79.6 |
| 32 | 59.7 | 77.7 |
| 36 | 66.0 | 79.7 |

◎ Specifications and/or dimensions in this catalog are subject to change without notice.
Please verify the latest specifications with our drawings.

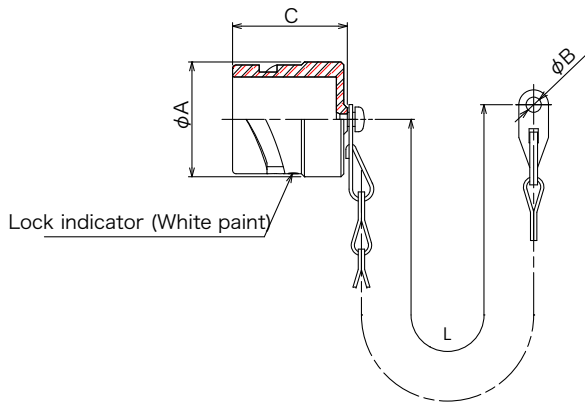
▶ Waterproof Metal Cap & Chain for Plug

DCA PC- □□□□ -F
 ① ② ③

| | |
|--------------------------------|---|
| ① Connector Style | PC : Plug Cap |
| ② Shell Size | 10SL, 12S, 14S, 16S, 16, 18, 20, 22, 24, 28, 32, 36 |
| ③ Shell Color (RoHS compliant) | F : Cation Electroplating(Black) |

Material / Finish

Aluminum Alloy / Zinc plating,
 Cation Electroplating(Black)



| Shell Size | $\phi A \pm 0.3$ | $\phi B^{+0.3}_0$ | C | L |
|------------|------------------|-------------------|------|-----|
| 10SL | 20.2 | 4.3 | 24.5 | 120 |
| 12S | 23.2 | 4.3 | 24.5 | 120 |
| 14S | 26.5 | 4.3 | 24.5 | 120 |
| 16S | 29.0 | 4.3 | 24.5 | 120 |
| 16 | 29.0 | 4.3 | 32.5 | 135 |
| 18 | 32.5 | 4.3 | 32.5 | 135 |
| 20 | 36.0 | 4.7 | 32.5 | 150 |
| 22 | 39.0 | 4.7 | 32.5 | 150 |
| 24 | 42.5 | 4.7 | 32.5 | 150 |
| 28 | 48.5 | 4.7 | 32.5 | 210 |
| 32 | 55.0 | 5.5 | 32.5 | 210 |
| 36 | 61.5 | 5.5 | 32.5 | 210 |

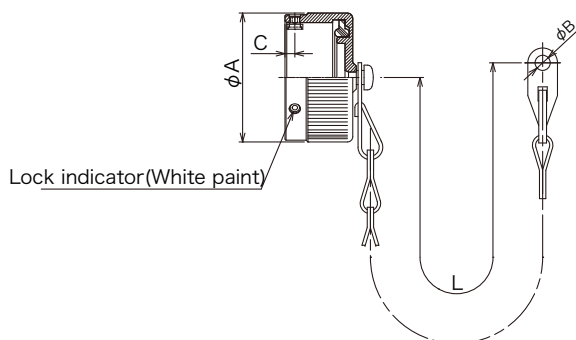
▶ Waterproof Metal Cap & Chain for Receptacle

DCA RC- □□□□ -F
 ① ② ③

| | |
|-------------------------------|---|
| ① Connector Style | RC : Receptacle Cap |
| ② Shell Size | 10SL, 12S, 14S, 16S, 16, 18, 20, 22, 24, 28, 32, 36 |
| ③ Shell Color(RoHS compliant) | F : Cation Electroplating(Black) |

Material / Finish

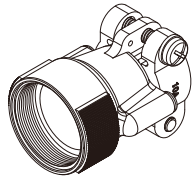
Aluminum Alloy / Zinc plating,
 Cation Electroplating(Black)



| Shell Size | $\phi A \pm 0.3$ | $\phi B^{+0.3}_0$ | C | L |
|------------|------------------|-------------------|------|-----|
| 10SL | 22.8 | 4.3 | 2.3 | 110 |
| 12S | 25.6 | 4.3 | 2.3 | 110 |
| 14S | 29.2 | 4.3 | 2.3 | 110 |
| 16S | 32.0 | 4.3 | 2.3 | 110 |
| 16 | 32.0 | 4.3 | 2.54 | 120 |
| 18 | 36.5 | 4.3 | 2.54 | 120 |
| 20 | 39.9 | 4.3 | 2.54 | 135 |
| 22 | 43.1 | 4.3 | 2.54 | 135 |
| 24 | 46.6 | 4.3 | 2.54 | 135 |
| 28 | 53.4 | 5.5 | 2.54 | 180 |
| 32 | 60.0 | 5.5 | 2.54 | 180 |
| 36 | 65.0 | 5.5 | 2.54 | 180 |

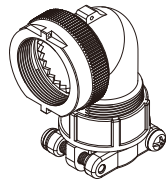
© Specifications and/or dimensions in this catalog are subject to change without notice.
 Please verify the latest specifications with our drawings.

Backshell



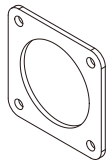
Standard Backshell

DMSE- □□□□ BS- □ -F



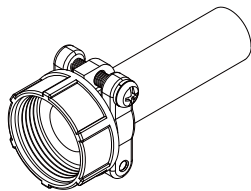
Angle Backshell

DMSE- □□□□ BA- □ -F



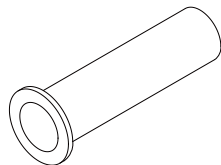
Rear Gasket of Receptacle

DMSE- □□□□ RG(R1)



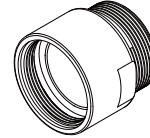
Cable Clamp

DMS3057- □□ A-F(R1)



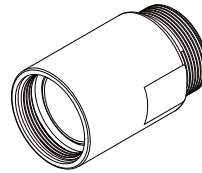
Rubber Bushing

AN3420- □□ A(R1)



Waterproof Straight Backshell

DMSE- □□□□ BSS- □ -F(R1)



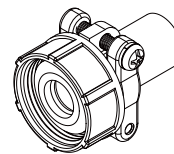
Waterproof Long Straight Backshell

DMSE- □□□□ BSSL- □ -F(R1)



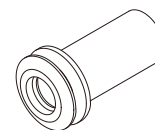
Straight Backshell

DMSE- □□□□ BSN- □ -F



Waterproof Cable Clamp

CE3057- □□ A- □ -F(R1)



Waterproof Rubber Bushing

CE3420- □□ - □ (R1)

Applicable Crimp Contacts & Crimp Tool

| Contact P/N | Contact Size | Applicable Wire AWG | Crimp Tool Body | | TOOL | | | Note |
|-------------------|--------------|------------------------|-----------------|---------|-------------------------------|--------------------|---------------------------|---|
| | | | MILITARY P/N | DMC P/N | LOCATOR DDK P/N | GAGE | Semi-automatic DMC P/N | |
| DMSE-#12P □ -C1 | #12 | 4mm ² | M22520/1-01 | AF8 | 357J-53229T (with stopper) | M22520/3-1 G125 | WA27F | |
| DMSE-#12S □ -C1 | | | | | | | | |
| DMSE-#12P □ -C2 | #12 | AWG14-12 | M22520/1-01 | AF8 | | | | |
| DMSE-#12S □ -C2 | | | | | | | | |
| DMSE-#12P □ -C3 | #12 | AWG18-16 | M22520/1-01 | AF8 | | | | |
| DMSE-#12S □ -C3 | | | | | | | | |
| DMSE-#16P □ -C1 | #16 | AWG18-16 | M22520/1-01 | AF8 | 357J-53230T (with stopper) | M22520/3-1 G125 | WA27F | Note: Stopper for 7 kinds of contacts will be attached to each locator part number. |
| DMSE-#16P □ -C1 | | | | | | | | |
| DMSE-L#16P □ -C1 | | | | | | | | |
| DMSE-SS#16S □ -C1 | | | | | | | | |
| DMSE-S#16S □ -C1 | | | | | | | | |
| DMSE-#16S □ -C1 | | | | | | | | |
| DMSE-L#16S □ -C1 | | | | | | | | |
| DMSE-#16P □ -C2 | #16 | AWG18-22 | M22520/1-01 | AF8 | | | | |
| DMSE-#16P □ -C2 | | | | | | | | |
| DMSE-L#16P □ -C2 | | | | | | | | |
| DMSE-SS#16S □ -C2 | | | | | | | | |
| DMSE-S#16S □ -C2 | | | | | | | | |
| DMSE-#16S □ -C2 | | | | | | | | |
| DMSE-L#16S □ -C2 | | | | | | | | |
| DMSE-#16P □ -C3 | #16 | AWG26-22 | M22520/1-01 | AF8 | | | | |
| DMSE-#16P □ -C3 | | | | | | | | |
| DMSE-L#16P □ -C3 | | | | | | | | |
| DMSE-SS#16S □ -C3 | | | | | | | | |
| DMSE-S#16S □ -C3 | | | | | | | | |
| DMSE-#16S □ -C3 | | | | | | | | |
| DMSE-L#16S □ -C3 | | | | | | | | |

Applicable Crimp Contacts & Crimp Tool

| Contact P/N | Contact Size | Applicable Wire AWG | DMC P/N | DMC DIE ASSEMBLY P/N | LOKATOR DDK P/N | | | |
|-----------------|--------------|---|---|----------------------|-----------------|------|--------|-------------|
| DMSE-#0P □ -C1 | #0 | AWG 0 50mm ² AWG 2 (35mm ²) AWG 4 (25mm ²) 16mm ² | WA23 | WA23-5 | 357J-53244T | | | |
| DMSE-#0P □ -C2 | | | | | | | | |
| DMSE-#0P □ -C3 | | | | | | | | |
| DMSE-#0P □ -C4 | | | | | | | | |
| DMSE-#0P □ -C5 | | | | | | | | |
| DMSE-#0S □ -C1 | | | | | | | | |
| DMSE-#0S □ -C2 | | | | | | | | |
| DMSE-#0S □ -C3 | | | | | | | | |
| DMSE-#0S □ -C4 | | | | | | | | |
| DMSE-#0S □ -C5 | | | | | | | | |
| DMSE-L#0P □ -C1 | | AWG 0 50mm ² AWG 2 (35mm ²) AWG 4 (25mm ²) | | WA23-5 | 357J-53245T | | | |
| DMSE-L#0P □ -C2 | | | | | | | | |
| DMSE-L#0P □ -C3 | | | | | | | | |
| DMSE-L#0P □ -C4 | | | | | | | | |
| DMSE-L#0P □ -C5 | | | | | | | | |
| DMSE-L#0S □ -C1 | | | | | | | | |
| DMSE-L#0S □ -C2 | | | | | | | | |
| DMSE-L#0S □ -C3 | | | | | | | | |
| DMSE-L#0S □ -C4 | | | | | | | | |
| DMSE-L#0S □ -C5 | | | | | | | | |
| DMSE-#4P □ -C1 | #4 | AWG 4 16mm ² AWG 6 10mm ² | WA23 | WA23-4 | 357J-53246T | | | |
| DMSE-#4P □ -C2 | | | | | | | | |
| DMSE-#4P □ -C3 | | | | | | | | |
| DMSE-#4P □ -C4 | | | | | | | | |
| DMSE-#4S □ -C1 | | | | | | | | |
| DMSE-#4S □ -C2 | | | | | | | | |
| DMSE-#4S □ -C3 | | | | | | | | |
| DMSE-#4S □ -C4 | | | | | | | | |
| DMSE-L#4P □ -C1 | | AWG 4 16mm ² AWG 6 10mm ² | | WA23-4 | 357J-53247T | | | |
| DMSE-L#4P □ -C2 | | | | | | | | |
| DMSE-L#4P □ -C3 | | | | | | | | |
| DMSE-L#4P □ -C4 | | | | | | | | |
| DMSE-L#4S □ -C1 | | | | | | | | |
| DMSE-L#4S □ -C2 | | | | | | | | |
| DMSE-L#4S □ -C3 | | | | | | | | |
| DMSE-L#4S □ -C4 | | | | | | | | |
| DMSE-#8P □ -C1 | #8 | | 10mm ² AWG 8 AWG 10 AWG 14/12 | | | WA23 | WA23-2 | 357J-53248T |
| DMSE-#8P □ -C2 | | | | | | | | |
| DMSE-#8P □ -C3 | | | | | | | | |
| DMSE-#8P □ -C4 | | | | | | | | |
| DMSE-#8S □ -C1 | | | | | | | | |
| DMSE-#8S □ -C2 | | | | | | | | |
| DMSE-#8S □ -C3 | | | | | | | | |
| DMSE-#8S □ -C4 | | | | | | | | |
| DMSE-L#8P □ -C1 | | 10mm ² AWG 8 AWG 10 AWG 14/12 | WA23-2 | 357J-53249T | | | | |
| DMSE-L#8P □ -C2 | | | | | | | | |
| DMSE-L#8P □ -C3 | | | | | | | | |
| DMSE-L#8P □ -C4 | | | | | | | | |
| DMSE-L#8S □ -C1 | | | | | | | | |
| DMSE-L#8S □ -C2 | | | | | | | | |
| DMSE-L#8S □ -C3 | | | | | | | | |
| DMSE-L#8S □ -C4 | | | | | | | | |

© Specifications and/or dimensions in this catalog are subject to change without notice.
Please verify the latest specifications with our drawings.