



TRANSFORMER DISCONNECTS

For Control Panel Lighting and Auxillary Power

UL and CUL Listed

TÜV Rheinland Licensed

CE Marked Series







Table of Contents

TDLK Series NEMA 1-12..... 3-4

TDEK Series NEMA 1-12 5-6

TDAK Series NEMA 1-12 7-8 Auxiliary Power

TLAK Series NEMA 1-12..... 9-10 Dual Secondary

ADLK Series NEMA 1-12..... 11-12

TDGK12 Giant Series NEMA 12..... 13

TM Series Compact Style..... 14-15

TDFM12 Series Slimline..... 16

Description	Suffix
Red on Pilot Light	R
Green on Pilot Light	G
Duplex Receptacle (NEMA 1)	D
Gasketed Duplex Receptacle	C
GFI Receptacle	F
Ground Fault Lights	Z
Delete Feature Provides	X

Dongan Electric Manufacturing Company is pleased to display its new line of Transformer Lighting Disconnects. The products in this catalog represent the most advanced series of disconnects available in the market today. Most important, these products have the approvals and certifications needed to compete and ship virtually worldwide.

All Dongan Disconnects are UL Listed and Canadian UL Listed. UL File E185781. In addition, all series, except Series TDG12, ADLK, and ADLK12, are CE Marked and Licensed for the European Union "T" Mark under the EN60204-6/30-06 Safety of Machinery Standard. These Disconnects have undergone extensive testing and certification by TÜV Rheinland and Underwriters Labs.

With Dongan Disconnects, approvals are built in - not a high cost option. Dongan Disconnects are manufactured in 11 distinct series with features to meet all your transformer lighting disconnect needs:

- NEMA 1/IP23 and NEMA 12/IP54/IP65 enclosure styles.
- Domestic and multitap European voltage combinations.
- Finger - Safe fuses and transformer terminals.
- CE Marked, TÜV Bauart Marked, copper wound transformers.
- European and domestic color coded labels and switches.
- Dongan Transformer Disconnects comply with automotive specifications.

Extensive third party approvals provide great flexibility in design variation. Contact your Dongan distributor, your Dongan Representative or the factory if the voltage combination, or configuration needed is not shown in this catalog. We would be glad to share our specialty design programs with you to provide disconnects matching the precise specifications required.



NOTE:

- Dimensions and weights may vary. Please consult factory for certified drawings.

Series TDLK

Transformer VA Capacity	Dongan Catalog No.	Pri. Max Amps	Pri. Fuse Size F1 & F2	Sec. Max Amps	Sec. Fuse Size F3*	Max Lighting Amps	Max Duplex Amps	Sec. Fuse Size F4	Approx. Weight Lbs.
250	TDLK-130	.52	1.5	2.08	2.25	2.08	—	—	27
500	TDLK-170	1.04	3.0	4.17	4.5	4.17	—	—	35
750	TDLK-190	1.56	4.5	6.25	6.25	6.25	—	—	45
1000	TDLK-200	2.08	3.25	8.33	2.0	2.00	6.33	7.0	49
1500	TDLK-210	3.13	5.0	12.50	5.0	5.00	7.50	8.0	55
2000	TDLK-230	4.17	6.25	16.67	10.0	9.00	7.50	8.0	69
3000	TDLK-250	6.25	10.0	25.00	10.0	10.00	15.00	15.0	82

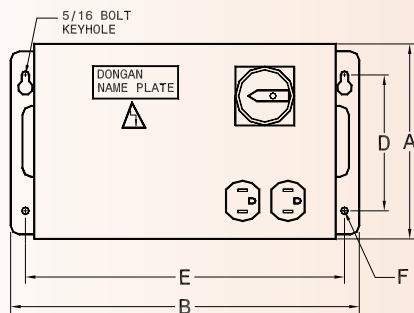
Features

- NEMA 1 / IP 23 enclosure.
- Primary Voltage: 480 VAC.
- Secondary Voltage: 120 VAC.
- 50 / 60 Hz.
- 200K AIC RATED
- One side of secondary grounded.
- Transformer is copper wound with electrostatic shield (earth metal screen).
- Finger-safe terminals.
- All overcurrent protection provided:
Primary - Class CC
Secondary - Supplementary fuses (13/32" x 1 1/2").
- Complies with automotive industry specifications.
- 3 position, padlockable cam switch.
- Duplex receptacle provided on 1000 VA through 3000 VA, optional on 250 VA - 750 VA.
- Dedicated physical earth terminal.
- Bonded door ground stud.
- Options: Green, "ON" pilot light available as additional cost option. Other voltage combinations available.

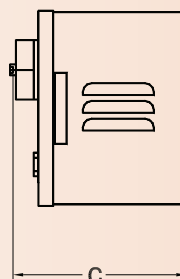
Dimensions

VA	A	B	C	D	E	F
250 - 2000	9.00	14.75	9.13	5.75	13.75	.340
3000	10.75	14.75	9.13	5.75	13.75	.340

Series TDLK Outline Drawings

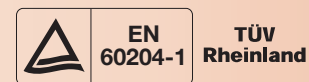


Front View

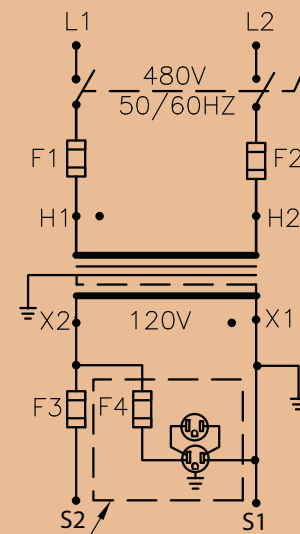


Side View

Agency Compliance



Series TDLK Schematic Drawing



Receptacle Supplied on 1 kVA and Larger

*F3 fuse size will vary if receptacle provided

Series TDLK 12

Transformer VA Capacity	Dongan Catalog No.	Pri. Max Amps	Pri. Fuse Size F1 & F2	Sec. Max Amps	Sec. Fuse Size F3*	Max Lighting Amps	Max Duplex Amps	Sec. Fuse Size F4	Approx. Weight Lbs.
250	TDLK-130	.52	1.5	2.08	2.25	2.08	—	—	29
500	TDLK-170	1.04	3.0	4.17	4.5	4.17	—	—	37
750	TDLK-190	1.56	4.5	6.25	6.25	6.25	—	—	47
1000	TDLK-200	2.08	3.25	8.33	2.0	2.00	—	—	51
1500	TDLK-210	3.13	5.0	12.50	5.0	5.00	—	—	57
2000	TDLK-230	4.17	6.25	16.67	10.0	9.00	—	—	71
3000	TDLK-250	6.25	10.0	25.00	10.0	10.00	—	—	96

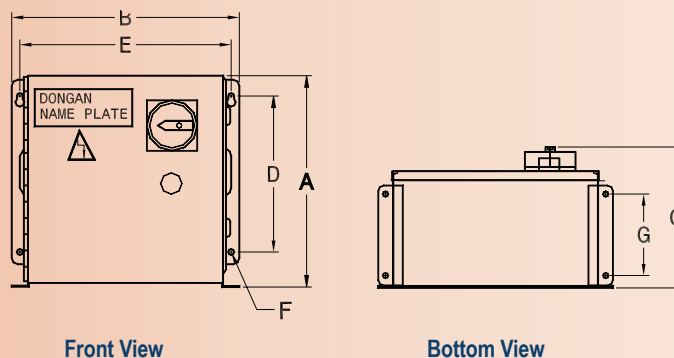
Features

- NEMA 12 / IP 54 enclosure.
- Primary Voltage: 480 VAC.
- Secondary Voltage: 120 VAC.
- 50 / 60 Hz.
- 200K AIC RATED
- One side of secondary grounded.
- Transformer is copper wound with electrostatic shield (earth metal screen).
- Finger-safe terminals.
- All overcurrent protection provided
Primary - Class CC
Secondary - Supplementary fuses (13/32" x 1 1/2").
- Complies with automotive industry specifications.
- 3 position, padlockable cam switch.
- Gasketed receptacle available as an added cost option on all sizes.
- Green "ON" pilot light provided.
- Dedicated physical earth terminal.
- Bonded door ground stud.
- Options: Other voltage combinations available.

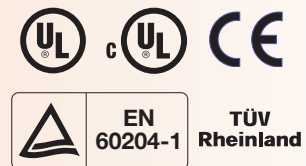
Dimensions

VA	A	B	C	D	E	F	G
250 - 2000	12.75	14.00	9.38	9.38	13.00	.340	4.63
3000	15.119	18.00	11.38	11.50	17.00	.340	7.50

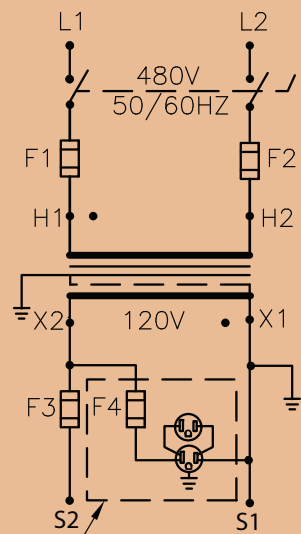
Series TDLK 12 Outline Drawings



Agency Compliance



Series TDLK 12 Schematic Drawing



Optional Receptacle Available

*F3 fuse size will vary if receptacle provided

Series TDEK

Transformer VA Capacity	Dongan Catalog No.	Pri. Max Amps 380 V*	Sec. Max Amps	Sec. Fuse Size F3*	Max Lighting Amps	Max Duplex Amps	Sec. Fuse Size F4	Approx. Weight Lbs.
250	TDEK-130	.66	2.08	2.25	2.08	—	—	31
500	TDEK-170	1.32	4.17	4.5	4.17	—	—	35
750	TDEK-190	1.97	6.25	6.25	6.25	—	—	45
1000	TDEK-200	2.63	8.33	9.0	8.33	—	—	49
1500	TDEK-210	3.95	12.50	15.0	12.50	—	—	55
2000	TDEK-230	5.26	16.67	20.0	16.67	—	—	69
3000	TDEK-250	7.90	25.00	25.0	25.00	—	—	86

* Primary max amps for other voltages may be obtained by dividing VA by line voltage

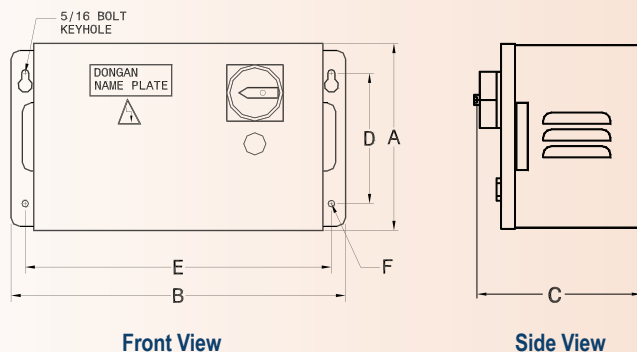
Features

- NEMA 3R/IP23 Enclosure.
- Primary Voltage: 480 VAC.
- Secondary Voltage: 120 VAC.
- 50 / 60 Hz.
- 200K AIC RATED
- One side of secondary grounded.
- Transformer is copper wound with electrostatic shield (earth metal screen).
- Finger-safe terminals.
- All overcurrent protection provided:
Primary - Class CC
Secondary - Supplementary fuses (13/32" x 1 1/2").
- Complies with automotive industry specifications.
- 3 position, padlockable cam switch.
- Gasketed receptacle available as an added cost option on all sizes.
- Green "ON" pilot light provided.
- Dedicated physical earth terminal.
- Bonded door ground stud.
- Options: Other voltage combinations available.

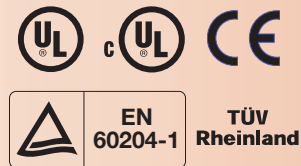
Dimensions

VA	A	B	C	D	E	F
250 - 2000	9.00	14.75	9.13	5.75	13.75	.340
3000	10.75	14.75	9.13	5.75	13.75	.340

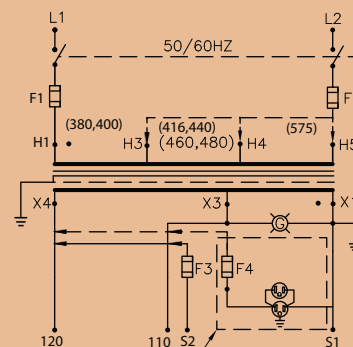
Series TDEK Outline Drawings



Agency Compliance



Series TDEK Schematic Drawing



Optional Receptacle Available

*F3 fuse size will vary if receptacle provided

Series TDEK 12

Transformer VA Capacity	Dongan Catalog No.	Pri. Max Amps 380 V*	Sec. Max Amps	Sec. Fuse Size F3*	Max Lighting Amps	Max Receptacle Amps	Sec. Fuse Size F4	Approx. Weight Lbs.
250	TDEK12-130	0.66	2.08	2.25	2.08	—	—	33
500	TDEK12-170	1.32	4.17	4.5	4.17	—	—	37
750	TDEK12-190	1.97	6.25	6.25	6.25	—	—	47
1000	TDEK12-200	2.63	8.33	9.0	8.33	—	—	51
1500	TDEK12-210	3.95	12.50	15.0	12.50	—	—	57
2000	TDEK12-230	5.26	16.67	20.0	16.67	—	—	71
3000	TDEK12-250	7.90	25.00	25.0	25.00	—	—	100

* Primary max amps for other voltages may be obtained by dividing VA by line voltage

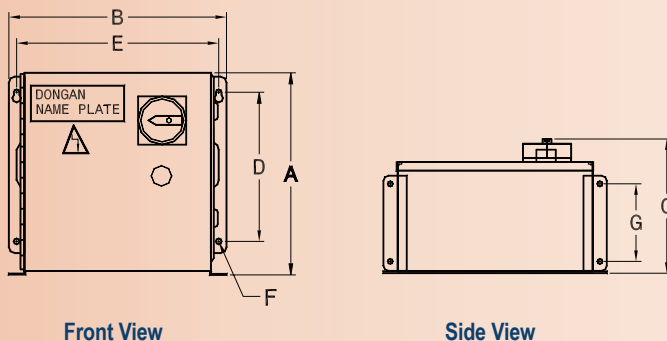
Features

- NEMA 12/IP65 Enclosure.
- Primary Voltage: 480 VAC.
- Secondary Voltage: 120 VAC.
- 50 / 60 Hz.
- 200K AIC RATED
- Complies with automotive
- Both sides of secondary isolated from ground.
- Transformer is copper wound with electrostatic shield (earth metal screen).
- Finger-safe terminals.
- Primary overcurrent protection provided:
Primary - Class CC
Secondary fuse holders only for 13/32" x 1 1/2" fuses.
- Complies with automotive industry specifications.
- 3 position, padlockable cam switch.
- Duplex receptacle provided on all sizes.
- Green "ON" pilot light provided.
- Dedicated physical earth terminal.
- Bonded door ground stud.
- Options: Other voltage combinations available.

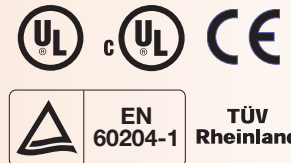
Dimensions

VA	A	B	C	D	E	F	G
250 - 2000	12.75	14.00	9.38	9.38	13.00	.340	4.63
3000	15.19	18.00	11.38	11.50	17.00	.410	7.50

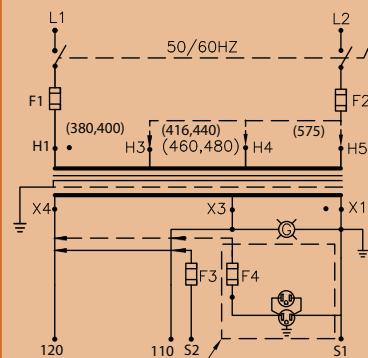
Series TDEK 12 Outline Drawings



Agency Compliance



Series TDEK 12 Schematic Drawing



Optional Receptacle Available

*F3 fuse size will vary if receptacle provided



Transformer Disconnect - Auxiliary Power

Series TDAK

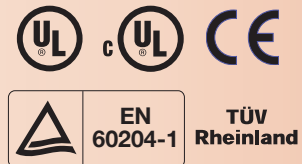
Transformer VA Capacity	Dongan Catalog No.	Pri. Max Amps	Pri. Fuse Size F1 & F2	Sec. Max Amps*	Max Lighting Amps	Max Duplex Amps	Approx. Weight Lbs.
500	TDAK-170	1.04	3.0	4.17	—	—	35
750	TDAK-190	1.56	4.5	6.25	—	—	45
1000	TDAK-200	2.08	3.25	8.33	—	—	49
1500	TDAK-210	3.13	5.0	12.50	—	—	55
2000	TDAK-230	4.17	6.25	16.67	2.00	15.00	69
3000	TDAK-250	6.25	10.0	25.00	10.00	15.00	82

* Lighting amps and Max. duplex amps must not exceed total secondary max amps when used simultaneously.

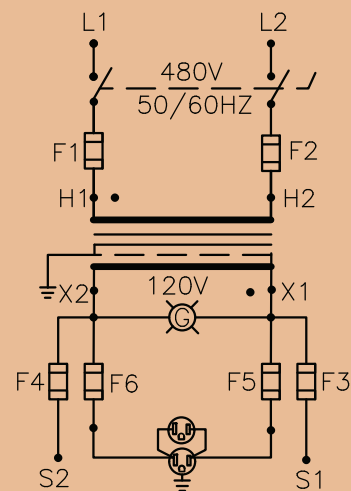
Features

- NEMA 1 / IP 23 enclosure.
- Primary Voltage: 480 VAC.
- Secondary Voltage: 120 VAC.
- 50 / 60 Hz.
- 200K AIC RATED.
- Both sides of secondary isolated from ground.
- Transformer is copper wound with electrostatic shield (earth metal screen).
- Finger-safe terminals.
- Primary overcurrent protection provided:
Primary - Class CC
Secondary fuse holders only for 13/32" x 1 1/2" fuses.
- Complies with automotive industry specifications.
- 3 position, padlockable cam switch.
- Duplex receptacle provided on all sizes.
- Green "ON" pilot light provided.
- Dedicated physical earth terminal.
- Bonded door ground stud.
- Options: Other voltage combinations available.

Agency Compliance



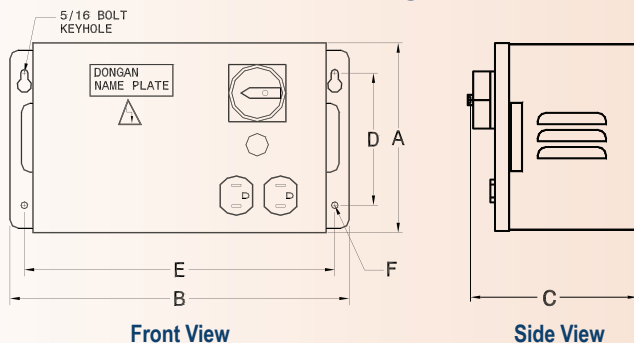
Series TDAK Schematic Drawing



Dimensions

VA	A	B	C	D	E	F
500 - 2000	9.00	14.75	9.13	5.75	13.75	.340
3000	10.75	14.75	9.13	5.75	13.75	.340

Series TDAK Outline Drawings



Series TDAK 12

Transformer VA Capacity	Dongan Catalog No.	Pri. Max Amps	Pri. Fuse Size F1 & F2	Sec. Max Amps	Sec. Fuse Size F3* & F4	Max Lighting Amps	Max Receptacle Amps	Approx. Weight Lbs.
500	TDAK12-170	1.04	3.0	4.17	4.5	4.16	—	37
750	TDAK12-190	1.56	4.5	6.25	6.25	6.25	—	47
1000	TDAK12-200	2.08	3.25	8.33	9.0	8.33	—	51
1500	TDAK12-210	3.13	5.0	12.50	15.0	12.50	—	57
2000	TDAK12-230	4.17	6.25	16.67	20.0	16.66	—	71
3000	TDAK12-250	6.25	10.0	25.00	25.0	25.00	—	96

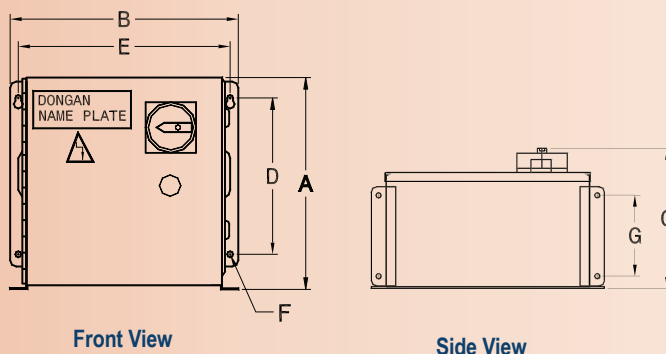
Features

- NEMA 12 / IP 54 enclosure.
- Primary Voltage: 480 VAC.
- Secondary Voltage: 120 VAC.
- 50 / 60 Hz.
- **200K AIC RATED.**
- Both sides of secondary isolated from ground.
- Transformer is copper wound with electrostatic shield (earth metal screen).
- Finger-safe terminals.
- All overcurrent protection provided:
Primary - Class CC
Secondary - Supplementary fuses (13/32" x 1 1/2").
- Complies with automotive industry specifications.
- 3 position, padlockable cam switch.
- Gasketed receptacle available as an added cost option on all sizes.
- Green "ON" pilot light provided.
- Dedicated physical earth terminal.
- Bonded door ground stud.
- Options: Other voltage combinations available.

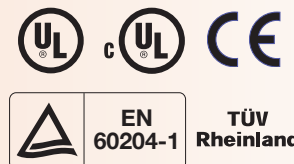
Dimensions

VA	A	B	C	D	E	F	G
500 - 2000	12.75	14.00	9.38	9.38	13.00	.340	4.63
3000	15.19	18.00	11.38	11.50	17.00	.410	7.50

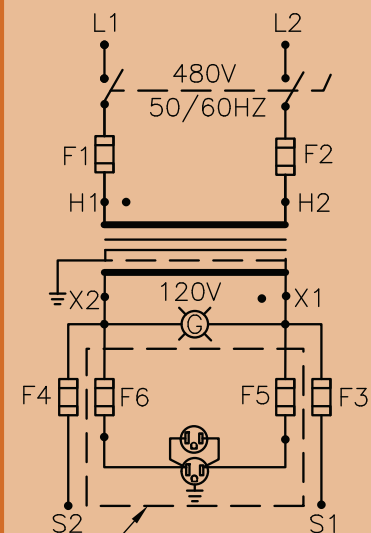
Series TDAK 12 Outline Drawings



Agency Compliance



Series TDAK 12 Schematic Drawing



Optional Receptacle Available

*F3 fuse size will vary if receptacle provided



Dual Secondary Transformer - Lighting Disconnect

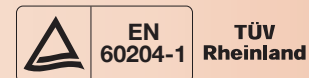
Series TLAK

Transformer VA Capacity	Dongan Catalog No.	Pri. Max Amps	Pri. Fuse Size F1 & F2	Secondary 1			Secondary 2			Approx. Weight Lbs.
				Sec. One VA Capacity	Sec. One Max Amps	Sec. One Fuse Size F3* & F4	Sec. Two VA Capacity	Sec. Two Max Amps	Sec. Two Fuse Size F5	
1000	TLAK-170170	2.08	5.0	500	4.17	4.5	500	4.17	4.5	49
1500	TLAK-200170	3.13	5.0	1000	8.33	9.0	500	4.17	4.5	55
1500	TLAK-190190	3.13	5.0	750	6.25	6.25	750	6.25	6.25	55
1500	TLAK-170200	3.13	5.0	500	4.17	4.5	1000	8.33	9.0	55
1750	TLAK-190200	3.64	6.0	750	6.25	6.25	1000	8.33	9.0	69
3000	TLAK-200230	6.25	10.0	1000	8.33	9.0	2000	16.67	20.0	82
3750	TLAK-190250	7.81	12.0	750	6.25	6.25	3000	25.00	25.0	84
4000	TLAK-200250	8.33	12.0	1000	8.33	9.0	3000	25.00	25.0	86

Features

- NEMA 1 / IP 23 enclosure.
- Primary Voltage: 480 VAC.
- 50 / 60 Hz.
- Secondary One: 120 VAC.
- Secondary Two: 120 VAC.
- 200K AIC RATED.
- Disconnect features dual isolated secondaries for load isolation.
- Secondary One: Both sides ungrounded.
- Secondary Two: One side grounded.
- 3 position, padlockable cam switch.
- Transformer is copper wound with electrostatic shield (earth metal screen) between primary and secondary and between secondary one and secondary two.
- Finger-safe terminals.
- All overcurrent protection provided: Primary - Class CC Secondary - Supplementary fuses (13/32" x 1 1/2").
- Duplex receptacle optional on all sizes.
- Green "ON" pilot light optional on all sizes.
- Dedicated physical earth terminal.
- Bonded door ground stud.
- Other options: Other voltage combinations available.

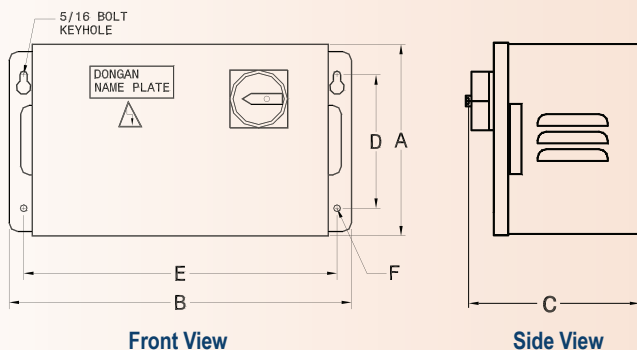
Agency Compliance



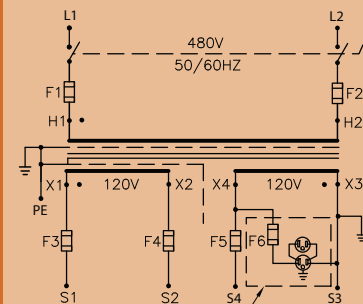
Dimensions

VA	A	B	C	D	E	F
1000 - 1750	9.00	14.75	9.13	5.75	13.75	.340
3000 - 4000	10.75	14.75	9.13	5.75	13.75	.340

Series TLAK Outline Drawings



Series TLAK Schematic Drawing



Optional Receptacle Available

*F3 fuse size will vary if receptacle provided

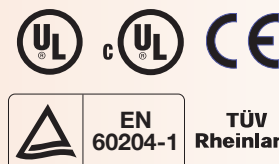
Series TLAK 12

Transformer VA Capacity	Dongan Catalog No.	Pri. Max Amps	Pri. Fuse Size F1 & F2	Secondary 1			Secondary 2			Approx. Weight Lbs.
				Sec. One VA Capacity	Sec. One Max Amps	Sec. One Fuse Size F3* & F4	Sec. Two VA Capacity	Sec. Two Max Amps	Sec. Two Fuse Size F5	
1000	TLAK12-170170	2.08	5.0	500	4.17	4.5	500	4.17	4.5	51
1500	TLAK12-200170	3.13	5.0	1000	8.33	9.0	500	4.17	4.5	57
1500	TLAK12-190190	3.13	5.0	750	6.25	6.25	750	6.25	6.25	57
1500	TLAK12-170200	3.13	5.0	500	4.17	4.5	1000	8.33	9.0	57
1750	TLAK12-190200	3.64	6.0	750	6.25	6.25	1000	8.33	9.0	71
3000	TLAK12-200230	6.25	10.0	1000	8.33	9.0	2000	16.67	20.0	96
3750	TLAK12-190250	7.81	12.0	750	6.25	6.25	3000	25.00	25.0	98
4000	TLAK12-200250	8.33	12.0	1000	8.33	9.0	3000	25.00	25.0	100

Features

- NEMA 12 / IP 54 enclosure.
- Primary Voltage: 480 VAC.
- 50 / 60 Hz.
- Secondary One: 120 VAC.
- Secondary Two: 120 VAC.
- 200K AIC RATED.
- Disconnect features dual isolated secondaries for load isolation.
- Secondary One: Both sides ungrounded.
- Secondary Two: One side grounded.
- Finger-safe terminals.
- Transformer is copper wound with electrostatic shield (earth metal screen) between primary and secondary and between secondary one and secondary two.
- 3 position, padlockable cam switch.
- All overcurrent protection provided: Primary - Class CC Secondary - Supplementary fuses (13/32" x 1 1/2").
- Green "ON" pilot light provided.
- Gasketed receptacle optional on all sizes.
- Dedicated physical earth terminal.
- Bonded door ground stud.
- Other options: Other voltage combinations available.

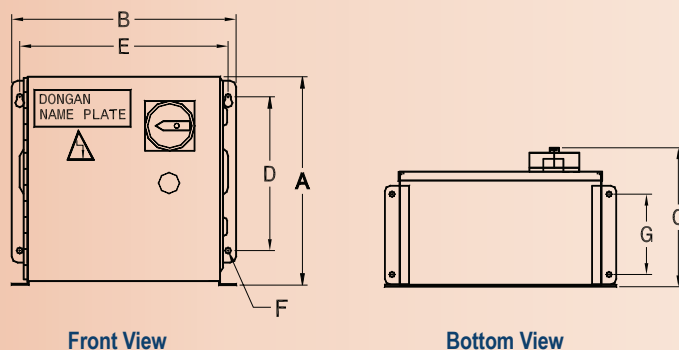
Agency Compliance



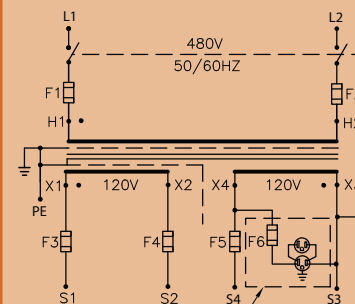
Dimensions

VA	A	B	C	D	E	F	G
1000 - 1750	12.75	14.00	9.38	9.38	13.00	.340	4.63
3000 - 4000	15.19	18.00	11.38	11.50	17.00	.410	7.50

Series TLAK 12 Outline Drawings



Series TLAK 12 Schematic Drawing



Optional Receptacle Available

*F3 fuse size will vary if receptacle provided

Series ADLK

Transformer VA Capacity	Dongan Catalog No.	Pri. Max Amps	Pri. Fuse Size F1 & F2	Sec. Max Amps	Sec. Fuse Size F3*	Max Lighting Amps	Max Duplex Amps	Sec. Fuse Size F4	Approx. Weight Lbs.
250	ADLK-130	.52	1.5	2.08	2.25	2.08	—	—	27
500	ADLK-170	1.04	3.0	4.17	4.5	4.17	—	—	31
750	ADLK-190	1.56	4.5	6.25	6.25	6.25	—	—	35
1000	ADLK-200	2.08	3.2	8.33	2.0	2.08	6.33	7.0	44
1500	ADLK-210	3.13	5.0	12.50	5.0	5.00	7.50	8.0	49
2000	ADLK-230	4.17	6.25	16.67	10.0	9.00	7.50	8.0	56
3000	ADLK-250	6.25	10.0	25.00	10.0	10.00	15.00	15.0	69

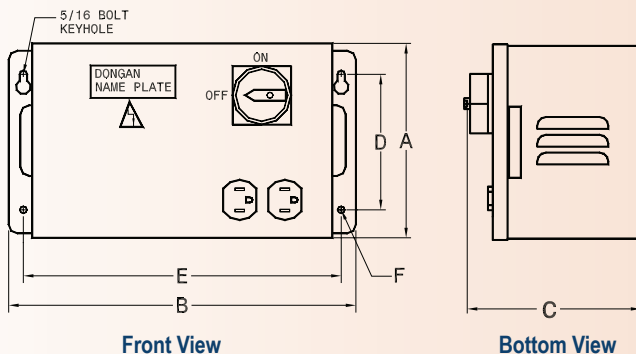
Features

- NEMA 1 / IP 23 enclosure
- Primary Voltage: 480 VAC
- Secondary Voltage: 120 VAC.
- 60 Hz
- 200K AIC RATED.
- One side of secondary grounded.
- Transformer is copper wound with electrostatic shield (earth metal screen).
- Finger-safe terminals.
- All overcurrent protection provided:
 - Primary - Class CC
 - Secondary - Supplementary fuses (13/32" x 1 1/2").
- Complies with automotive industry specifications.
- 3 position, padlockable cam switch.
- Duplex receptacle provided on 1000 VA through 3000 VA, optional on 250 VA - 750 VA.
- Dedicated physical earth terminal.
- Bonded door ground stud.
- Options: Green or red "ON" pilot light available as additional cost option. Other voltage combinations available.

Dimensions

VA	A	B	C	D	E	F
250 - 3000	9.00	14.75	9.13	5.75	13.75	.340

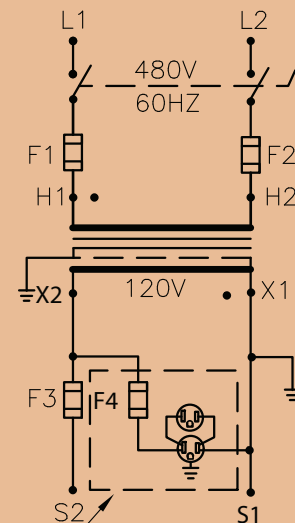
Series ADLK Outline Drawings



Agency Compliance



Series ADLK Schematic Drawing



Optional Receptacle Available

*F3 fuse size will vary if receptacle provided

Transformer Lighting Disconnect



Series ADLK 12

Transformer VA Capacity	Dongan Catalog No.	Pri. Max Amps	Pri. Fuse Size F1 & F2	Sec. Max Amps	Sec. Fuse Size F3*	Max Lighting Amps	Max Receptacle Amps	Sec. Fuse Size F4	Approx. Weight Lbs.
250	ADLK12-130	.52	1.5	2.08	2.25	2.08	—	—	29
500	ADLK12-170	1.04	3.0	4.17	4.5	4.17	—	—	33
750	ADLK12-190	1.56	4.5	6.25	6.25	6.25	—	—	37
1000	ADLK12-200	2.08	3.2	8.33	9.0	8.33	—	—	46
1500	ADLK12-210	3.13	5.0	12.50	15.0	12.50	—	—	51
2000	ADLK12-230	4.16	6.25	16.67	20.0	16.67	—	—	58
3000	ADLK12-250	6.25	10.0	25.00	25.0	25.00	—	—	71

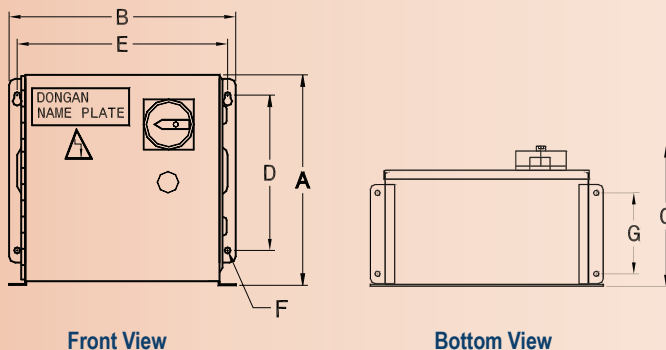
Features

- NEMA 12 / IP 54 enclosure.
- Primary Voltage: 480 VAC.
- Secondary Voltage: 120 VAC.
- 60 Hz.
- 200K AIC RATED.
- One side of secondary grounded.
- Transformer is copper wound with electrostatic shield (earth metal screen).
- Finger-safe terminals.
- Complies with automotive industry specifications.
- 3 position, padlockable cam switch.
- All overcurrent protection provided
Primary - Class CC
Secondary - Supplementary fuses (13/32" x 1 1/2").
- Gasketed receptacle available as additional cost option.
- Green "ON" pilot light provided.
- Dedicated physical earth terminal.
- Bonded door ground stud.
- Options: Other voltage combinations are available. Red "ON" pilot light available.

Dimensions

VA	A	B	C	D	E	F	G
250 - 3000	12.75	14.00	9.38	9.38	13.00	.340	4.63

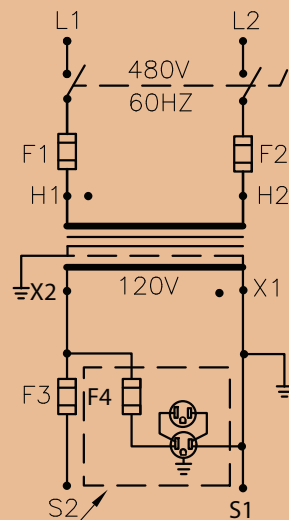
Series ADLK 12 Outline Drawings



Agency Compliance



Series ADLK 12 Schematic Drawing



Optional Receptacle Available

*F3 fuse size will vary if receptacle provided



Large VA Capacity Transformer Lighting Disconnect

Series TDGK 12

Transformer VA Capacity	Dongan Catalog No.	Pri. Max Amps	Pri. Fuse Size F1 & F2	Sec. Max Amps	Sec. Fuse Size F3*	Sec. Fuse Size with Receptacle F3*	Sec. Fuse Size with Receptacle F4	Approx. Weight Lbs.
5000	TDGK12-300	10.41	15.0	41.66	45.0	35.0	6.0	125
7500	TDGK12-330	15.62	25.0	60.00	60.0	50.0	10.0	150

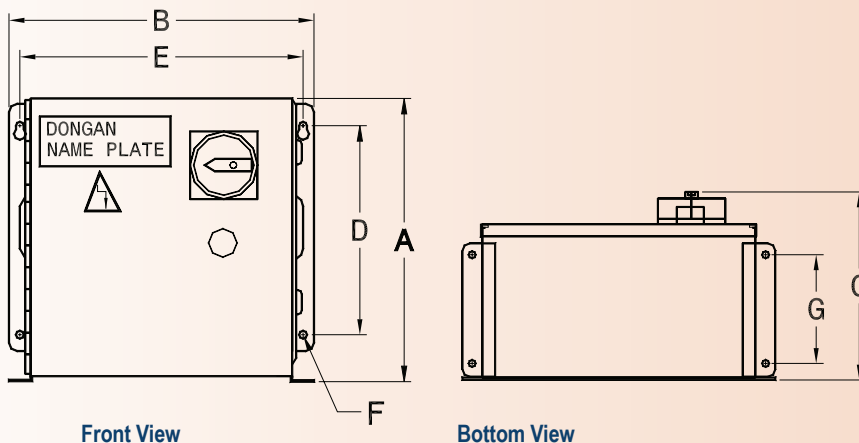
Features

- NEMA 12 / IP 54 enclosure.
- Primary Voltage: 480 VAC.
- Secondary Voltage: 120 VAC.
- 60 Hz.
- 200K AIC RATED.
- Large capacity - 5000 VA and 7500 VA.
- One side of secondary grounded.
- Transformer is copper wound with electrostatic shield (earth metal screen).
- Finger-safe terminals.
- 3 position, padlockable cam switch.
- Green "ON" pilot light provided.
- All overcurrent protection provided:
Primary - Class CC
Secondary - Supplementary fuses (1 1/16" x 2 3/8").
- Gasketed duplex receptacle available as additional cost option.
- Dedicated physical earth terminal.
- Bonded door ground stud.
- Options: Other voltage combinations available.

Dimensions

VA	A	B	C	D	E	F	G
5000 - 7500	15.19	18.00	11.50	11.50	17.00	.410	7.50

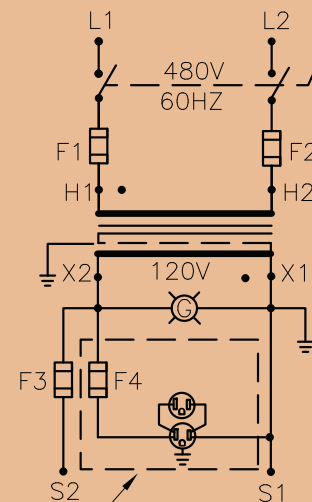
Series TDGK 12 Outline Drawings



Agency Compliance



Series TDGK 12 Schematic Drawing



Optional Receptacle Available

*F3 fuse size will vary if receptacle provided

Series TMAK, TMBK and TMCK

The Dongan Compact Series Transformer Lighting Disconnects are designed to minimize backplate footprints to save valuable control panel space. The Compact Series are available in three standard circuits with four VA sizes for each circuit configuration. Epoxy encapsulated, the Compact Series offers cool operating temperatures, a green “ON” pilot light, and circuit options that include a duplex receptacle as well as grounded and ungrounded secondaries.

Transformer VA Capacity	Dongan Catalog No.	Circuit Style	Pri. Max Amps	Pri. Fuse Size F1 & F2	Sec. Max Amps	Sec. Fuse Size F3*	Max Lighting Amps	Max Duplex Amps	Sec. Fuse Size F4	Approx. Weight Lbs.
250	TMAK-130	A	.52	1.5	2.08	††	†	†	††	15
500	TMAK-170	A	1.04	3.0	4.17	††	†	†	††	20
750	TMAK-190	A	1.56	4.5	6.25	††	†	†	††	25
1000	TMAK-200	A	2.08	6.0	8.33	††	†	†	††	30
250	TMBK-130	B	.52	1.5	2.08	2.25	2.08	—	—	15
500	TMBK-170	B	1.04	3.0	4.17	4.5	4.17	—	—	20
750	TMBK-190	B	1.56	4.5	6.25	6.25	6.25	—	—	25
1000	TMBK-200	B	2.08	6.0	8.33	9.0	8.33	—	—	30
250	TMCK-130	C	.52	1.5	2.08	2.25	2.08	—	2.25	15
500	TMCK-170	C	1.04	3.0	4.17	4.5	4.17	—	4.5	20
750	TMCK-190	C	1.56	4.5	6.25	6.25	6.25	—	6.25	25
1000	TMCK-200	C	2.08	6.0	8.33	9.0	8.33	—	9.0	30

† Total of lighting amps and duplex amps must not exceed secondary amp rating.
 †† Fuse sizes of F3 and F4 are based on the load and maximum secondary amps.

* F3 fuse size will vary if receptacle provided

Features

- NEMA 1 / IP 23 enclosure.
- Primary Voltage: 480 VAC.
- Secondary Voltage: 120 VAC.
- 60 Hz.
- **200K AIC RATED.**
- Compact, panel space-saving design.
- Choice of three circuit designs.
- Transformer is copper wound with electrostatic shield (earth metal screen).
- Finger-safe terminals.
- 3 position, padlockable cam switch.
- Green “ON” pilot light provided.
- Primary overcurrent protection provided:
 Primary - Class CC
- Dedicated physical earth terminal.
- Bonded door ground stud.
- Options: Other voltage combinations available.
- Complies with automotive industry specifications.
- TOAK, TOBK & TOCK open style available.



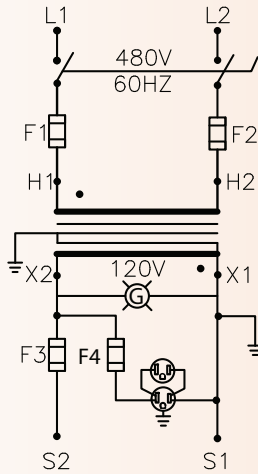
Please contact your Dongan Representative or our offices for literature on the full line of Dongan Disconnects, Transformers and other products.

Circuit Configurations

Agency Compliance



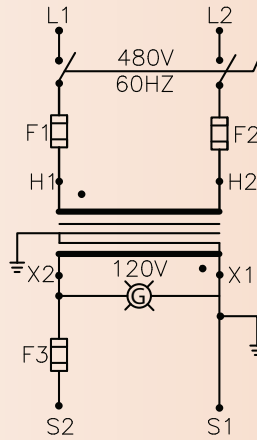
Series TMAK Schematic Drawing



Agency Compliance



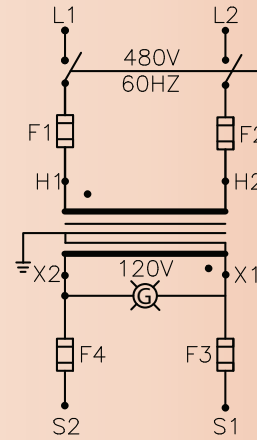
Series TMBK Schematic Drawing



Agency Compliance

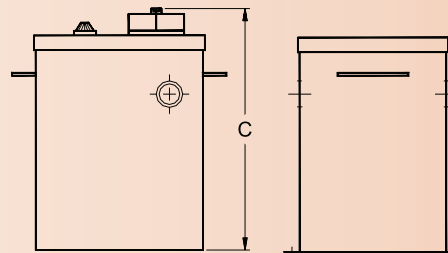
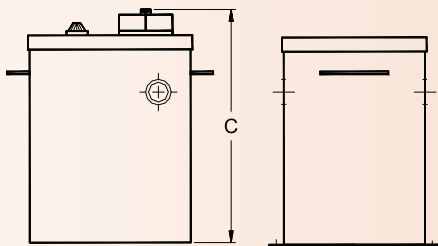
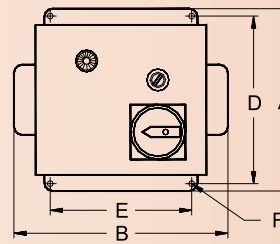
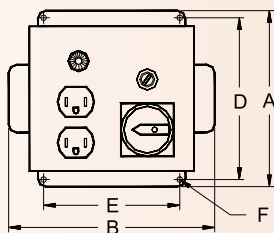


Series TMCK Schematic Drawing



Dimensions

VA	A	B	C	D	E	F
250 - 1000	7.50	8.75	10.38	6.88	6.0	.250



**Series TMAK
Dimensions**

**Series TMBK & TMCK
Dimensions**

Series TDFM12

Dongan TDFM12 series is a flange mount lighting disconnect in a NEMA 12 enclosure. The enclosure has provisions for side mounting or base mounting. This is used predominantly in automotive plants. Standard voltage is 480 to 120.

Features

- Sizes from 1000-3000VA
- Power-on pilot light
- All overcurrent protection provided
- Lockable Allen Bradley 30 amp switch
- Continuous welded seams
- Hinged door with gasketing
- Special voltages available
- Other options- consult factory

VA RATING	CATALOG NUMBER	WEIGHT (LBS)
1000	TDFM12-200	50
1500	TDFM12-210	63
2000	TDFM12-230	70
3000	TDFM12-250	75



General Purpose Dry Type Distribution

Single Phase, Three Phase, Buck Boost, Motor Drive Isolation, Custom Designs

- **Single Phase, 50 VA - 100 kVA**
- Series 35, 80, 85, 61, 41
- **Three Phase, 3 kVA - 150 kVA**
- Series 63, 73, 76, 83
- **Buck - Boost, 50 VA - 5 kVA**
- Series 35, 80, 85
- **Motor Drive Isolation, 3 kVA - 145 kVA**
- Series 63
- **CE Marked Single and Three Phase Units**
- Series ES-11, Series ES-31
- **K Factor, 15 kVA - 150 kVA**
- Series TK
- **Custom Designs**
- Core and Coil Designs
- Autotransformers
- UL and CSA Family Approvals

Industrial Control Transformers, Servo Drive Isolation Transformers

- **Century Series 50 - 1000 VA**
102, 103, 107, 109
Primary Installed Fuse Available
- **Series 50, Screw Terminals**
- Domestic Suffix 052, 053, 054, 056, 134
- Export Suffix 058, 059
- **Series HC, Molded Terminals**
- Suffix -41, -44, -46, -47
- **CE Marked Units - Series ES-10**
- Suffix .326, .366, .376, .386



Transformers and Custom Magnetics

Factory and Local Warehouse Stocks for:

- Industrial Control Transformers
- General Purpose Transformers
 - Single Phase
 - Three Phase
- Motor Drive Isolation Transformers
- Control Transformers
- K - Factor Transformers
- High Voltage Ignition
 - Gas Ignition
 - Oil Ignition
 - Solid State
- Transformer Lighting Disconnects
- Signaling
- Hospital Isolation
- Epoxy Encapsulated
- CE Marked Transformers
- Auto Transformers
- High Voltage Transformers
- Solar and Wind Energy Transformers
- DOE Energy Efficient Transformers

Custom Designs Available:

- Domestic & Export Voltages
- Custom Colors
- Special Frequencies
- Custom Enclosures
- Match Current or Custom Dimensions
- Core & Coil Units
- CE Marked Transformers
- Chokes
- Reactors
- Comprehensive Family Approvals for



Dongan Electric Manufacturing Company

2987 Franklin Street
Detroit, MI 48207 USA

800.428.2626 • +1.313.567.8500
Fax: 586.296.2553

www.dongan.com • sales@dongan.com

Pioneer Transformer Company
A Wholly Owned Subsidiary
500 Cedar Street
Pioneer, OH 43554 USA



Engineered Transformer Solutions Since 1909