



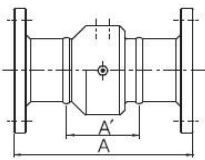
■ Operating Condition

Size Range : 25A~400A (1"~16")
 Max. Pressure : 20kg/cm² (280PSI)
 Max. Temperature :
 100°C (210°F) NBR Packing
 180°C (360°F) Viton Packing
 Media : Air, Oil, Water

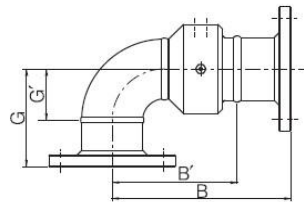
■ Features / 특징

- Flange Type
- Double row steel balls supporting pressure compensation
- Extended service life by Precision processing
- Series KJ500은 후렌지형 스위블조인트로 압력에 대한 보상은 2줄 강구에 의해 지지되며 특히 정밀가공으로 안정된 수명을 보장합니다.

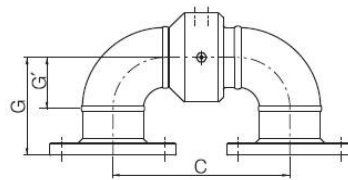
KJ500



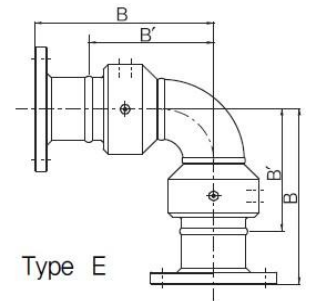
Type A



Type C



Type D



Type E

[unit : mm]

Nominal Size	A	A'	B	B'	C	G	G'	Weight(kg)			
								Type A	Type C	Type D	Type E
25A 1"	187	76	170	114	152	94	38.1	3.3	3.4	3.6	5.0
32A 1-1/4"	203	89	194	137	184	105	47.6	4.3	4.5	4.7	6.3
40A 1-1/2"	215	91	210	148	205	119	57.2	5.3	5.5	5.7	7.2
50A 2"	220	93	233	169	245	140	76.2	7.2	7.6	8.0	10.6
65A 2-1/2"	250	110	243	174	237	133	63.5	10.4	11.0	11.5	15.3
80A 3"	255	115	261	191	267	146	76.2	11.3	12.1	13.0	17.0
100A 4"	272	120	298	222	323	173	101.6	15.6	17.0	18.5	24.6
125A 5"	304	126	342	253	380	216	127	25.0	27.0	29.0	39.5
150A 6"	334	156	397	308	461	241	152.4	39.0	42.5	46.0	65.0
200A 8"	368	165	470	368	571	305	203.2	59.0	67.0	74.0	104.0
250A 10"	397	194	550	448	702	356	254	87.0	101.0	114.0	138.0
300A 12"	436	207	626	512	817	419	304.8	125.0	145.0	165.0	228.0
350A 14"	470	216	699	572	927	483	355.6	170.0	202.0	232.0	315.0
400A 16"	476	222	755	628	1035	533	406.4	223.0	251.0	277.0	392.0