



Operating Condition

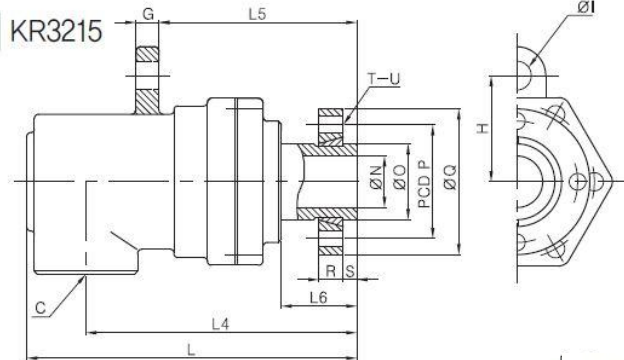
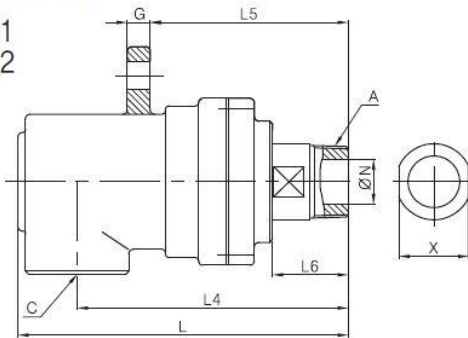
- Size Range : 15A~80A (1/2"~3")
- Max. Pressure : 15kg/cm² (210PSI)
- Max. Rotation Speed :
 - 15A~25A(1/2"~1") : 300RPM
 - 32A~80A(1 1/4"~3") : 150RPM
- Max. Temperature : 220°C (420°F)
- Media : Hot Oil
- * Avoid max. pressure at max. rpm operation

Features / 특징

- Spherical Sealing
- Two Widely-Spaced Carbon Bearing
- Self-supported & Alignment rotating union
- Easily field repairable
- For Hot Oil media
- Over Max. Temp.(220°C/420°F), consult KJC
- 2개의 Carbon Bearing과 구면Seal을 사용하여 자체지지형, 자기 조심의 구조로 설계되었으며 구조가 간단하여 보수가 용이합니다.
- Hot Oil용으로 설계된 제품이며 사용온도에 주의하시고 220°C (420°F) 이상일때는 당사로 문의하시기 바랍니다.
- * 최고회전수 조건에서 최고압력 사용을 피하여 주십시오.

단식 [SINGLE]

KR3211
KR3212



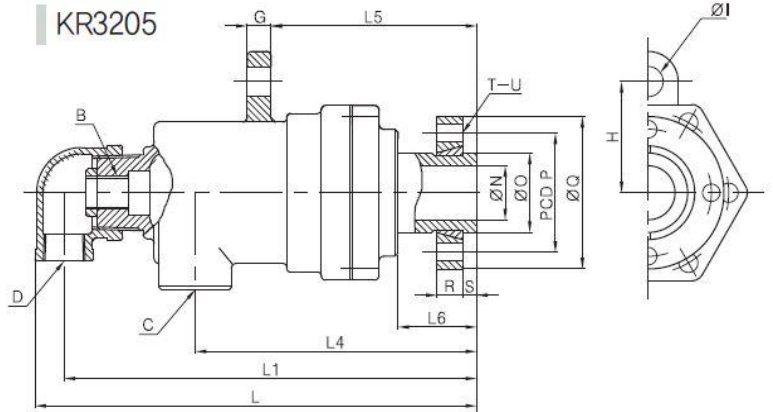
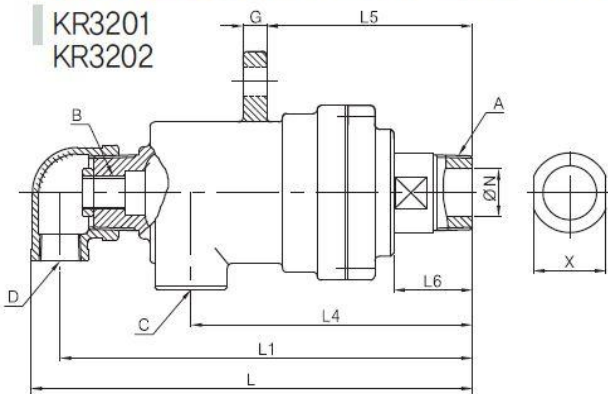
[unit : mm]

MODEL NO.		A	C	G	H	I	L	L4	L5	L6	N	X	Wt
PT [RH]	PT [LH]	(PT)	(PT)										(kg)
KR3211-15A	KR3212-15A	1/2"	1/2"	12	49	Ø15	142	117	89	33	14	21	2
KR3211-20A	KR3212-20A	3/4"	3/4"	9	55	Ø14	160	132	98	38	18	26	2.6
KR3211-25A	KR3212-25A	1"	1"	10	65	Ø14	180	144	113	43	23	32	3.6
KR3211-32A	KR3212-32A	1-1/4"	1-1/2"	12	70	Ø19	216	176	129	49	30	46	6.6
KR3211-40A	KR3212-40A	1-1/2"	1-1/2"	12	70	Ø19	216	176	129	49	34	46	6.6
KR3211-50A	KR3212-50A	2"	2"	16	92	Ø23	248	192	158	63	48	60	10.2
KR3211-65A	KR3212-65A	2-1/2"	2-1/2"	18	110	Ø23	267.5	206.5	170.5	64.5	60	75	13.7
KR3211-80A	KR3212-80A	3"	3"	24	125	Ø25	320.5	262.5	198.5	72.5	70	85	24.5

MODEL NO.	C	G	H	I	L	L4	L5	L6	N	O	P	Q	R	S	T	U	Wt
FLANGE	(PT)																(kg)
KR3215-15A	1/2"	12	49	Ø15	142	117	89	40	14	25	45	62	11	8	4	Ø9	2.2
KR3215-20A	3/4"	9	55	Ø14	160	132	98	38	18	30	54	74	13	8	4	Ø11	3
KR3215-25A	1"	10	65	Ø14	180	144	113	43	23	35	60	80	14	9	4	Ø11	4
KR3215-40A	1-1/2"	12	70	Ø19	216	176	129	49	34	50	75	96	16	9	4	Ø11	7
KR3215-50A	2"	16	92	Ø23	248	192	156	63	48	65	95	120	19	10	4	Ø14	12
KR3215-65A	2-1/2"	18	110	Ø23	263	210	166	60	60	80	110	136	20	12	4	Ø14	15.2
KR3215-80A	3"	24	125	Ø25	318	260	196	70	70	90	125	154	20	12	6	Ø14	27.5



복식 내관 고정 [DUPLEX | STATIONARY SYPHON]



[unit : mm]

MODEL NO.		A	B	C	D	G	H	I	L	L1	L4	L5	L6	N	X	Wt (kg)
PT [RH]	PT [LH]	(PT)	(PF)	(PT)	(PT)											
KR3201-15A-6A	KR3202-15A-6A	1/2"	1/8"	1/2"	1/2"	12	49	Ø15	192	178	117	89	33	14	21	2.2
KR3201-20A-8A	KR3202-20A-8A	3/4"	1/4"	3/4"	3/4"	9	55	Ø14	221	204	132	98	38	18	26	3
KR3201-25A-10A	KR3202-25A-10A	1"	3/8"	1"	3/4"	10	65	Ø14	243	226	144	113	43	23	32	4
KR3201-32A-15A	KR3202-32A-15A	1-1/4"	1/2"	1"	3/4"	12	70	Ø19	272	253	176	125	49	30	46	6
KR3201-40A-20A	KR3202-40A-20A	1-1/2"	3/4"	1"	3/4"	12	70	Ø19	272	253	176	125	49	34	46	6
KR3201-50A-25A	KR3202-50A-25A	2"	1"	1-1/2"	1"	16	92	Ø23	324	303	204	156	63	48	60	10.5
KR3201-65A-40A	KR3202-65A-40A	2-1/2"	1-1/2"	2"	1-1/2"	18	110	Ø23	361	333	215	171	64.5	60	75	15.5
KR3201-80A-50A	KR3202-80A-50A	3"	2"	2-1/2"	2"	24	125	Ø25	435	395	263	199	72.5	70	85	27

MODEL NO. FLANGE	B (PF)	C (PT)	D (PT)	G	H	I	L	L1	L4	L5	L6	N	O	P	Q	R	S	T	U	Wt (kg)
KR3205-15A-6A	1/8"	1/2"	1/2"	12	49	Ø15	192	178	117	89	40	14	25	45	62	11	8	4	Ø9	2.4
KR3205-20A-8A	1/4"	3/4"	3/4"	9	55	Ø14	221	204	132	98	38	18	30	54	74	13	8	4	Ø11	3.4
KR3205-25A-10A	3/8"	1"	3/4"	10	65	Ø14	243	226	144	113	43	23	35	60	80	14	9	4	Ø11	4.3
KR3205-40A-20A	3/4"	1"	3/4"	12	70	Ø19	272	253	176	129	49	34	50	75	96	16	9	4	Ø11	7
KR3205-50A-25A	1"	1-1/2"	1"	16	92	Ø23	324	303	204	156	63	48	65	95	120	19	10	4	Ø14	12
KR3205-65A-40A	1-1/2"	2"	1-1/2"	18	110	Ø23	356	328	210	166	60	60	80	110	136	20	12	4	Ø14	17
KR3205-80A-50A	2"	2-1/2"	2"	24	125	Ø25	432	392	260	196	70	70	90	125	154	20	12	6	Ø14	30