



■ Operating Condition

Size Range : 15A~80A (1/2"~3")
 Max. Pressure : 15kg/cm² (210PSI)
 Max. Rotation Speed :
 15A~25A(1/2"~1") : 300RPM
 32A~80A(1 1/4"~3") : 150RPM
 Max. Temperature : 220°C (420°F)
 Media : Steam, Hot Oil

* Avoid max. pressure at max. rpm operation

■ Features / 특징

- Two Widely-Spaced Carbon Bearing
- Spherical Sealing
- Self-Supported & Alignment rotating union
- Easily field repairable
- Non-Lubrication type
- High Temp. Steam & Hot Oil media

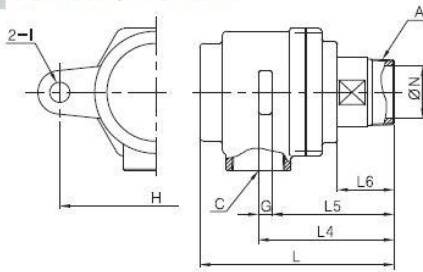
• 넓게 자리잡은 2개의 Carbon Bearing과 구면Seal을 사용하여 자체지지형, 자기조심의 구조로 설계되었으며 구조가 간단하여 보수가 용이합니다.

• 무 주유형으로 고온의 스팀, 열유에 적합합니다.

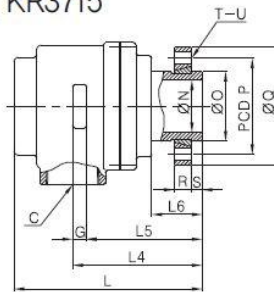
* 최고회전수 조건에서 최고압력 사용을 피하여 주십시오.

단식 [SINGLE]

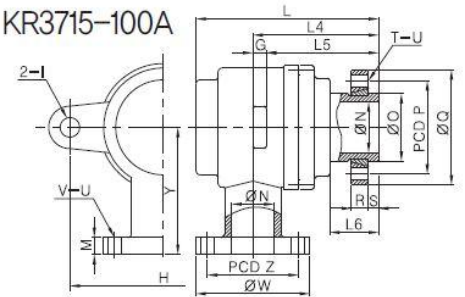
KR3711 / KR3712



KR3715



KR3715-100A

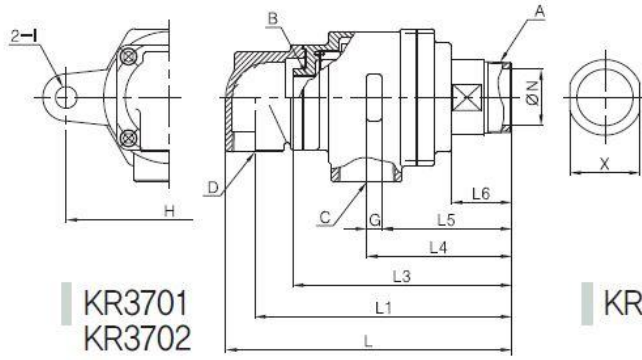


[unit : mm]

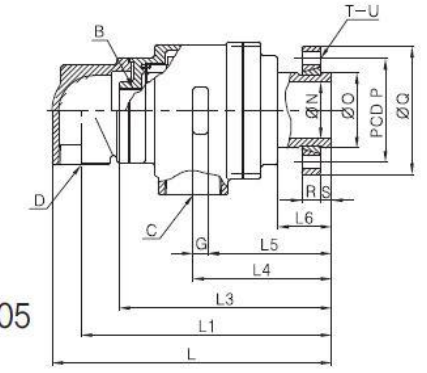
MODEL NO.		A	C	G	H	I	L	L4	L5	L6	N	X	Wt
PT [RH]	PT [LH]	(PT)	(PT)										(kg)
KR3711-15A	KR3712-15A	1/2"	1/2"	10	110	Ø15	141	96	86	44	14	21	2
KR3711-20A	KR3712-20A	3/4"	3/4"	10	130	Ø15	160	102	92	46	18	26	2.7
KR3711-25A	KR3712-25A	1"	1"	12	140	Ø15	170	109	97	48	23	32	3.2
KR3711-32A	KR3712-32A	1-1/4"	1-1/2"	12	180	Ø19	187	126	114	50	30	46	6.1
KR3711-40A	KR3712-40A	1-1/2"	1-1/2"	12	180	Ø19	187	126	114	50	34	46	5.7
KR3711-50A	KR3712-50A	2"	2"	14	200	Ø19	209	149	135	63	48	60	8.2
KR3711-65A	KR3712-65A	2-1/2"	2-1/2"	16	220	Ø23	216.5	152	135.5	64.5	60	75	11.5
KR3711-80A	KR3712-80A	3"	3"	16	240	Ø23	260.5	181	164.5	72.5	70	85	17.2

MODEL NO. FLANGE	C (PT)	G	H	I	L	L4	L5	L6	N	O	P	Q	R	S	T	U	M	V	W	Y	Z	Wt (kg)
KR3715-15A	1/2"	10	110	Ø15	141	96	86	44	14	25	45	62	11	8	4	Ø9	-	-	-	-	-	2.3
KR3715-25A	3/4"	10	130	Ø15	160	102	92	46	18	30	54	74	13	8	4	Ø11	-	-	-	-	-	3
KR3715-20A	1"	12	140	Ø15	170	109	97	48	23	35	60	80	14	9	4	Ø11	-	-	-	-	-	3.7
KR3715-40A	1-1/2"	12	180	Ø19	187	126	114	50	34	50	75	96	16	9	4	Ø11	-	-	-	-	-	6.4
KR3715-50A	2"	14	200	Ø19	200	140	126	54	48	65	95	120	19	10	4	Ø14	-	-	-	-	-	9.5
KR3715-65A	2-1/2"	16	220	Ø23	210	145	129	58	60	80	110	136	20	12	4	Ø14	-	-	-	-	-	13
KR3715-80A	3"	16	240	Ø23	250	170	154	62	70	90	125	154	20	12	6	Ø14	-	-	-	-	-	19.2
KR3715-100A	-	25	300	Ø30	363	258	233	110	93	113	170	220	27	30	6	Ø19	24	8	210	217	175	52

복식 내관 고정 [DUPLIX | STATIONARY SYPHON]

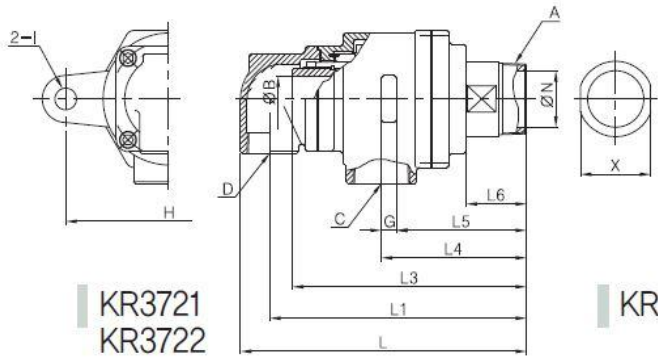


KR3701
KR3702

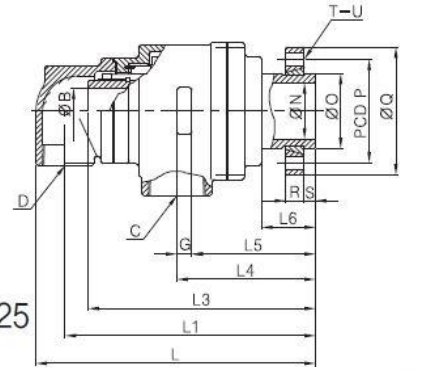


KR3705

복식 내관 회전 [DUPLIX | ROTARY SYPHON]



KR3721
KR3722



KR3725

[unit : mm]

MODEL NO.		A	B	C	D	G	H	I	L	L1	L3	L4	L5	L6	N	X	Wt
PT [RH]	PT [LH]	(PT)	(PF, Ø)	(PT)	(PT)												(kg)
KR3701-15A-6A	KR3702-15A-6A	1/2"	1/8"	1/2"	1/2"	10	110	Ø15	184	170	151	96	86	44	14	21	2.1
KR3721-15A-Ø11	KR3722-15A-Ø11	1/2"	11	1/2"	1/2"	10	110	Ø15	184	170	163	96	86	44	14	21	2.1
KR3701-20A-8A	KR3702-20A-8A	3/4"	1/4"	3/4"	3/4"	10	130	Ø15	195	178	156	102	92	46	18	26	2.8
KR3721-20A-Ø14.5	KR3722-20A-Ø14.5	3/4"	14.5	3/4"	3/4"	10	130	Ø15	195	178	170	102	92	46	18	26	2.8
KR3701-25A-10A	KR3702-25A-10A	1"	3/8"	1"	3/4"	12	140	Ø15	208	191	169	109	97	48	23	32	3.5
KR3721-25A-Ø18	KR3722-25A-Ø18	1"	18	1"	3/4"	12	140	Ø15	208	191	183	109	97	48	23	32	3.5
KR3701-32A-15A	KR3702-32A-15A	1-1/4"	1/2"	1"	3/4"	12	180	Ø19	248	230	200	126	114	50	30	46	6.9
KR3721-32A-Ø22.5	KR3722-32A-Ø22.5	1-1/4"	22.5	1"	3/4"	12	180	Ø19	248	230	206	126	114	50	30	46	6.9
KR3701-40A-20A	KR3702-40A-20A	1-1/2"	3/4"	1"	3/4"	12	180	Ø19	248	230	200	126	114	50	34	46	6.5
KR3721-40A-Ø28	KR3722-40A-Ø28	1-1/2"	28	1"	3/4"	12	180	Ø19	248	230	206	126	114	50	34	46	6.5
KR3701-50A-25A	KR3702-50A-25A	2"	1"	1-1/2"	1"	14	200	Ø19	281	259	225	149	135	63	48	60	9.8
KR3721-50A-Ø34.5	KR3722-50A-Ø34.5	2"	34.5	1-1/2"	1"	14	200	Ø19	281	259	228	149	135	63	48	60	9.8
KR3701-65A-40A	KR3702-65A-40A	2-1/2"	1-1/2"	2"	1-1/2"	16	230	Ø23	301.5	272	232	152	136	64.5	60	75	13.3
KR3721-65A-Ø49	KR3722-65A-Ø49	2-1/2"	49	2"	1-1/2"	16	230	Ø23	301.5	272	250	152	136	64.5	60	75	13.3
KR3701-80A-50A	KR3702-80A-50A	3"	2"	2-1/2"	2"	16	240	Ø23	361.5	326	276	181	165	72.5	70	85	19.9
KR3721-80A-Ø61	KR3722-80A-Ø61	3"	61	2-1/2"	2"	16	240	Ø23	361.5	326	282	181	165	72.5	70	85	20.0
KR3701-100A-50A	KR3702-100A-50A	4"	2"	3-1/2"	2"	25	300	Ø30	536	500	381	258	234	110	93	107	50
KR3721-100A-Ø62	KR3722-100A-Ø62	4"	62	3-1/2"	2"	25	300	Ø30	536	500	397	258	234	110	93	107	50

MODEL NO. FLANGE	B	C	D	G	H	I	L	L1	L3	L4	L5	L6	N	O	P	Q	R	S	T	U	Wt
	(PF, Ø)	(PT)	(PT)																		(kg)
KR3705-15A-6A	1/8"	1/2"	1/2"	10	110	Ø15	184	170	151	96	86	44	14	25	45	62	11	8	4	Ø9	2.3
KR3725-15A-Ø11	11	1/2"	1/2"	10	110	Ø15	184	170	163	96	86	44	14	25	45	62	11	8	4	Ø9	2.3
KR3705-20A-8A	1/4"	3/4"	3/4"	10	130	Ø15	195	178	156	102	92	46	18	30	54	74	13	8	4	Ø11	3.2
KR3725-20A-Ø14.5	14.5	3/4"	3/4"	10	130	Ø15	195	178	170	102	92	46	18	30	54	74	13	8	4	Ø11	3.2
KR3705-25A-10A	3/8"	1"	3/4"	12	140	Ø15	208	191	169	109	97	48	23	35	60	80	14	9	4	Ø11	3.9
KR3725-25A-Ø18	18	1"	3/4"	12	140	Ø15	208	191	183	109	97	48	23	35	60	80	14	9	4	Ø11	3.9
KR3705-40A-20A	3/4"	1"	3/4"	12	180	Ø19	248	230	200	126	114	50	34	50	75	96	16	9	4	Ø11	7.3
KR3725-40A-Ø28	28	1"	3/4"	12	180	Ø19	248	230	206	126	114	50	34	50	75	96	16	9	4	Ø11	7.1
KR3705-50A-25A	1"	1-1/2"	1"	14	200	Ø19	272	250	218	140	126	54	48	65	95	120	19	10	4	Ø14	10.9
KR3725-50A-Ø34.5	34.5	1-1/2"	1"	14	200	Ø19	272	250	219	140	126	54	48	65	95	120	19	10	4	Ø14	10.9
KR3705-65A-32A	1-1/2"	2"	1-1/2"	16	220	Ø23	295	265	225	145	129	58	60	80	110	136	20	12	4	Ø14	14.8
KR3725-65A-Ø49	49	2"	1-1/2"	16	220	Ø23	295	265	243	145	129	58	60	80	110	136	20	12	4	Ø14	14.8
KR3705-80A-50A	2"	2-1/2"	2"	16	240	Ø23	351	315	265	170	154	62	70	90	125	154	20	12	6	Ø14	21.9
KR3725-80A-Ø61	61	2-1/2"	2"	16	240	Ø23	351	315	271	170	154	62	70	90	125	154	20	12	6	Ø14	21.9
KR3705-100A-50A	2"	3-1/2"	2"	25	300	Ø30	536	500	381	258	234	110	93	112.9	170	220	27	30	6	Ø19	55
KR3725-100A-Ø62	62	3-1/2"	2"	25	300	Ø30	536	500	397	258	234	110	93	112.9	170	220	27	30	6	Ø19	55