

■ Operating Condition

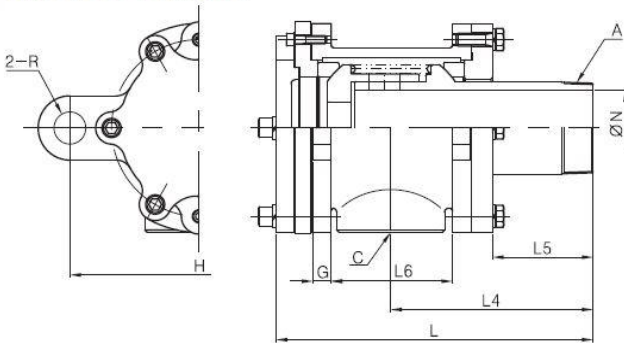
- Size Range : 50A~150A (2"~6")
- Max. Pressure : 15kg/cm² (210PSI)
- Max. Rotation Speed :
 - 50A~100A (2"~4") : 300RPM
 - 125A~150A (5"~6") : 150RPM
- Max. Temperature : 220°C (420°F)
- Media : Steam, Hot Oil
- * Avoid max. pressure at max. rpm operation

■ Features / 특징

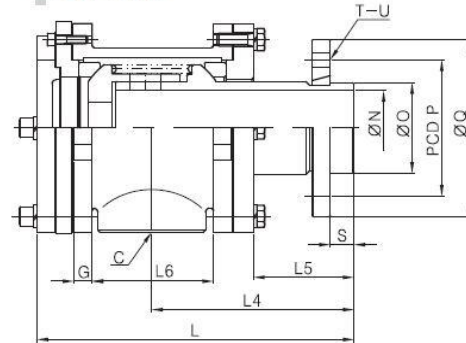
- Simple Structure
- Easily field repairable
- Dual Spherical Sealing
- Self-Alignment rotating union
- Low-friction / High speed rotation
- Non-Lubrication
- Suitable for High temp. Steam & Oil
- 구조가 간단하여 보수가 용이합니다.
- 2개의 구면Seal을 가진 자기조심형으로 회전저항이 작아 고속회전이 가능합니다.
- 무 주유형으로 고온의 스팀, 열유에 적합합니다.
- * 최고회전수 조건에서 최고압력 사용을 피하여 주십시오.

단식 [SINGLE]

KR4011 / KR4012



KR4015



[unit : mm]

MODEL NO.		A	C	G	H	L	L4	L5	L6	N	R	Wt
PT [RH]	PT [LH]	(PT)	(PT)									(kg)
KR4011-50A	KR4012-50A	2"	2"	15	200	237	150	80	76	45	Ø21	12.5
KR4011-65A	KR4012-65A	2-1/2"	2-1/2"	14	220	266	144	75	90	57	Ø22	15.0
KR4011-80A	KR4012-80A	3"	3"	18	250	299	189	98	96	72	Ø26	26.0
KR4011-90A	KR4012-90A	3-1/2"	3-1/2"	23	300	335	208	103	115	83	Ø31	35.0
KR4011-100A	KR4012-100A	4"	4"	23	325	407	258	131	153	93	Ø40	53.0
KR4011-125A	KR4012-125A	5"	5"	23	380	445	268	119	196	118	Ø40	85.0
KR4011-150A	KR4012-150A	6"	6"	27	500	522	316	143	220	145	Ø60	120.0

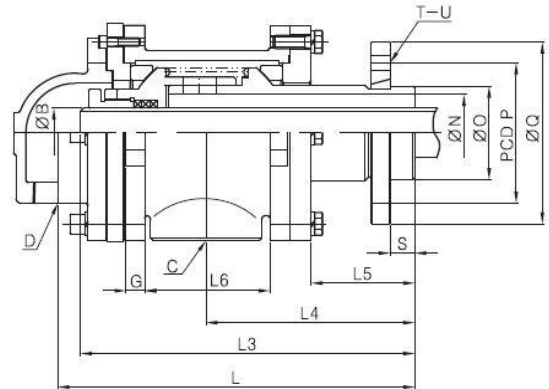
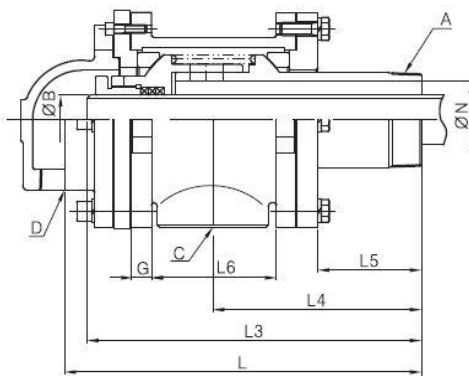
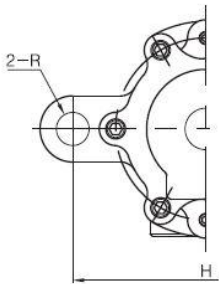
MODEL NO.	C	G	H	L	L4	L5	L6	N	O	P	Q	R	S	T	U	Wt
FLANGE	(PT)															(kg)
KR4015-50A	2"	15	200	237	150	80	76	45	59.5	100	130	Ø21	25	4	Ø14	13.7
KR4015-65A	2-1/2"	14	220	266	144	75	90	57	75.5	120	167	Ø22	25	4	Ø14	16.6
KR4015-80A	3"	18	250	299	189	98	96	72	87.5	145	190	Ø26	25	4	Ø18	29.0
KR4015-90A	3-1/2"	23	300	335	208	103	115	83	100	150	195	Ø31	25	4	Ø18	39.0
KR4015-100A	4"	23	325	407	258	131	153	93	113	170	220	Ø40	30	6	Ø18	57.0
KR4015-125A	5"	23	380	445	268	119	196	118	138	200	250	Ø40	30	6	Ø20	101.0
KR4015-150A	6"	27	500	522	316	143	220	145	170	240	290	Ø60	35	12	Ø20	132.0



복식 내관 회전 [DUPLEX | ROTARY SYPHON]

KR4021 / KR4022

KR4025



[unit : mm]

MODEL NO.		A	B	C	D	G	H	L	L3	L4	L5	L6	N	Wt
PT [RH]	PT [LH]	(PT)	(Ø)	(PT)	(PT)									(kg)
KR4021-50A-Ø33	KR4022-50A-Ø33	2"	33	1-1/2"	1"	15	200	265	245	150	80	76	45	12.5
KR4021-65A-Ø33	KR4022-65A-Ø33	2-1/2"	33	2"	1"	14	220	290	270	144	75	90	57	15.0
KR4021-80A-Ø42	KR4022-80A-Ø42	3"	42	2-1/2"	1-1/4"	18	250	339	300	189	98	96	72	26.0
KR4021-90A-Ø48	KR4022-90A-Ø48	3-1/2"	48	3"	1-1/2"	23	300	368	342	208	103	115	83	39.0
KR4021-100A-Ø60	KR4022-100A-Ø60	4"	60	3-1/2"	2"	23	325	443	415	258	131	153	93	53.0
KR4021-125A-Ø75	KR4022-125A-Ø75	5"	75	4"	2-1/2"	23	380	509	470	268	119	196	118	85.0
KR4021-150A-Ø88	KR4022-150A-Ø88	6"	88	5"	3"	27	500	591	539	316	143	220	145	120.0

MODEL NO.	B	C	D	G	H	L	L3	L4	L5	L6	N	O	P	Q	R	S	T	U	Wt
FLANGE	(Ø)	(PT)	(PT)																(kg)
KR4025-50A-Ø33	33	1-1/2"	1"	12	200	265	245	150	80	76	45	59.5	100	130	Ø21	25	4	Ø14	14.2
KR4025-65A-Ø33	33	2"	1"	9	220	290	265	154	85	90	57	75.5	120	167	Ø22	25	4	Ø14	18.6
KR4025-80A-Ø42	42	2-1/2"	1-1/4"	10	250	339	300	189	98	96	72	87.5	145	190	Ø26	25	4	Ø18	32.0
KR4025-90A-Ø48	48	3"	1-1/2"	12	300	368	342	208	103	115	83	100	150	195	Ø31	25	4	Ø18	43.0
KR4025-100A-Ø60	60	3-1/2"	2"	16	325	443	415	258	131	153	93	113	170	220	Ø40	30	6	Ø18	64.0
KR4025-125A-Ø75	75	4"	2-1/2"	18	380	509	470	268	119	196	118	138	200	250	Ø40	30	6	Ø20	104.0
KR4025-150A-Ø88	88	5"	3"	24	500	591	539	316	143	220	145	170	240	290	Ø60	35	12	Ø20	162.0