

Ports Modbus Multiplexer and Converter

SGW1-IA3-MMP



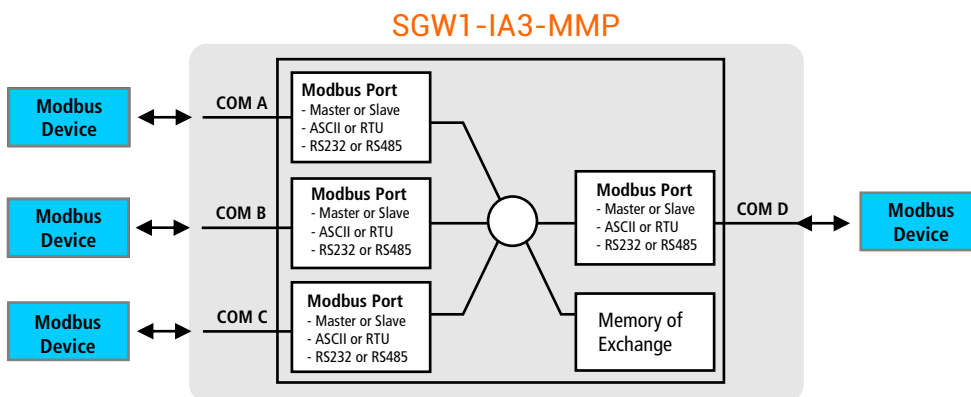
The SGW1-IA3-MMP, is a multifunction device that allows to perform the following functions:

- 1) Modbus Port Multiplexing (Masters and Slaves)
- 2) Conversion of Modbus ASCII data to Modbus RTU, with different Baud Rates and with RS232 or RS485 ports
- 3) Exchange of Registers between Modbus Masters, by means of an exchange memory

★ FEATURES

- Up to 3 ports to connect Masters.
- Up to 3 ports to connect Slaves.
- No need of registers tables.
- DIN Rail mounting.
- Wide range power supply, 10 to 30 Vdc.
- Easy configuration.
- Industrial pluggable terminal blocks.
- USB Configuration

⚙️ INTERNAL SCHEME



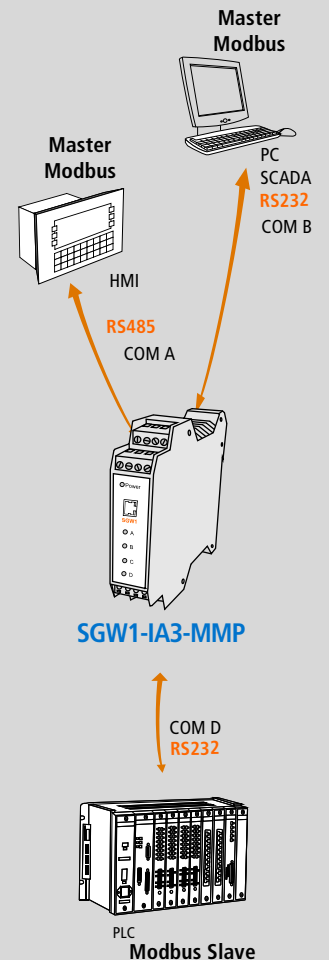
✓ 3 FUNCTIONALITIES ON 1 SINGLE EQUIPMENT

- Ports Modbus Multiplexer
- Converter Modbus ASCII to Modbus RTU (RS232 or RS485)



The SGW1-IA3-MMP is a multifunction device, which allows Multiplexing, Conversion and Data Exchange between Modbus Serial devices.

Example 2 Masters interrogate To the same Slave Modbus



TECHNICAL FEATURES

- **Network Protocols:** Modbus RTU, Modbus ASCII

- **Network Port:** 4 RS232/RS485 In plug-in terminals + 1 USB kind B.

- **Configuration:** USB console

- **Firmware upgrade:** Upgradable by console RS232

- **LED´s Indicators:** Powe supply , Modbus data

- **Dimmensions:** 100 mm x 22,5 mm x 112 mm (H x W x D).

- **Power Supply:** 10 a 30 [Vdc].

- **Current used:** 12 Vdc 70 [mA] / 24 Vdc 40 [mA].

- **Temperature:** Operation temperature: -15 a 65 °C.
Storage temperature: -40 a 75 °C.

- **Support:** 1-year guarantee. Technical Support included



ORDERING INFORMATION

PART NUMBER	DETAILS
SGW1-4B0-00-IA3-MMP	4 RS232/RS485 ports configurables
SGW1-13B0-00-IA3-MMP-CF	1 configurable RS232 with RTS for radio control + 3 RS232/RS485 ports configurables

SISTEMA DE GESTIÓN ISO 9001:2008



GESTION DE LA CALIDAD

RI-9000-6174

Accreditado por OAA

www.exemys.com

For Technical support
support@exemys.com

For Sales
sales@exemys.com

Exemys products are in constant evolution to satisfy our customers needs. For that reason, the specifications and capabilities are subject to change without prior notice. Updated information can be found at www.exemys.com
Copyright © Exemys. All Rights Reserved