

Digital and Analog I/O in Modbus Serial

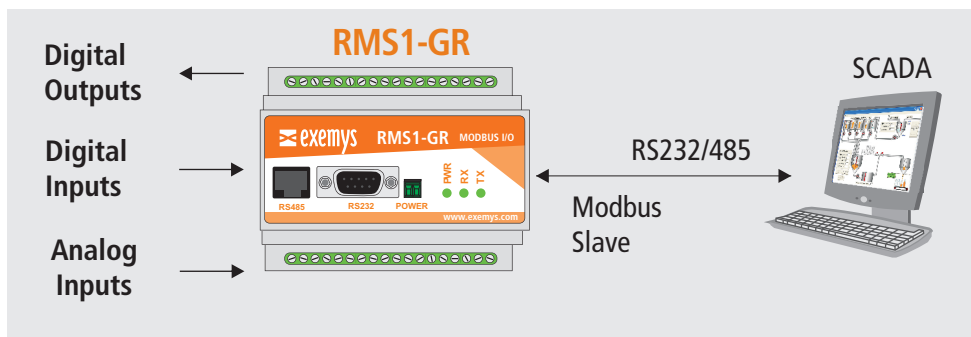
RMS1-GR



The RMS1-GR allows the expansion of the number of digital and analog inputs and outputs of any control or automation system handled from the Modbus Serial protocol (RTU or ASCII)
By using its Modbus Master feature it's possible to create a input/output digital "tunnel"

RMS1-GR is a family of digital and analog input and output devices, with communication by Modbus Serial (RTU/ASCII)

★ EXAMPLE



★ FEATURES

- Up to 16 Relay or Transistor outputs
- Up to 16 Transistor or Opto-Isolated inputs
- Up to 6 Analog Inputs (0-10V)
- Power supply from 10 to 30Vdc
- RS232 or RS485 Serial Port
- Simple configuration
- Master Mode to create digital I/O tunnel
- Dimensions: 10,5 x 9 x 6 cm (W, H, D)

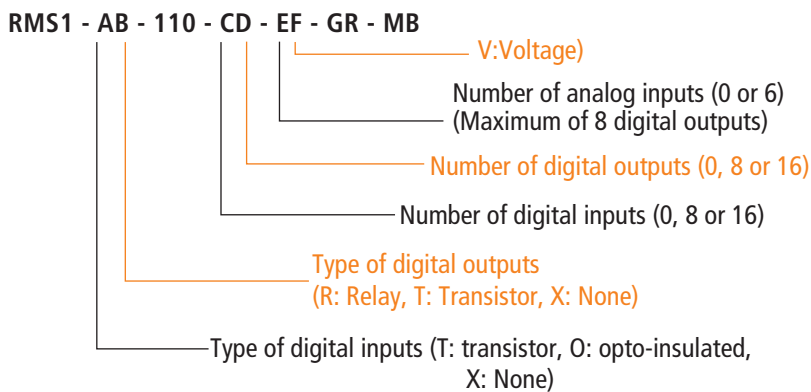


TECHNICAL FEATURES

- **Power supply:** +10Vdc to +30Vdc
- **Serial Port:** RS232 or RS485
- **Serial protocol:** Modbus ASCII/RTU Slave
- **Digital Inputs:** Transistor / Optoisolated (*). ON voltage = +3.5Vdc Min. a +28Vdc Max.
- **Digital outputs:** Transistor / Relay (*). Open Drain, 3 to 45Vcc Max., 50mA Max.
- **Analog Inputs:** 0-10Vdc (0 to 1000 counts) - Impedance 22 Kohm
- **Leds Indicators:** Power, Transmit, Receive.
- **Temperature:** Storage: -40 a +75 °C. Working: -5 a +65 °C

(*). According to equipment model. View Order Codes

ORDER CODE



Example: RMS1-OR-110-1616-0X-GR-MB

16 opto-insulated inputs
16 outputs to relay
No analog inputs

MODELS

- RMS1-TT-110-1616-0X-GR-MB
- RMS1-TT-110-168-6V-GR-MB
- RMS1-OR-110-1616-0X-GR-MB
- RMS1-OR-110-168-6V-GR-MB

CERTIFICATE ISO 9001:2015



GESTION DE LA CALIDAD

R1-9000-6174
Accreditado por OAA



www.exemys.com

For sales, please contact:
sales@exemys.com

For technical support, contact:
soporte@exemys.com

All Exemys products are in constant evolution to satisfy our client needs. For this reason, specification and characteristics are subject to change without previous notice. You can find updated information at www.exemys.com