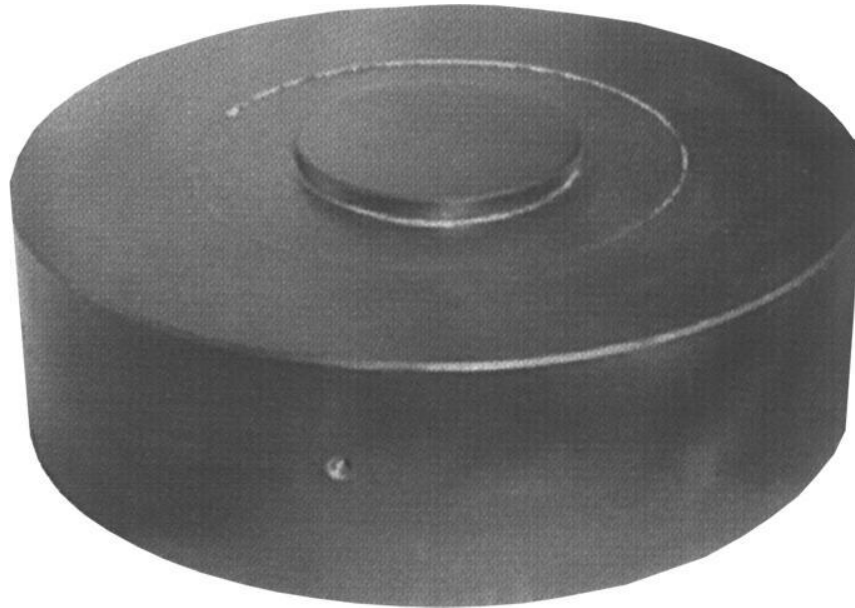


Type H2A Load Cell



Short description



- Nickel plated alloy steel IP67 compression load cell
- High accuracy
- Suitable for special measuring equipment

Available models

Capacity	Accuracy	Full article description
1MN	G2/G3/G5/G10	H2A-G2/G3/G5/G10-1MN-5T
2MN	G2/G3/G5/G10	H2A-G2/G3/G5/G10-2MN-5T
3MN	G2/G3/G5/G10	H2A-G2/G3/G5/G10-3MN-5T
4MN	G2/G3/G5/G10	H2A-G2/G3/G5/G10-4MN-5T
5MN	G2/G3/G5/G10	H2A-G2/G3/G5/G10-5MN-5T

Specifications and dimensions are subject to change without notice and do not constitute any liability whatsoever.

Type H2A Load Cell

Detailed specifications H2A

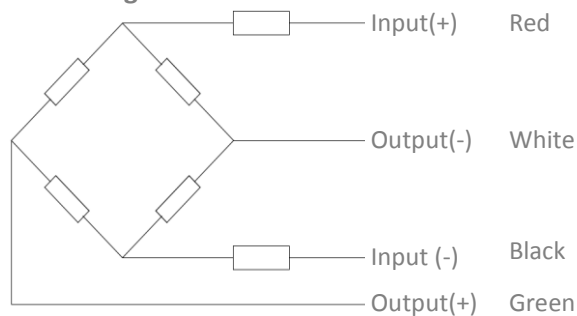
Accuracy class		G2	G3	G5	G10
Output sensitivity (= FS)	mV/V	≥2.0			
Maximum capacity (E _{max})	MN	1,2,3,4,5			
Ratio of min. LC verification interval	$Y = E_{max} / v_{min}$	1500			
Combined Error	%FS	≤± 0.2	≤± 0.3	≤± 0.5	≤± 1.0
Minimum dead load	Of E _{max}	0%			
Safe overload	of E _{max}	150 %			
Ultimate overload	of E _{max}	300 %			
Zero balance	of FS	< ± 1.0 %			
Excitation, recommended voltage	V	5 ~ 12			
Excitation maximum	V	18			
Input resistance	Ω	1072 ± 5			
Output resistance	Ω	1050 ± 5			
Insulation resistance	MΩ	≥5000 (at 50VDC)			
Compensated temperature	°C	-10 ~ +40			
Operating temperature	°C	-35 ~ +65			
Storage temperature	°C	-40 ~ +70			
Element material		Nickel plated alloy steel			
Ingress Protection (acc. to EN 60529)		IP67			
Recommended torque on fixation	Nm	M16: 200			

Wiring

Wiring:

Shielded, 4 conductor cable.
Cable diameter: Ø5mm
Standard cable length: 5m
Shield not connected to element

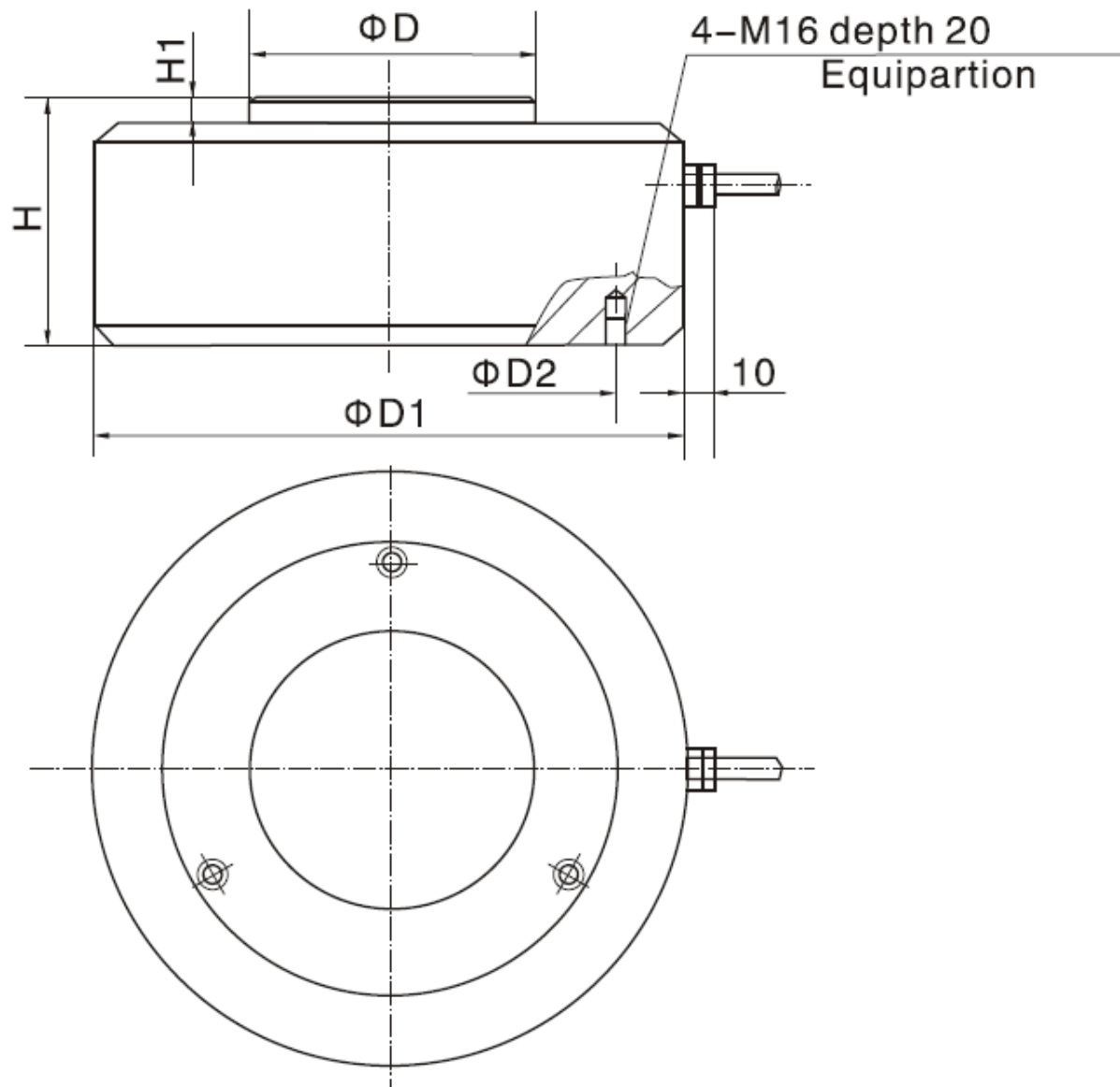
4-wire diagram



Specifications and dimensions are subject to change without notice and do not constitute any liability whatsoever.

Type H2A Load Cell

Dimensions in mm



Dimension Capacity	D	D1	D2	H	H1
1MN	59	260	200	80	10
2MN	78	290	225	104	10
3MN	91	330	251	123	10
4MN	110	400	296	132	10
5MN	133	400	307	132	10

Specifications and dimensions are subject to change without notice and do not constitute any liability whatsoever.