

# Dust Detector

For broken bag detection & environmental measure

## Triboelectric *Dust Switch*

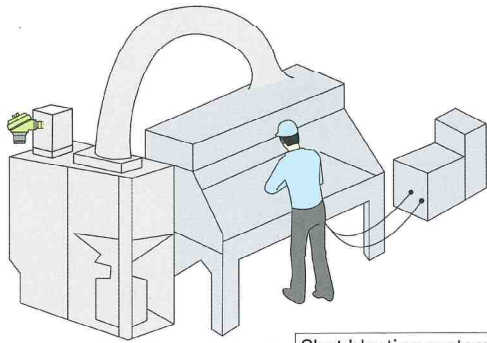
PFM Series



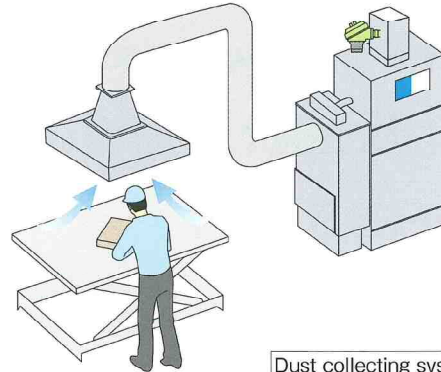
### Features

- ▶ DUST SWITCH is working environment protection sensor which is possible to mount general-purpose small size dust collector to monitor the filter condition.
- ▶ Light weight and compact (amplifier integrated)
- ▶ No difficult adjustment required
- ▶ NPN output possible to connect directly with PLC

## Application example



Shot blasting system



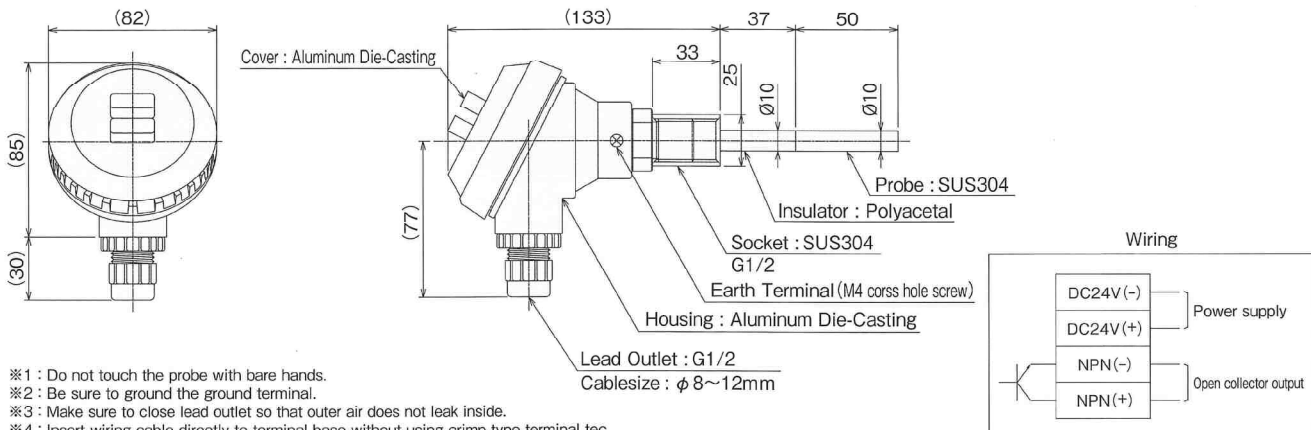
Dust collecting system

## Specification

Model	PFM-DSW10
Construction	Sensor with integrated transducer
Power supply	24VDC ±10%
Power consumption	2W
LED display	Power lamp Green (ON=lighting)
	Detect lamp Red (ON=lighting)
Output signal	Open collector output 1 output (NPN)
Output capacity	Load voltage:DC5-30V, Load current:50mA Max
Enclosure	Protection Rating:IP54 (Cover and lead outlet must be properly tightened)

Dimension	Probe 50mm (below insulation part)
	insulator 50mm
Material	Probe : SUS304
	insulator : Polyacetal (POM)
	Housing : Aluminum Die-Casting
Allowable temperature	0 to +55°C
Allowable humidity	90%max. (Without condensation)
Sensor mounting	G1/2 screw(G1/2 socket)
Approx.Mass	0.5kg

## Dimension (mm)



- ※1 : Do not touch the probe with bare hands.
- ※2 : Be sure to ground the ground terminal.
- ※3 : Make sure to close lead outlet so that outer air does not leak inside.
- ※4 : Insert wiring cable directly to terminal base without using crimp-type terminal tec.



**Caution**

- Read the instructions to ensure correct and suitable application of products.
- Contact our nearest sales office when using our products for any systems used in situations which may be life threatening.

Specifications are subject to change without notice.  
All Rights Reserved Copyright©2014, Matsushima Measure Tech Co., Ltd.

Distributor



## Matsushima Measure Tech Co., Ltd.

**HEAD OFFICE**  
1-8-18, NORIMATSU-HIGASHI, YAHATANISHI-KU, KITAKYUSHU,  
807-0837 JAPAN  
Tel: +81-93-691-3731 FAX: +81-93-691-3735

**Chicago Representative Office**  
1600 GOLF ROAD, SUITE 1200, ROLLING MEADOWS, IL 60008, USA  
Tel: +1-847-981-4742 FAX: +1-847-890-6688

**Pohang Representative Office**  
Odyssey Bldg. 1F, 41, Jukdo-ro 28beon-gil, Buk-gu, Pohang-si,  
Gyeongsangbuk-do, 791-841, Korea  
Tel: +82-(0)54-274-3731 FAX: +82-(0)54-274-3731

**Affiliated company**  
Shanghai Dahong Matsushima Machinery Co., Ltd.  
70 Hengchang Road, Dahong, Malu, Jiading, Shanghai 201818, China  
Tel: +86-(0)21-5951-4138 FAX: +86-(0)21-5951-4139

http://www.matsushima-m-tech.com E-mail : info@matsushima-m-tech.com