

Data Sheet for Joysticks

Finger Joystick

Series 826



- 1 to 2 Axes
- Potentiometers outside of housing
- Protection Grade IP65

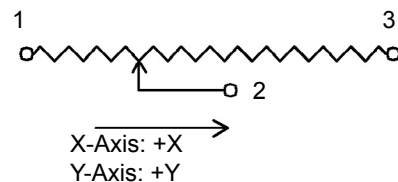
Optional configurations: Pushbutton on top of handle, center detent, external trim, up to 6 micro switches, adjustable friction clutch.

Technical Data Joystick

Angle of Movement X+Y Axis	$\pm 30^\circ \dots \pm 35^\circ$
Return to Center Accuracy X+Y Axis	$\pm 1^\circ$
Operating Force X+Y Axis	3 .. 15 N
Lifetime	typ. 5 million cycles
Vibration 10 bis 55 Hz, 1 min.	10 G (MIL-STD-202F-204)
Shock	30 G (MIL-STD-202F-213)
Protection Grade	IP65 (above panel)
Operating Temperature	-20°C .. +65°C
Weight	ca. 350 g
Panel Thickness	max. 3,2 mm

Technical Data Potentiometer Type F

Technology	Conductive plastic
Nominal Total Resistance	10 kOhm
Resistance Tolerance	$\pm 15\%$
Independent Linearity	$\pm 3\%$
Power Rating @ 40°C	0,15 W
Effective Electrical Angle of Rotation	60°
max. Wiper Current	1 mA



Data Sheet for Joysticks

Finger Joystick

Series 826

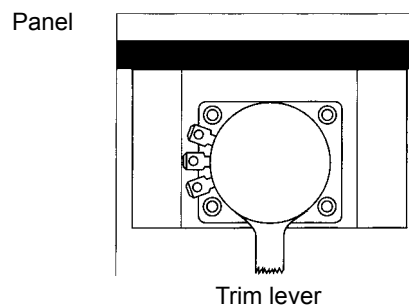
Pushbutton & Micro Switches

The joystick series 826 offers the option to integrate micro switches for deflection-dependent switch actuation. Three different angles per axis can be defined, e.g. one switch to detect the center position of the joystick handle plus one switch at $+10^\circ$ and -10° each. Due to the large number of different combination we cannot give a complete list of Order Codes. We recommend to contact us personally to identify the optimal solution for your needs.

Technical Data	Pushbutton (handle)	Micro Switch	Center Detect
Voltage / Current (max.)	125 VAC / 6 A	125 VAC / 5 A	30 VDC / 100mA
Lifetime (typ.)	25000	200000	100000

Trim Option „3“

Using the Trim function, potentiometers can repeatedly be adjusted („trimmed“) to an individual „0“ position.



Data Sheet for Joysticks

Finger Joystick

Series 826

Order Code

Series	826								
Axes									
1 Axis (*)		1 (*)							
2 Axes		2							
2 Axes with Pushbutton		3							
1 Axis with Pushbutton		6 (*)							
Rubber Boot			5						
Spring Return				1					
no Spring Return				2 (*)					
Friction Clutch, with Detent in Center Position				5 (*)					
Friction Clutch, w/o Detent				6 (*)					
Handle versions									
Ball-Tip, Ø25 mm					3				
Cylindrical handle, with Pushbutton, Ø30 mm					6				
Conkave handle, Ø32 mm					4 (*)				
w/o Trim						1			
External Trim						3 (*)			
Potentiometer Type F							4		
Limiters									
Round								0	
Single-axis Y (*)								8 (*)	
X-/Y-Axis „+“ (*)								9 (*)	
Micro Switches									0
none									1
Center Detect X-/Y-Axis									4 (*)
Switches ON @ ±3°, X-/Y-Axis									5 (*)
Switches ON @ ±3°, Center Detect, X-/Y-Axis									6 (*)
Switches ON @ ±5°, Y-Axis									7 (*)
Switches ON @ ±5°, Center Detect, X-/Y-Axis									
Additional Options									
Mounting Plate									M (*)
Potentiometer with Center Tap									CT (*)

Bold print = Standard options
 (*) upon request

For higher quantities or on-going demand, additional options are available

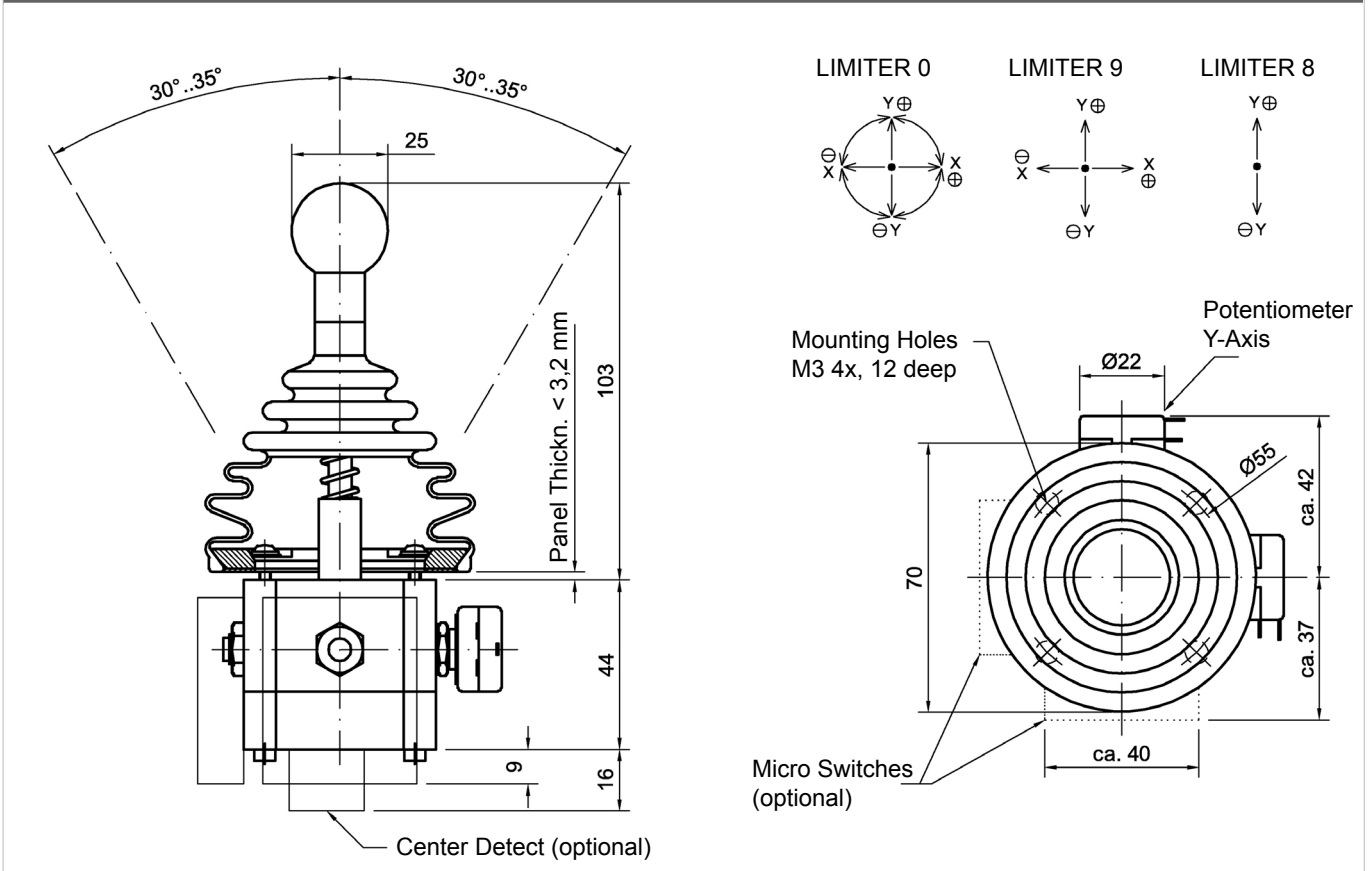
For example:

- Combinations of micro switches
- Customer-specific cable

For technical advice, projects, samples, questions about pricing, delivery times and availability please contact us

Tel.: +49 89 46094-500
 export@megatron.de

Technical Drawing



Dimensions in mm

Installation

