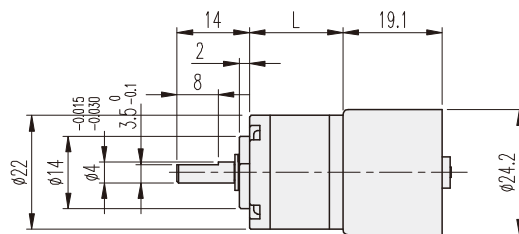
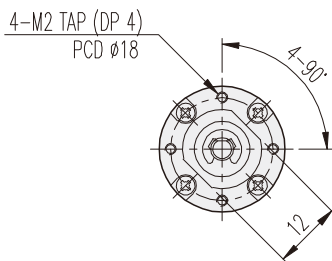


K22-TYPE

Planetary GEARHEAD

DIMENSIONS

K22-2419 BLDC SERIES



GEARHEAD LENGTH

RATIO	L	RATIO	L
1/4	14.4	1/198 ~ 1/455	25.35
1/14 ~ 1/19	18.05	1/742 ~ 1/1996	29
1/53 ~ 1/104	21.7		

BLDC MOTOR PERFORMANCE DATA

MODEL	ITEM	VOLTAGE (DC)	NO LOAD		AT MAX. EFF.			WEIGHT (g)
			mA	rpm	gf-cm	mA	rpm	
NB2419U1		12V	120	6200	25	200	4500	30
NB2419R2		24V	100	8700	18	180	7200	

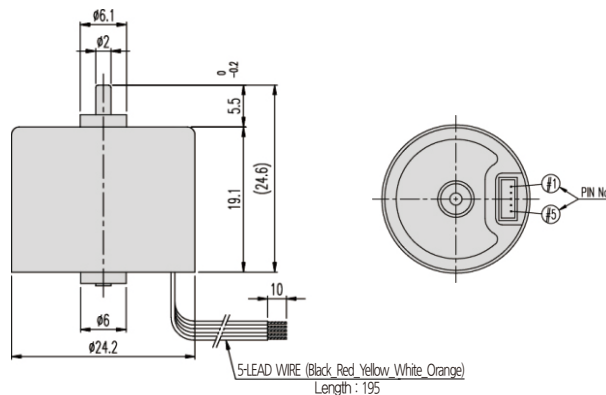
AT MAXIMUM EFFICIENCY (K22-□□□□-NB2419□□)

MODEL	NB2419U1		NB2419R2	
	DC 12V		DC 24V	
	rpm	kgf-cm	rpm	kgf-cm
1/004	1125	0.09	1800	0.06
1/014	321	0.29	514	0.2
1/016	281	0.33	450	0.23
1/019	237	0.39	379	0.27
1/053	85	1	136	0.68
1/062	73	1.1	116	0.8
1/072	63	1.3	100	0.93
1/084	54	1.6	86	1.1
1/104	43	1.9	69	1.3
1/198	22.7	3	36	2.3
1/231	19.5	3	31	2.7
1/270	16.7	3	26.7	3
1/316	14.2	3	22.8	3
1/370	12.1	3	19.5	3
1/455	9.9	3	15.8	3
1/742	6	3	9.7	3
1/1014	4.4	3	7.1	3
1/1249	3.6	3	5.7	3
1/1621	2.8	3	4.4	3
1/1996	2.3	3	3.6	3

How to connect when speed control is not needed.

No - Color	Pin - Contents	Connection Method
1 - Black	GND	connecting to (-) power
2 - Red	12V	connecting to (+) power
3 - Yellow	1FG	No Use
4 - White	PWM	CW connecting to (-) power
5 - Orange	CW/CCW	Normal Open, CCW connecting to (-) power

* Please be cautious that Motor can be damaged when connected to incorrect power (+) (-).



- * Gearbox output shaft rotation direction is same direction with motor.
- * Proceed function change in motor stop type.
- * Controller for speed control is GUN type.