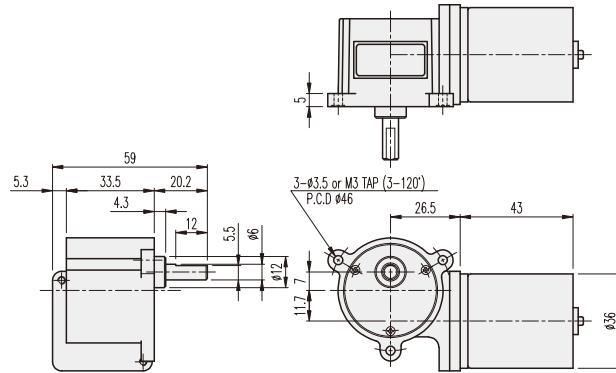
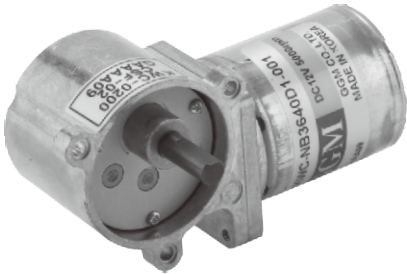


## KWC-TYPE

Worm GEARHEAD

### DIMENSIONS

#### KWC-3640 BLDC SERIES



#### BLDC MOTOR PERFORMANCE DATA

MODEL	ITEM	VOLTAGE (DC)	NO LOAD		AT MAX. EFF.			WEIGHT (g)
			mA	rpm	gf-cm	A	rpm	
NB3640S1		12V	500	5300	150	1.2	4500	150
NB3640S2		24V	300	5000	250	0.8	3900	

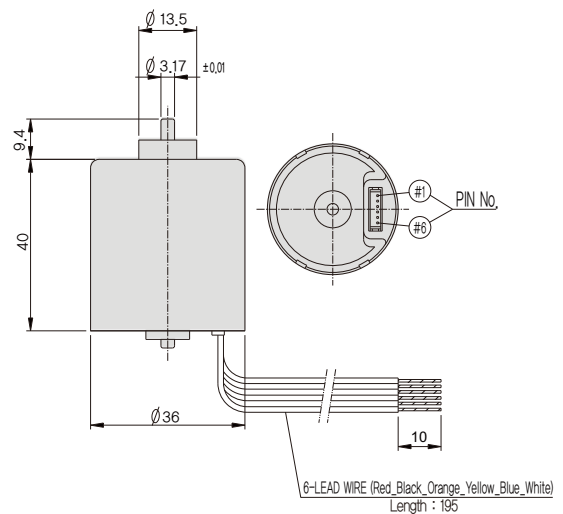
#### AT MAXIMUM EFFICIENCY (KWC-□□□□-NB3640S□)

GEAR	NB3640S1		NB3640S2	
	DC 12V		DC 24V	
	rpm	kgf-cm	rpm	kgf-cm
1/025	180	3	156	5
1/030	150	3.6	130	6
1/050	90	6	78	6
1/060	75	6	65	6
1/075	60	6	52	6
1/100	45	6	39	6
1/125	36	6	31.2	6
1/150	30	6	26	6
1/200	22.5	6	19.5	6
1/250	18	6	15.6	6
1/300	15	6	13	6
1/375	12	6	10.4	6
1/500	9	6	7.8	6
1/600	7.5	6	6.5	6
1/750	6	6	5.2	6
1/900	5	6	4.3	6
1/1050	4.2	6	3.7	6
1/1350	3.3	6	2.8	6
1/1500	3	6	2.6	6

#### How to connect when speed control is not needed.

No - Color	Pin - Contents	Connection Method
1 - White	Brake	No Use, (-) connectin Brake
2 - Blue	PWM	connecting to (-) power
3 - Yellow	1FG(6P/R)	No Use
4 - Orange	CW/CCW	Normal Open, CCW connecting to (-) power
5 - Black	GND	connecting to (-) power
6 - Red	24V	connecting to (+) power

\* Please be cautious that Motor can be damaged when connected to incorrect power (+) (-).



- \* [ ] color gear ratios are CW rotation direction. [ when motor rotation direction is CCW ]
- \* Proceed function change in motor stop type.
- \* Controller for speed control is GUN type.