

TRANSMITTER / DISPLAY SET

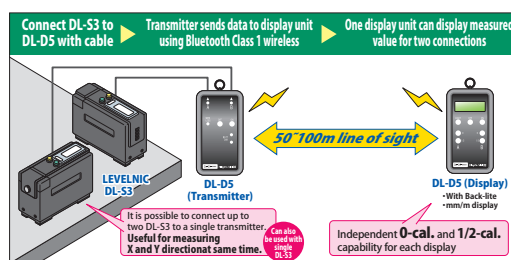
For displaying measurements from two DL-S3 series products in one handy device at the same time.
Suitable for X and Y direction measurement.

USE

- Transmit and display measurements for up to two Levelnic DL-S3 series products

FEATURES

- Simultaneous display of two connected DL-S3 series products. Useful for measuring X and Y directions.
- Eases installation of large machine tools by allowing multiple operators to work at same time
- Measured data is more easily visible, especially when used in locations which are remote or have low clearance height
- Since transmitter and receiver are a paired set, there is no need to set up after purchase -- it can be used immediately



SPECIFICATIONS

	Transmitter	Display
Input	Levelnic DL-S3 series external signal (×2)	—
Display	—	16 char × 2 lines character size = 4.9 × 2.5mm with backlight
Wireless	Bluetooth Class1 ^{※1}	
Communication Range	50 ~ 100m line-of-sight (depending on conditions)	
Operating Temperature	0 ~ 40°C	
Power	2 × AA battery (can also use commercially available rechargeable batteries)	
Operating life (continuous use)	Communicating with display device: Approx. 17 hrs. attempting communication with display: Approx. 3 hrs.	Alkaline cells: Approx. 8 hrs.
Dimensions	144 × W76 × D27mm (including lanyard ring) (when mounted in silicone cover: L147 × W81 × D35mm)	
Accessories	2 × connecting cable (approx. 80cm length) 2 × AA battery, silicone cover	2 × AA battery, silicone cover

- ※ 1: Our Bluetooth system qualification is with TELEC (Japan), FCC (U.S.A), CE (EU), KCC (South Korea)
- ※ 2: The value of three decimal places digit of the display may show inappropriate number when using DL-m3
- ※ 3: Including batteries and silicone cover

Order No.	Model No.	Compatible Model	Weight
010043	DL-D5	DL-S3 series • DL-S3L • DL-m3 ^{※2}	290g each ^{※3}

LEVELNIC DISPLAY

Can display data at a distance. Enables measurement process to be done by one person.
The work for two can be done by one person.

USE

- Levelnic measurement data display

MATERIAL

- Body: Stainless steel

FEATURES

- Can divide measurement value into half with one-touch operation (DL-S2W series only)



Combination example with DL-S2W

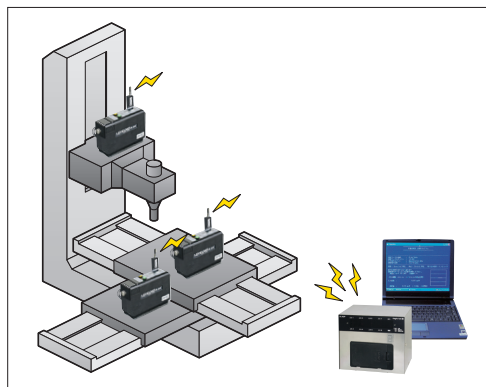
SPECIFICATIONS

Display Range	As per Levelnic spec.	
Minimum Reading	As per Levelnic spec.	
Operating Temperature	0 ~ 40°C	
Input Signal	Conforms to RS-232C (Levelnic digital output signal only)	
Power Source	9V dry cell (nominal voltage 8.4V rechargeable battery can also be used) / AC adaptor (included)	
Run time (continuous use)	With wireless connection: Alkaline cell: Approx. 5 hrs. With cable connection: Alkaline cell: Approx. 60 hrs. ※ May vary depending upon measurement conditions	
Dimensions	L116 × W62 × H48mm	
Applicable Levelnic	DL-S3 series, DL-S3L, DL-m3 series, DL-m3LS, DL-S2W series, DL-S4W series (wired) ※ DL-P5AD, DL-P6 can also use cable connection ※ DL-S2W, DL-BW can connect using built-in wireless capability ※ DL-S4W (USB receiving unit), DL-S2W (USB), DL-BW (USB) cannot be used on this unit	
Accessories	AC adaptor (DC9V output • AC100V ~ 240V), 9V dry cell, instruction manual	

Order No.	Model No.	Weight
010024	DL-D4	330g

LEVELNIC DATA SYSTEM

Enables data display and saving of up to eight Levelnic with one PC



USE

- For data management of multiple Levelnics

MATERIAL

- Body: Stainless steel

FEATURES

- Eight Levelnics can be connected at once
- Data display & recording software included (auto capture function)

Example using multiple units with Bluetooth wireless communication

SPECIFICATIONS

Order No.	Model No.	Software Language	Weight
010037	DL-ADP	Japanese	1.6kg
010089	DL-ADP-E	English	1.6kg

Input	D-SUB (9 pins, male) RS-232C compliant, 8 inputs (for Levelnic connection only) 1200 baud, 1 stop bit, no parity, no handshaking
Output	D-SUB (9 pins, male)* RS-232C compliant, 1 output (PC connection) 9600 baud, 1 stop bit, no parity Hardware flow control
Operating Temperature	0 ~ 40°C
Power Source	AC100V adapter (DC9V output) AA batteries 6 pcs (rechargeable battery can also be used) ※ Run time depends on number of Levelnics
Dimensions	W180 × H150 × D130mm
Applicable Levelnic	DL-S3 series, DL-S3L, DL-m3 series, DL-m3LS, DL-S2W series, DL-S4W series (wired) ※ DL-P5AD, DL-P6 can also use cable connection ※ DL-S2W, DL-BW can connect using built-in wireless capability ※ DL-S4W (USB receiving unit), DL-S2W (USB), DL-BW (USB) cannot be used on this unit
Accessories	Data recording software, RS-232C cross cable, AC adaptor (DC9V output 100V), AA battery × 6, instruction manual

※ PC without D-USB pin port (RS-232C) requires USB serial transmitter (optional)



LEVELNIC

PRECISION
LEVEL

ANGLE

LEVEL

PROTRA
CTOR

LEVELNIC SD LOGGER 3

Measured value is recorded directly on SD card.

Loading data automatically at a specific interval by script function.

USE

- To record measured value by Levelnic
- Measured value can be recorded on SD card without PC

FEATURES

- To record data on sites that PC is not suitable
- Recorded data by text format can be used with other software
- Loading data automatically at a specific interval by script written in advance on SD card
- Paperless by saving data on SD card



SPECIFICATIONS

Input	Levelnic RS-232C signal
SD card	SD / SDHC Max. 32GB
Power	AC adaper (DC9V) included
Dimensions	W120 × D100 × H39mm
Applicable Levelnic	DL-S4W (wired), DL-S3 series, DL-S3L, DLm3 series, DL-m3LS, DL-D3

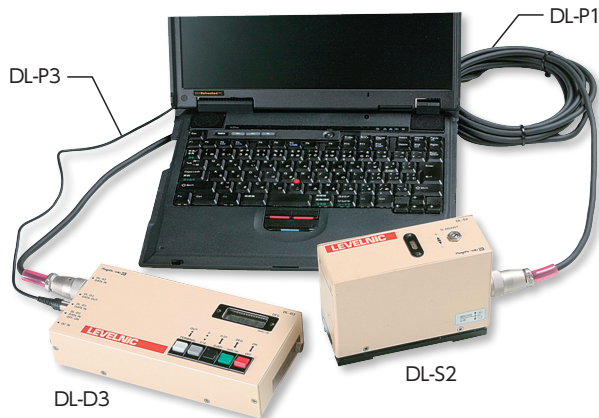
Order No.	Model No.	Weight
010044	DT-MCK3-XS-SK	170g

SEPARATE SYSTEM / LEVELNIC CABLE

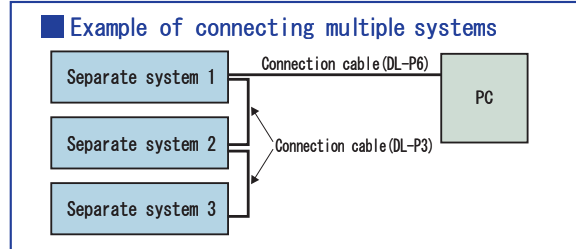


HOW TO MOVE

- High accuracy Digital Level
- Resolution 0.001mm/m



- Digital sensor (DL-S2) • Digital display (DL-D3) • Cable (DL-P1) as combined system
- ※ PC is not included



USE

- High precision leveling of machine tools and surface plates. Straightness and flatness measurement for digital display.

MATERIAL

- Body: Aluminum
- Sensor base: Cast iron

FEATURES

- Display allows machine tool data obtained by Levelnic to be close at hand
- Output data is available on built in RS-232C interface for connection to computer or printer
- Multiple output signals can be combined onto one signal allowing expansion to 2, 3, or 4 devices for easy processing
- Easy to fix the Datum point, divide measurement value into half with one touch operation
- Custom-made base can be attached to the threaded screw holes (M5 × P0.8) at the bottom base

SPECIFICATIONS

Measuring Range	$\pm 5.000\text{mm/m} \cdot \pm 0.2865^\circ$
Minimum Reading	0.001mm/m · 0.0001° 0.01mm/m · 0.001°
Operating Temperature	0 ~ 40°C
Accuracy	Operating temperature 17 ~ 23°C $\pm 0.85\%$ rdg (0 ~ $\pm 2\text{mm/m} \cdot 0 \sim \pm 0.1146^\circ$) $\pm 1.0\%$ rdg ($\pm 2 \sim \pm 5\text{mm/m} \cdot \pm 0.1146 \sim \pm 0.2865^\circ$)
	Operating temperature 0 ~ 40°C $\pm 2.6\%$ rdg (0 ~ $\pm 2\text{mm/m} \cdot 0 \sim \pm 0.1146^\circ$) $\pm 2.7\%$ rdg ($\pm 2 \sim \pm 5\text{mm/m} \cdot \pm 0.1146 \sim \pm 0.2865^\circ$)
Repeatability	Within $\pm 0.005\text{mm/m} \cdot \pm 0.0003^\circ$
Output Signal	Conforms to RS-232C*
Power Source	AA battery 6 pcs AC adapter (DC9V output · AC100V ~ 240V) included
Run time (continuous use)	Zinc-carbon cell: Approx. 27 hrs. Alkaline cell: Approx. 55 hrs. ※ May vary depending upon measurement conditions
Dimensions	DL-S2 L167 × W59 × H111mm (base dimension: L150 × W55mm) DL-D3 L235 × W106 × H51mm DL-P1 Length: 5m (standard cable) / DL-P3 Length: 4.5m
Accessories	● Shock resistant aluminum case ● Warranty · Instruction manual · Inspection report ● AC adapter (DC9V output · AC100V ~ 240V)

※ PC without D-USB pin port (RS-232C) requires USB serial transmitter (optional)

Order No.	Product	Model No.	Weight
010023	DISPLAY UNIT	DL-D3	1kg
010012	LEVELNIC	DL-S2	2kg
010031	CONNECTING CABLE FOR LEVELNIC	DL-P1	400g
010033	CONNECTING CABLE FOR DISPLAY UNIT	DL-P3	100g

PC connection cable

USE

- For connecting Levelnic to PC

SPECIFICATIONS

- Length: $\phi 3\text{mm} \times 5\text{m}$
- 9 pins connector (serial port connection)
- Applicable Levelnic: DL-S4W series, DL-S3 series, DL-S3L, DL-m3 series, DL-m3L, Separate system
- ※ PC without D-USB pin port (RS-232C) requires USB serial transmitter (optional)



Order No.	Model No.	Material
010040	DL-P6	2 cond. w/ shield (Cu)

LEVELNIC DL-S1



HOW TO MOVE

Digital display with 0.01 mm/m resolution.
 Unlike bubble level, there is no delay waiting for reading to settle, reducing human error.

- High precision Digital Level
- Resolution 0.01mm/m



USE

- High precision leveling of machine tools and surface plates, straightness and flatness measurement

MATERIAL

- Body: Aluminum
- Base: Cast iron

FEATURES

- Faster response than bubble level
- Wider range of measurement than conventional level
- Measurement can be taken in difficult-to-see position by pressing hold switch and then reading

SPECIFICATIONS

Measuring Range	± 9.99mm/m
Minimum Reading	0.01mm/m
Operating Temperature	0 ~ 40°C
Accuracy *1	Operating temperature 17 ~ 23°C ± 1.3% rdg Operating temperature 0 ~ 40°C ± 3.0% rdg
Repeatability	Within ± 0.01mm/m
Power Source *2	9V dry cell 1 pc AC adapter (100V ~ 240V) (optional)
Run time (continuous use)	Zinc-carbon cell: Approx. 25 hrs. Alkaline cell: Approx. 50 hrs. ※ May vary depending upon measurement conditions
Dimensions	L159 × W78 × H104mm (base dimension: L150 × W55mm)
Accessories	● Shock resistant aluminum case ● Warranty · Instruction manual · Inspection report ● 9V dry cell

※ 1: % rdg indicates percentage of displayed value

※ 2: AC adapter sold separately

Order No.	Model No.	Weight
010011	DL-S1	2.0kg

With V groove base - available on request

Model	DL-S1V
Rolling Error	Within 0.1mm/m when the bubble of auxiliary bubble tube is centered
Plane and V groove error	Within 0.05mm/m
V groove angle	130° (for cylindrical objects up to φ 65mm)



LEVELNIC

PRECISION
LEVEL

ANGLE

LEVEL

PROTRA
CTOR

LEVELNIC EL-01A SERIES



High-sensitive (0.01mm/m). Pendulum type level with analog output.
Three levels of sensitivity.

- High precision Analog Level
- Resolution 0.01mm/m



USE

- Leveling of machine tools and surface plates.
- Straightness and flatness measurements.

MATERIAL

- Body: Aluminum

FEATURES

- Quicker response than bubble level
- Sensitivity is switchable in three steps
- Connectible directly to commonly-available analog recorder through analog output
- Custom-made base can be attached to the threaded screw holes (M5 × P0.8) at the bottom base
- Pendulum system prevents any hysteresis errors and is not influenced by temperature change

SPECIFICATIONS

Sensitivity	I : 1Division = 0.01mm/m II : 1Division = 0.05mm/m III : 1Division = 0.1mm/m
Measuring Range (3 Range)	± 0.2mm/m (1Division 0.01mm/m) ± 1mm/m (1Division 0.05mm/m) ± 2mm/m (1Division 0.1mm/m)
Operating Temperature	0 ~ 40°C
Pointing Error	Within ± 0.5 Division
Repeatability Accuracy	Within ± 0.005mm/m
Output Signal	Analog output ± 200mV F.S. (for all range) Connectible load resistance: No less than 100 Ω
Power Source	9V dry cell 1 pc AC adapter (DC9V output · AC100V ~ 240V) included
Run time (continuous use)	Zinc-carbon cell: Approx. 25 hrs. Alkaline cell: Approx. 50 hrs. ※ May vary depending upon measurement condition
Base Dimension	L150 × W85 × H195mm ※ Excluding Handle (dimension: L150 × W55mm)
Accessories	● Shock resistant aluminum case ● Warranty · Instruction manual · Inspection report ● AC adapter (DC9V output · AC100V ~ 240V) ● 9V dry cell

Order No.	Model No.	Base Material	Weight
010005	EL-01A	Cast iron	2.9kg
010116	EL-01A SUS	Stainless steel SUS303	2.9kg

■ Connection Cable / EL-K2

USE

- Connects to analog recorder with analog output of EL-01A

SPECIFICATIONS

- Length: φ3 × 5m ● Recorder: Banana plug
- Levelnic: M3 plug

Order No.	Model No.	Weight
010082	EL-K2	150g

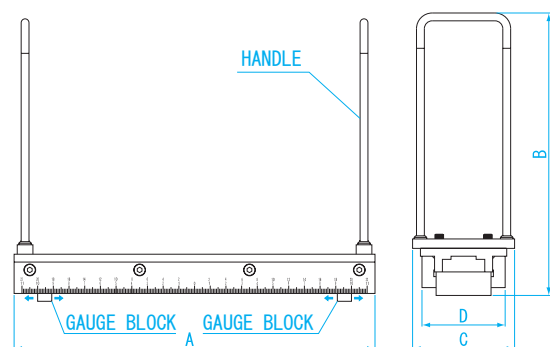
LEVELNIC BASE WITH ADJUSTABLE PITCH

By attaching Levelnic to this base, any desired measurement pitch can be set



LP-300

● DIMENSIONS



USE

- Setting a fixed pitch for straightness and flatness measurements

MATERIAL

- Carbon steel for machine structural use

FEATURES

- Applicable levelnic: DL-S4 series, DL-S3 series, DL-S2W series, DL-S2, EL-01A series
- The base is graduated in mm and enables setting measurement pitch
- Measuring face consists of 2 pcs of 15mm Gauge block

Units: mm

Model No.	A	B	C	D
LP-200	230	180	65	55
LP-300	330	180	65	55

Order No.	Model No.	Measurement pitch range (mm)	Weight
010020	LP-200	50 ~ 200	1.8kg
010021	LP-300	50 ~ 300	2kg

CARRYING CASE FOR LEVELNIC

Shock resistant aluminum case for Levelnic. Suitable for storage and carrying.



LV-CS3



LV-CM1

USE

- Carrying case for Levelnic
(Levelnic is a precision instrument, we recommend that you use a carrying case)

MATERIAL

- Body: Aluminum
- Inside: Urethane foam

FEATURES

- Applicable levelnic:
LV-CS3: DL-S4W series, DL-S3 series, DL-S2W series, DL-S2, DL-S1
LV-CM1: DL-m1 series, DL-m3 series
- Shock protection during transport

Order No.	Model No.	Dimensions (mm)	Weight
010025	LV-CS3	362 × 236 × 184	1.50kg
010026	LV-CM1	250 × 200 × 150	0.97kg

SOFTWARE FOR LEVELNIC

Software for Levelnic.
Simple operation and graphics for easy use and understanding.

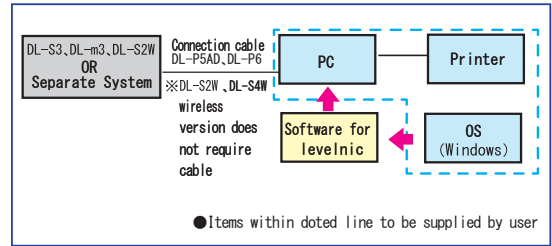
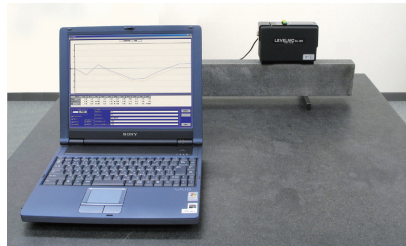
Straightness measurement computer software (ST) Flatness measurement computer software (FL)

- Greatly reduces measurement time by recording the results for straightness and flatness measurements
- For cabled and wireless system
- Supported OS: Windows XP, Vista, 7, 8, 10
- Direct input from DL-S4W series, DL-S3 series, DL-S3L, DL-S2W series, DL-S2+D3, DL-m3 series, DL-m3LS, and Separate System

Flatness measurement



Straightness measurement while connected to PC



No need to install the software to PC

Only drag and drop EXE file, and double click to start. Also can be used directly from USB memory.

Input selection

Data can be manually typed in from any level, including bubble tube type level

Input signal from Levelnic over RS-232C

With computer connected to the Levelnic output, sequential measurements taken at regular intervals can be used to calculate flatness and straightness for display, printing and storage. (saved measurement data can not be revised)

Input typed onto keyboard from bubble level for display, calculation and storage

Using a bubble level and keyboard to enter data, sequential measurement taken at regular intervals can be used for calculation, display and storage

Displacement measurements (μm) typed onto keyboard for display, calculation and storage

Measurement of displacement from a reference plane made with a linear gauge or dial indicator at regular intervals can be used in place of an electronic angle gauge (goniometer) and entered into keyboard for calculation, display and storage



LEVELNIC

PRECISION LEVEL

ANGLE

LEVEL

PROTRACTOR

LEVELNIC MEASUREMENT SOFTWARE



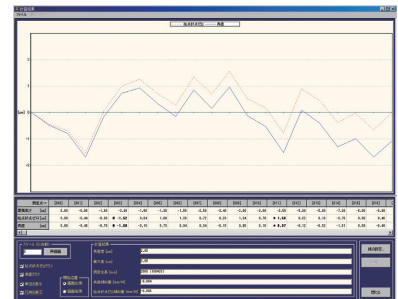
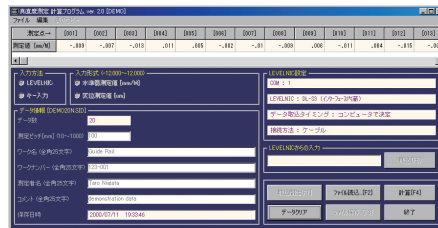
HOW TO MOVIE

Use to easily calculate straightness when connect to Levelnic with cable or wireless connection

Straightness software

With Straightness software Levelnic can easily perform the straightness measurements that once required an autocollimator, and for a lower cost

Straightness measurement



USE

- Software to perform straightness calculations

FEATURES

- Both wired and wireless capability
- Model compatibility: DL-S4W series, DL-S3 series, DL-S3L, DL-S2W series, DL-S2+D3, DL-m3 series, DL-m3LS
- ※Above compatibility applies for direct connection. Data can be manually typed in from any model, including bubble tube type level.

SPECIFICATIONS

- Supports: Windows XP, Vista, 7, 8, 10

Order No.	Model No.	Language
010066	ST	Japanese
010070	ST-E	English
010073	ST-C	Chinese



HOW TO MOVE

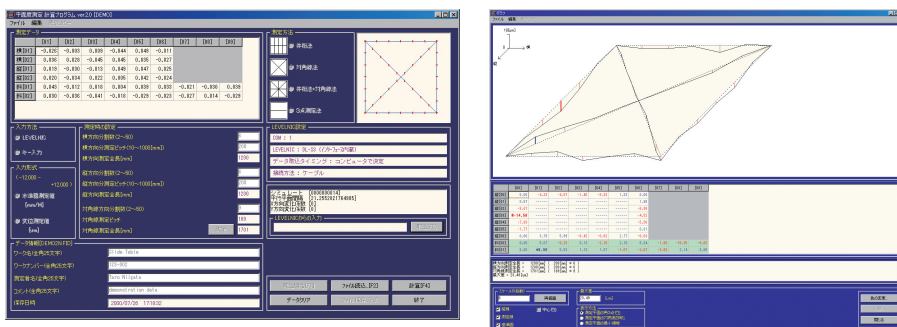
LEVELNIC MEASUREMENT SOFTWARE

Use to easily calculate flatness when connect to Levelnic with cable or wireless connection

Flatness software

With Flatness software Levelnic can easily perform the flatness measurements that once required an autocollimator, and for a lower cost

Flatness measurement



USE

- Software to perform flatness calculations

FEATURES

- Both wired and wireless capability
- Model compatibility: DL-S4W series, DL-S3 series, DL-S3L, DL-S2W series, DL-S2+D3, DL-m3 series, DL-m3LS
 - Above compatibility applies for direct connection. Data can be manually typed in from any model, including bubble tube type level.

SPECIFICATIONS

- Supports: Windows XP, Vista, 7, 8, 10

Order No.	Model No.	Language
010065	FL	Japanese
010069	FL-E	English
010072	FL-C	Chinese



LEVELNIC DATA RECORDING SOFTWARE

Data recording software LEVELOG

USE

- Records output data from Levelnic

FEATURES

- Levelnic measurements are recorded to text file
- Model compatibility: DL-S4W series, DL-S3 series, DL-S3L, DL-S2W series, DL-S2+D3, DL-m3 series, DL-m3LS

SPECIFICATIONS

- Supports: Windows XP, Vista, 7, 8, 10

Order No.	Model No.	Language
010067	LEVELOG	Japanese
010068	LEVELOG-E	English

Data recording software LEVELOG-M

For data management of multiple use of Levelnic.
Display and record up to eight data channels.



USE

- For displaying measurement values on PC screen and loading its data into PC for up to eight units of Levelnic

FEATURES

- Loadable up to 14,400 data points which can be saved as plain text
- Selectable data loading - Manual loading / Auto-loading at set time interval
- Model compatibility: DL-S4W series, DL-S3 series, DL-S2W series, DL-S2+DL-D3, DL-m3 series

SPECIFICATIONS

- Supports: Windows XP, Vista, 7, 8, 10
- Computer requires COM port or USB port for each connected Levelnic

Order No.	Model No.	Language
010074	LEVELOG-M	Japanese
010075	LEVELOG-M-E	English

LEVELNIC

PRECISION LEVEL

ANGLE

LEVEL

PROTRACTOR