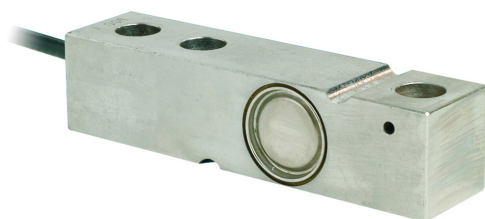


LOAD CELLS
shear beam
PS35


Designed for weighing hoppers, tanks, belts and platforms, low-profile

ATEX (optional)

Approved 3000 division O.I.M.L. R60 C Class

Made of stainless steel, hermetically sealed, fully welded

IP68 Protection (EN60529)

50% resistance to the lateral loads

Avoid the use of mechanical restraints when used with its mounting accessories

TECHNICAL CHARACTERISTICS PS35

Rated load (R.L.):	300, 500, 750, 1000, 1500, 2000, 3000, 5000 Kg
Combined error:	< ±0,017% of R.O.
Repeatability:	< ±0,015% of R.O.
Creep (20 minutes):	< ±0,016% of R.L.
Safe overload:	150% of R.L.
Maximum overload:	200% of R.L.
Recommended input:	5÷15 Vdc/Vac
Input resistance:	400 ± 20 Ohms
Output resistance:	350 ± 3 Ohms
Insulation resistance:	> 5000 M Ohms
Rated output (R.O.):	2±0.1% mV/V
Zero balance:	< ±2% of R.O.
Temperature range:	-20 ÷ +50°C
Compensated temperature range:	-10 ÷ +40°C
Temperature effect on zero balance:	< ±0.010% of R.O./5°K
Temperature effect on output:	< ±0.006% of output/5°K
Max load deflection:	0.2÷0.4 mm
Precision class:	3000 n. OIML
Degree of protection:	IP68
Electrical connection:	6 conductors shielded cable; length 6 m
Clamping force without any load:	300÷2000 kg : 136 Nm 3000÷5000 kg : 205 Nm

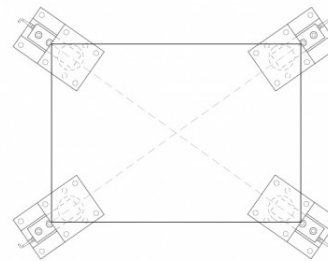
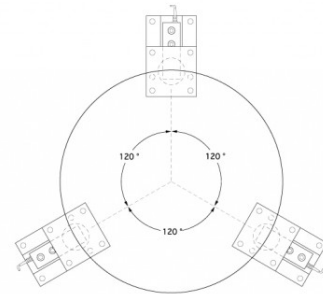
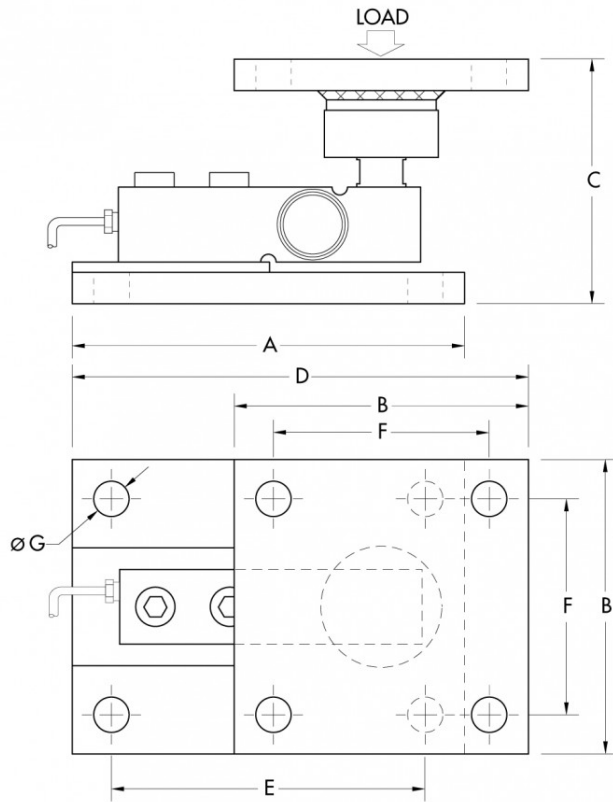




LOAD CELLS

shear beam

PS35



Capacity Kg	300-2000	3000-5000
A	150	200
B	100	150
C	98/101	130/133
D	181.6	248.4
E	120	160
F	70	110
G	13	18

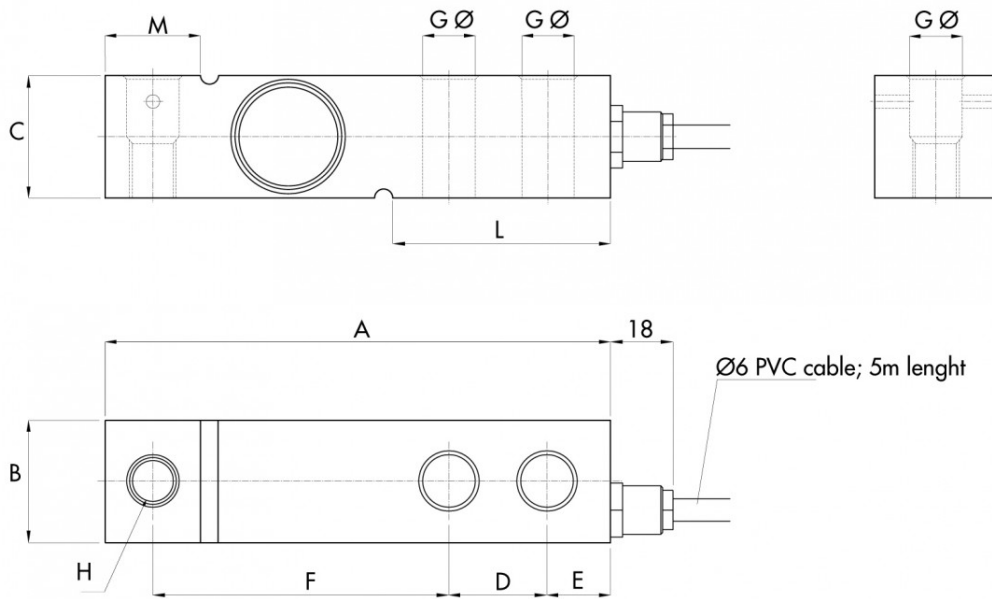




LOAD CELLS

shear beam

PS35



Electrical Connections	
+Excitation	Green
-Excitation	Black
+Sense	Blue
-Sense	Yellow
+Signal	Red
-Signal	White
Shield	Cable Shield

Capacity Kg	300-2000	3000-5000
A	130	171.5
B	31.5	41.5
C	31.5	48
D	25.4	38.1
E	15.8	19
F	76.2	95.2
G	13.5	20.5
H	M12x1.75	M20x2.5
L	56	76
M	24.6	37

