

AH

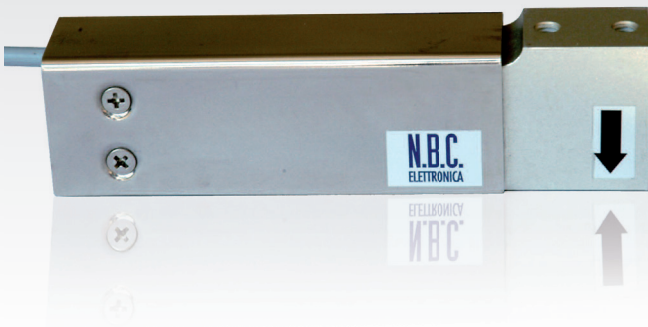
Off-Center Load Cell

DISTINCTIVE FEATURES

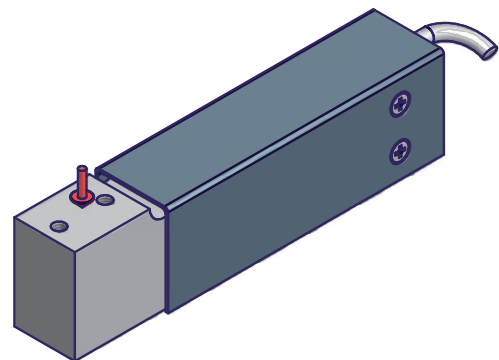
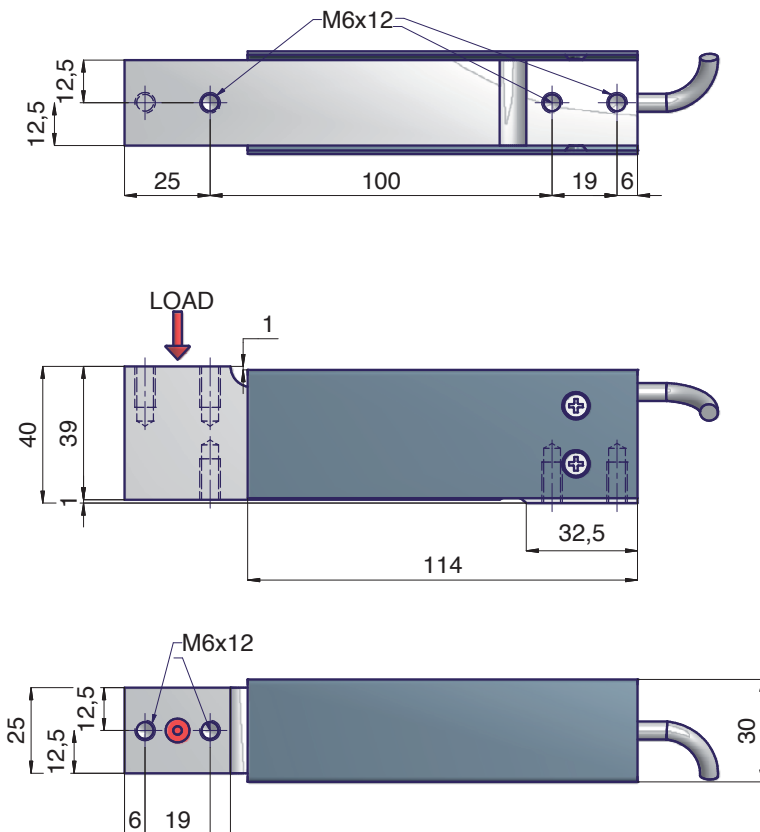
- Capacities: 5 kg to 100 kg
- Maximum platform size 400x400mm
- Protection class IP65 (EN 60529)
- High accuracy
- Complies with OIML R60 regulations up to 4000 d
- On request II 3D (zone 22) version

APPLICATION

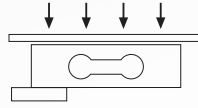
The single point load cells mod. AH are parallelogram transducers, mainly used in the construction of small weighing platform. The off-center load performance allows a maximum platform size of 400x400mm.



DIMENSIONS (mm)



Capacities	Standard	OIML	ATEX
5 kg	●		●
10 kg	●		●
15 kg	●		●
20 kg	●	●	●
25 kg	●	●	●
30 kg	●	●	●
50 kg	●	●	●
75 kg	●	●	●
100 kg	●	●	●



AH

Off-Center Load Cell

TECHNICAL DATA

Accuracy class	Standard	OIML C3	OIML C4	Accuracy class	Standard	OIML C3	OIML C4
Capacities fs (E _{max})	5 ÷ 100 kg	20 ÷ 100 kg		Temp. effect on zero balance (5°C)	<± 0,02% fs	<± 0,018% fs	<± 0,01% fs
Plate		400 x 400 mm		Temp. effect on rated output (5°C)	<± 0,005% fs	<± 0,003% fs	<± 0,0025% fs
Rated output (C _n)		2 mV/V ± 10%		Compensated temperature range		-10°C ÷ +40°C	
Y = E _{max} / V _{min}	//	12000	20000	Operating temperature range		-20°C ÷ +70°C	
Nominal excitation range		5 ÷ 10V		Maximum safe load		150% fs	
Maximum excitation		15V		Ultimate load		>300% fs	
Zero balance output		± 0,02 mV/V		Protection class (EN60529)		IP65	
Input resistance		400 ± 25 Ω		Material		Alluminium	
Output resistance		350 ± 2 Ω		Displacement at nominal load		0,30 ÷ 0,45 mm	
Insulation resistance		> 5 GΩ		Fixing screws tightening torque		10 Nm	
Combined error	<± 0,025% fs	<± 0,023% fs	<± 0,018% fs	Weight		~ 0,5 kg	
Non repeatability	<± 0,015% fs	<± 0,008% fs	<± 0,007% fs	Cable lenght		5m - 6 x 0,14 mm ²	
Creep 30 min.	<± 0,03% fs	<± 0,024% fs	<± 0,018% fs	Test certificate - OIML R60		E - 01.02.C01	

WIRE DIAGRAM

