



RMTE-FA, MA SERIES

SPARK QUENCHER



Features

- Spark quencher for magnet switch

- Model numbering system



FA	Metalic terminal
MA	PVC+Metalic termina

Applications

- Preventing from generating surge voltage
- Applicable voltage range of coil : AC/DC 24~250V

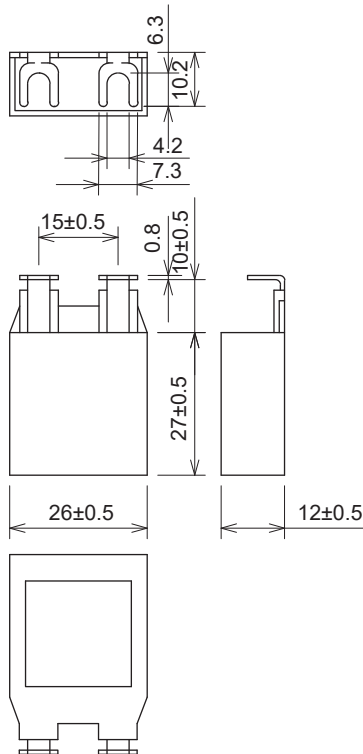


- Circuit

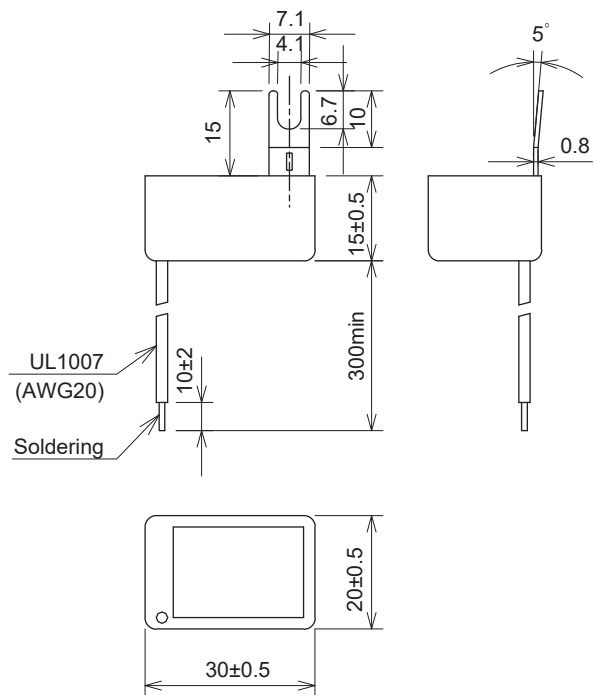


- Dimensions

RMTE-FA



RMTE-MA



Unit: mm

Electrical Specifications

Rated Voltage **250Vac**

Safety Standard	Class	Model Number	Capacitance $\mu\text{F}\pm 20\%$	Resistance $\Omega\pm 30\%$	Pulse condition (max.)				Peak Pulse Voltage	Test Voltage	Insulation Resistance
					Peak to peak	Pulse width	Repetitive frequency	Pulse width (sec) x Frequency(Hz)			
UL US D.E.	X2	RMTE-121*224	0.22	120 (1/2W)	800V max.	50msec max.	120Hz max.	0.1max.	1,200V	Line to Line 1,000Vac 50/60Hz 60sec Line to Case 2,000Vac 50/60Hz 60sec	Line to Line 15,000M Ω min. (at 500Vdc) Line to Case 100,000M Ω min. (at 500Vdc)

*Peak to peak value of pulse condition (max.) is the maximum pulse voltage that is overlapped to line voltage and can apply between terminals of spark quencher.

Operating Temperature: -40~+85°C