



SEPTEMBER 2010

ECOSINE™
Advanced Passive Harmonic Filters

SCHAFFNER
energy efficiency and reliability



SCHAFFNER GROUP

The Schaffner Group is the international leader in the development and production of solutions which ensure the efficient and reliable operation of electronic systems. The Group's broad range of products and services includes EMC/EMI components, harmonic filters and magnetic components as well as the development and implementation of customized solutions. Schaffner components are deployed in energy-efficient drive systems and electronic motor controls, in wind power and photovoltaic systems, rail technology, machine tools and robotics as well as power supplies for numerous electronic devices in sectors such as medical technology or telecommunications. Schaffner provides on-site service to customers around the world through an efficient, global organization and makes ongoing investments in research, development, production and sales to systematically expand its position as leader on the international market.

A global one-stop shop

EMC/EMI filters

- PCB filters
- IEC inlet filters / Power entry modules
- DC filters
- Single-phase filters
- Three-phase filters
- Three-phase + neutral line filters
- Open frame filters

EMC/EMI chokes

Feedthrough filters and capacitors

Automotive components

Customized solutions

Power Quality products

- Line reactors
- dv/dt reactors and filters
- Sine wave filters
- Harmonic filters
- Regen reactors and filters
- Transformers

Customized solutions



A better way to Power Quality

Schaffner ECOSine™ harmonic filters represent an economical solution to the challenge of load-applied harmonics mitigation in three-phase power systems. With a plug-and-play approach and more compact dimensions than comparable products, they can be quickly installed and easily commissioned. They increase the reliability and service life of electric installations, help utilize electric system capacity better, and are the key to meet Power Quality standards such as IEEE 519.

Schaffner ECOSine™ harmonic filters provide:

- Efficient mitigation of harmonic currents.
- Compliance with IEEE 519 and other Power Quality standards.
- Increased equipment service life and system reliability in mission-critical applications.
- More efficient utilization of electric system capacity (e.g. distribution transformers).
- Long-term savings in system operation and maintenance cost.
- Support energy savings.
- Fast and simple plug-and-play operation.
- Very compact and light-weight filter concept.
- Seamless integration with previously installed DC chokes or EMC/EMI filters.



ECOSine™ filters calm your harmonic waves. Schaffner ECOSine™ filters can be applied to virtually any kind of power electronics with front-end six-pulse rectifiers, where harmonic current distortion needs to be reduced to defined limits. Typical applications, where the above-mentioned non-sinusoidal consumers of power can account for a significant portion of the load, include:

- Equipment with front-end six-pulse rectifier
- Motor drives
- Factory automation equipment
- UPS and three-phase power supplies
- Water/wastewater treatment facilities
- Oil and gas exploration
- Heavy industry and machinery
- Self-contained systems (e.g. ships)
- Fan and pump applications
- Battery chargers
- HVAC installations
- Mission-critical processes



RoHS
2002/95/EC



(FN3410/11)

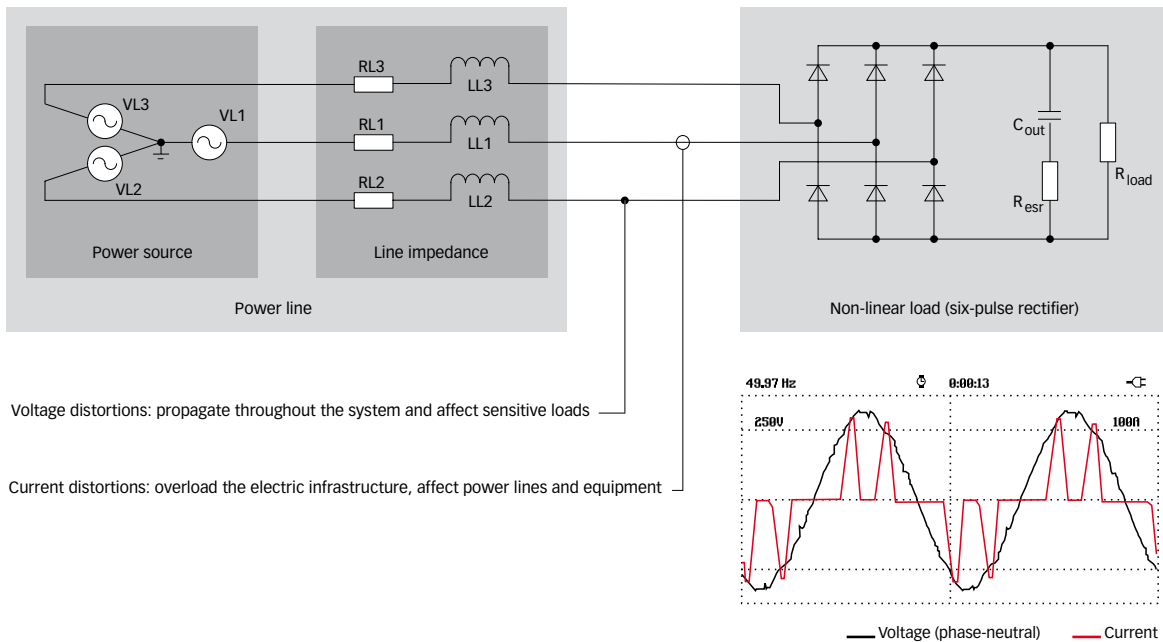


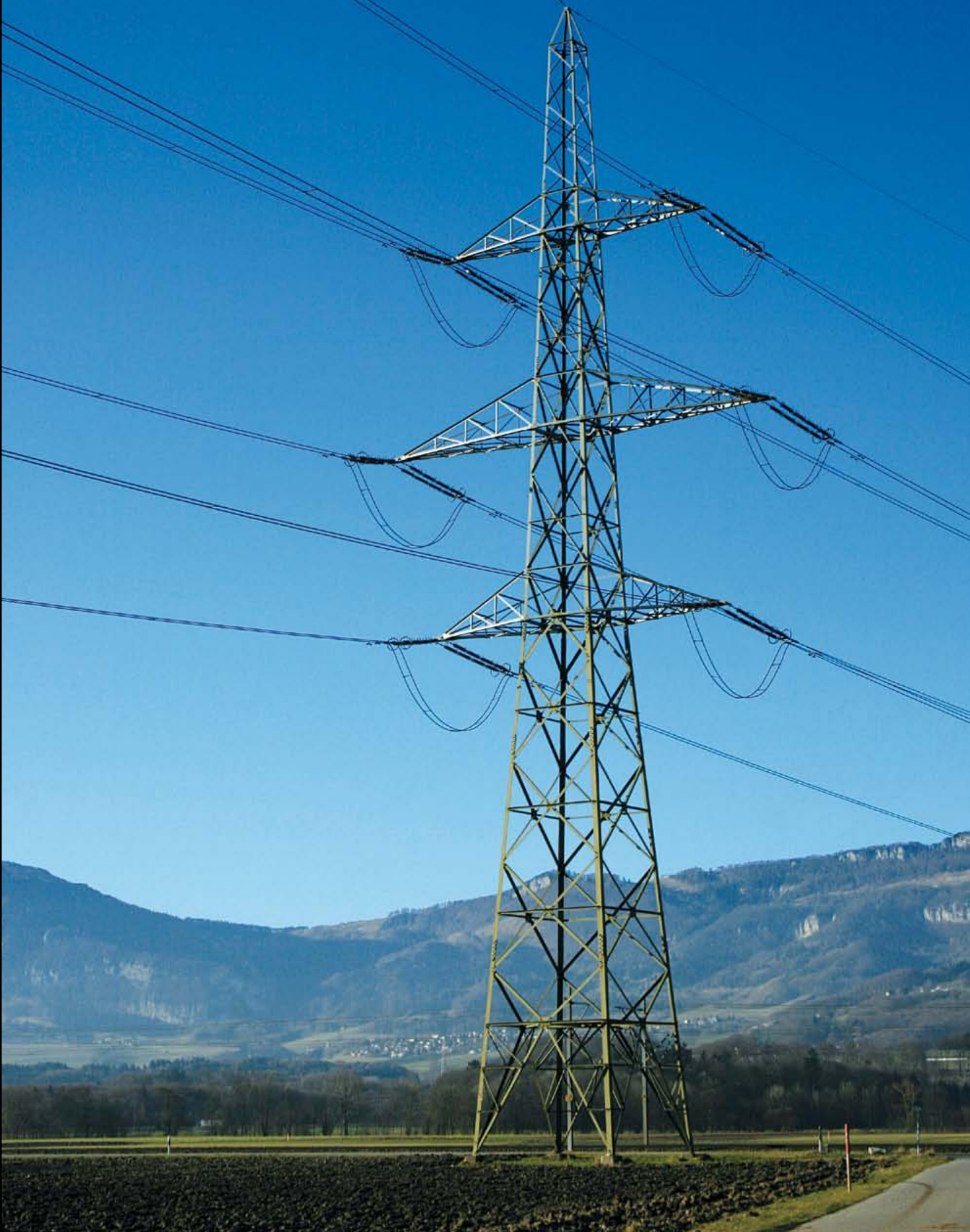
Harmonics are a serious problem

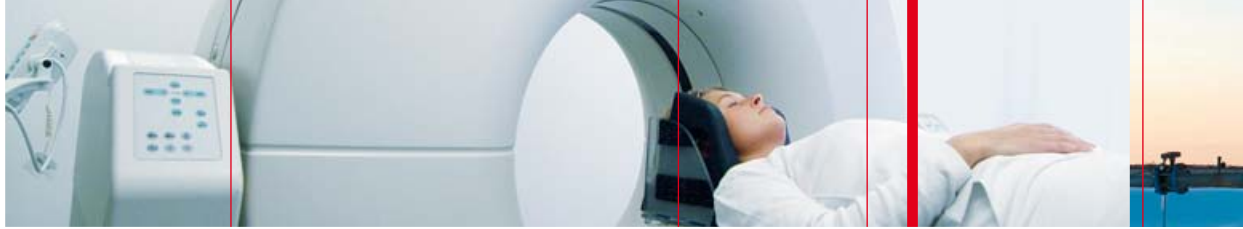
Power Quality in times of blackouts and brownouts. Power Quality has become the buzzword of entire industries. While definitions diverge, nobody disputes its importance and the consequences of poor Power Quality. Often, electric utilities end up in the line of fire of frustrated customers. However, many disturbances – like electromagnetic interferences or harmonics – are not attributable to the utility company, but to the user of the electric power supply and the nature of the connected loads.

Creation of harmonic currents and voltages. Modern consumers of power, such as variable speed drives for motor controls, switch-mode power supplies in home electronics, or ballasts in fluorescent lamps, significantly contribute to energy saving and a more efficient use of electricity. However, the nature of their operation causes a non-sinusoidal current to be drawn from the grid. This non-sinusoidal current consists of the fundamental 50 or 60Hz wave and its integer multiples, the harmonics.

Harmonic currents flow through system impedances, transformers, reactors etc., and cause harmonic voltages. As a result, the supply voltage of other consumers connected to the same branch of the grid is distorted, raising questions about equipment service life, function, and reliability.







Harmonics have a serious impact. Harmonics reduce system efficiency and waste precious energy. Harmonic currents overload and overheat electric installations, distribution transformers, breakers, fuses, conductors etc. They cause premature system ageing or generate the requirement for an increase in electric system capacity. Harmonics overload capacitor banks in VAR compensation equipment and cause malfunctions in electronic controls, disturbances in sensitive medical devices, or crashes in communication networks.



Financial consequences. Unfortunately, harmonics mitigation is considered an expensive nuisance. Very often it is not budgeted for in the planning phase of a project. However, the decision to ignore this issue can potentially lead to a much more substantial cost impact. The capacity of electric installations may have to be increased. Equipment may fail prematurely. Disturbances may cause production downtime. Utility companies may even issue Power Quality violation penalties to the point where an entire factory has to be temporarily disconnected from the grid.



International requirements. International Power Quality standards such as IEEE 519-1992, EN 61000-3-12, EN 50160, EN 12015, G5/4, AS 2279 or D.A.CH.CZ define – among many other things – distortion limits and recommend harmonics mitigation practices. IEEE 519-1992 is probably the most widely accepted set of recommendations that defines maximum permissible current and voltage distortion percentages at the point of common coupling (PCC) under full load conditions. The applicable limit depends upon the system loading parameters, i.e. the relation between the maximum short circuit current (I_{sc}) and the maximum demand load current (I_L) at the PCC.

IEEE 519-1992 current distortion limits [%]

I_{sc}/I_L	TDD	Harmonic order (odd harmonics)				
		<11	$11 \leq h < 17$	$17 \leq h < 23$	$23 \leq h < 35$	$35 \leq h$
<20	5.0	4.0	2.0	1.5	0.6	0.3
20<50	8.0	7.0	3.5	2.5	1.0	0.5
50<100	12.0	10.0	4.5	4.0	1.5	0.7
100<1000	15.0	12.0	5.5	5.0	2.0	1.0
>1000	20.0	15.0	7.0	6.0	2.5	1.4

Maximum harmonic current distortion in percent of I_L (even harmonics are limited to 25% of the odd harmonic limits above).

IEEE 519-1992 voltage distortion limits [%]

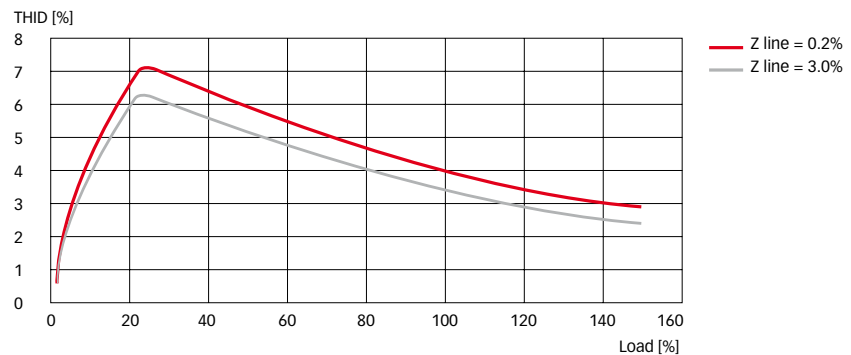
Special applications (hospitals, airports)	3
General systems applications	5
Dedicated systems (100% non-linear loads)	10

Please consult the published standards or local utility codes for more details about your individual harmonics mitigation requirements.



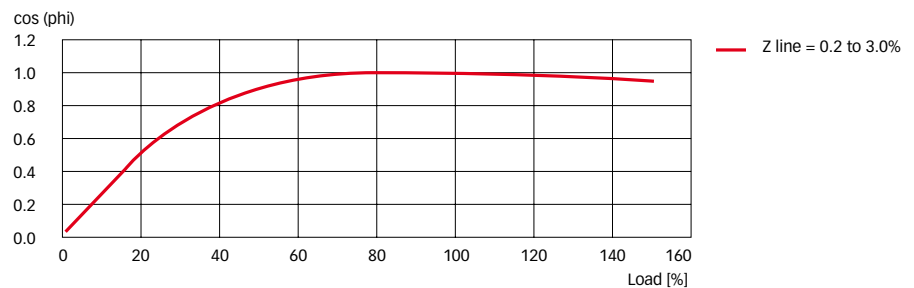
ECOSine™ – getting a grip on harmonics

Reliable harmonics mitigation. The best place to eliminate harmonics is right at their source, i.e. at the individual non-linear load. Only then the propagation of harmonic currents and voltages throughout the system can be avoided. Schaffner ECOSine™ filters are uniquely able to master this challenge. They provide a low impedance path for harmonic currents required by the rectifier, thus significantly reducing the amount of harmonics flowing through the electric distribution system. As a result, the non-linear load virtually draws a sinusoidal current from the grid. In a typical motor drive system, the total harmonic current distortion (THID) is reduced to well below 8% at any load condition, and to <5% at full load. Compliance with the toughest total demand distortion (TDD) levels according to table 10-3 of IEEE 519 is therefore ensured.

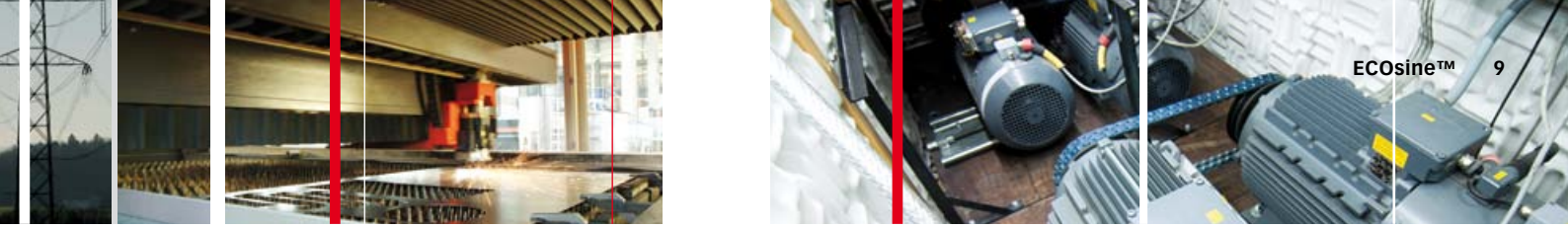


Typical performance with diode rectifiers.

High performance – not only at full load. Often manufacturers promote filter performance only at full load because light load conditions can be a challenge in terms of both harmonics mitigation and capacitive current. Schaffner ECOSine™ filters not only guarantee the THID rating of 8% maximum over the entire load range, but also limit the amount of capacitive current in all conditions.



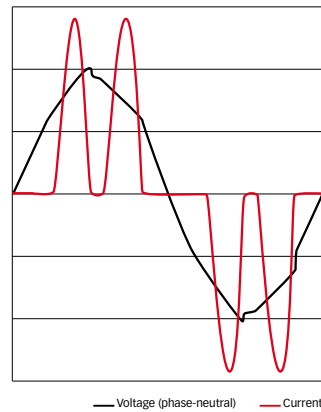
An external capacitor disconnect switch can easily be installed, if capacitive current under light load conditions has to be suppressed. You can obtain more information on this subject from the Schaffner ECOSine™ user manual.



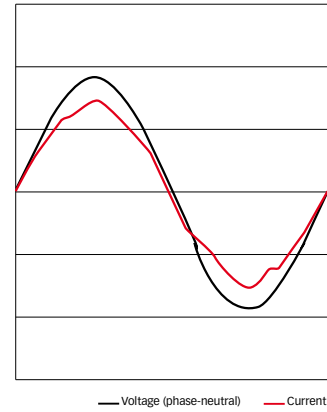
Cost and energy savings. Schaffner ECOSine™ filters reduce harmonics and ensure that a clean sinusoidal current is drawn from the grid. Both true RMS and peak current are reduced in the process, thus lowering the burden on the electric installation.



Without Schaffner ECOSine™



With Schaffner ECOSine™



Example with 5.5kW drive

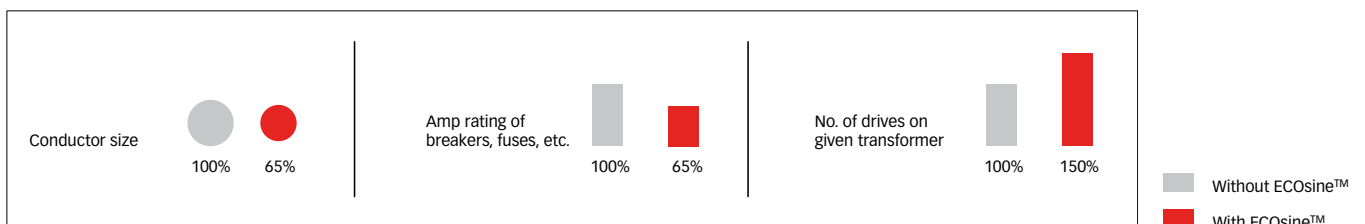
Current:
 $I_{in} = 11A_{rms}$ (for power = 5.5kW)
 THID = 92% (for $R_{sc} = 150$)
 PWHD = 37%
 Individual harmonics: 5th – 74%
 7th – 51%
 11th – 13%
 13th – 5%

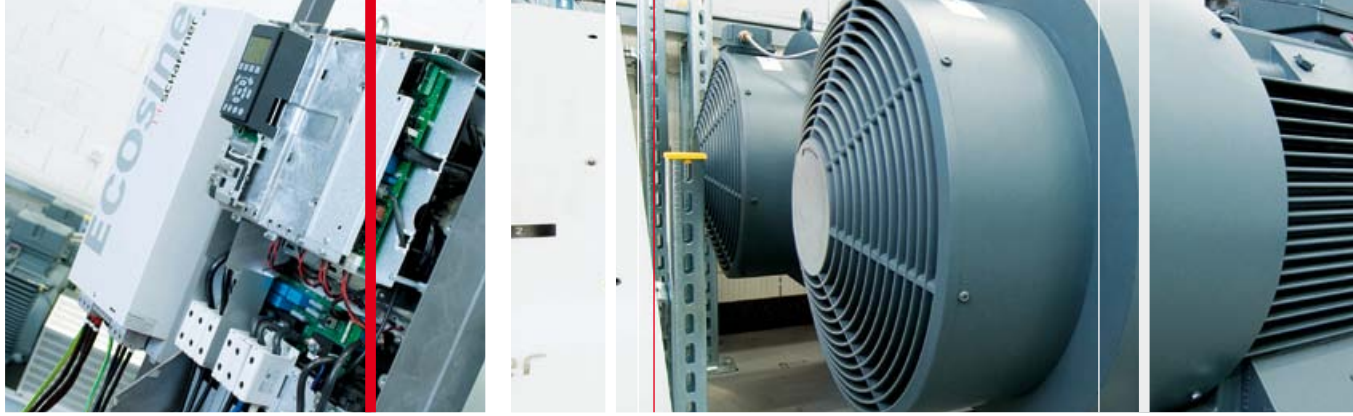
Voltage:
 $U_{in} = 480V_{rms}$ (phase-phase)
 THVD = 4.4% (for $I_{sc}/I_L = 150$)

Current:
 $I_{in} = 7.5A_{rms}$ (for power = 5.5kW)
 THID = 4.0%
 PWHD = 5.2%
 Individual harmonics: 5th – 2.0%
 7th – 2.2%
 11th – 2.0%
 13th – 1.4%

Voltage:
 $U_{in} = 480V_{rms}$ (phase-phase)
 THVD = 0.12% (for $I_{sc}/I_L = 150$)

Transformers, conductors, fuses, breakers etc. experience less electric and thermal stress, and can therefore be downsized already in the planning phase. In an existing installation, the capacity of the distribution transformer can be utilized more efficiently, and more electric consumers (e.g. motor drives) can be operated without investments in electric system upgrades.





Equipment longevity, reliable production uptime. Because of their unique design, ECOSine™ filters add impedance to the supply, thus providing all the benefits of traditional Schaffner AC line reactors. In motor drive applications, for example, they eliminate nuisance tripping, and protect the rectifier and DC-link capacitors from mains transients. Longer equipment service life and reliable operation of mission-critical applications reduce cost of ownership and help safeguard profits.

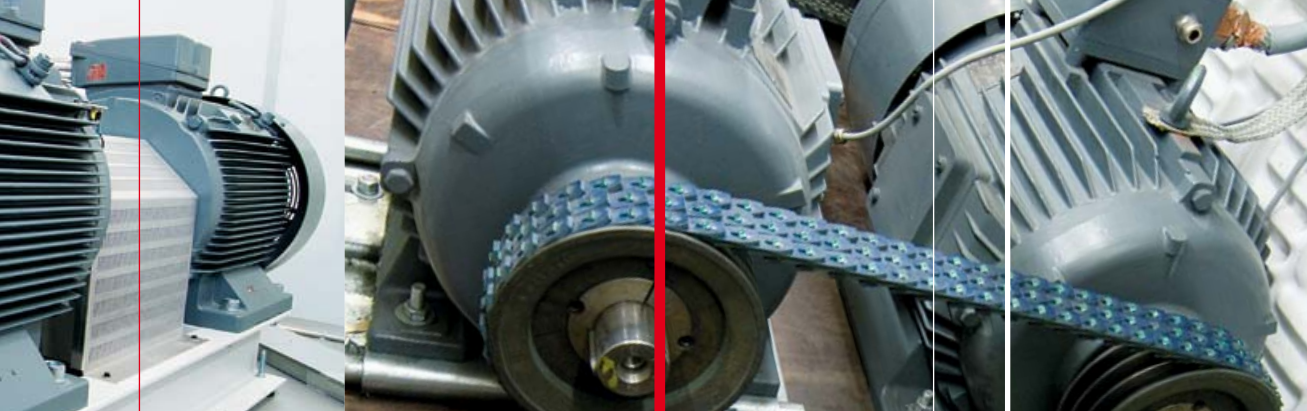
Simply plug-and-play. Schaffner ECOSine™ filters are “black boxes“ with three input and three output connectors. They can easily be incorporated into existing designs without requiring an in-depth system analysis or highly trained specialists. ECOSine™ filters do not attract harmonics from other parts of the system and do not cause system resonances. They have been designed to operate smoothly with DC-link chokes and EMC/EMI filters installed in the same system.

A superior inductor design and advanced thermal management result in the most compact filter package on the market today. Where traditional harmonics mitigation approaches require large standalone cabinets, the compact and light-weight design of ECOSine™ allows for filter integration right in the electric cabinet next to the motor drive.

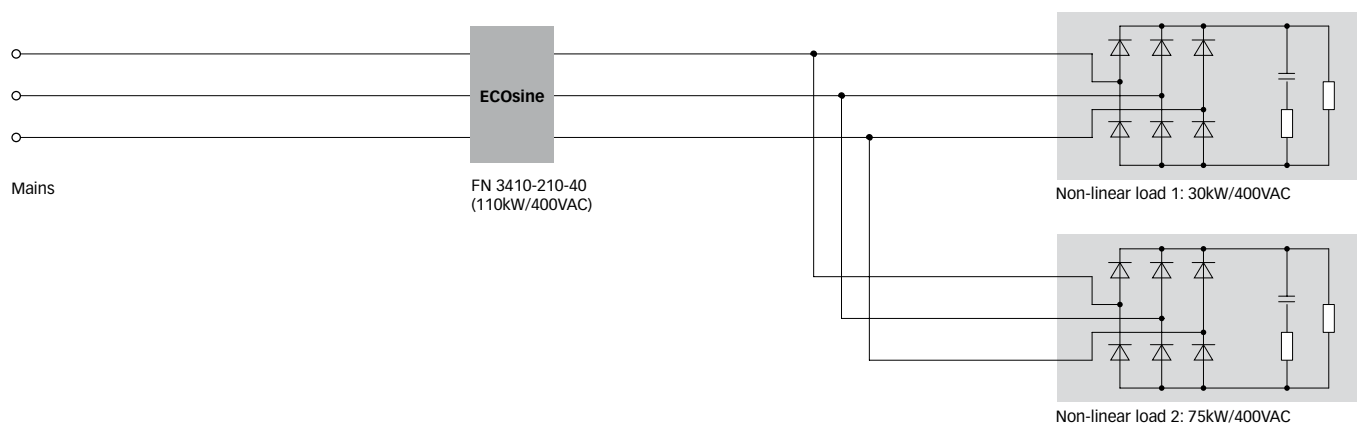


Straightforward filter selection. Schaffner ECOSine™ filters are available for 50Hz (FN 3410/FN 3411 series) and 60Hz (FN 3412/FN 3413 series) power grids. The ideal filter can easily be selected by determining the actual total power rating of the load (e.g. motor drive) to be connected to the filter. It is important to avoid over-specification of the filter because it operates best close to full load.

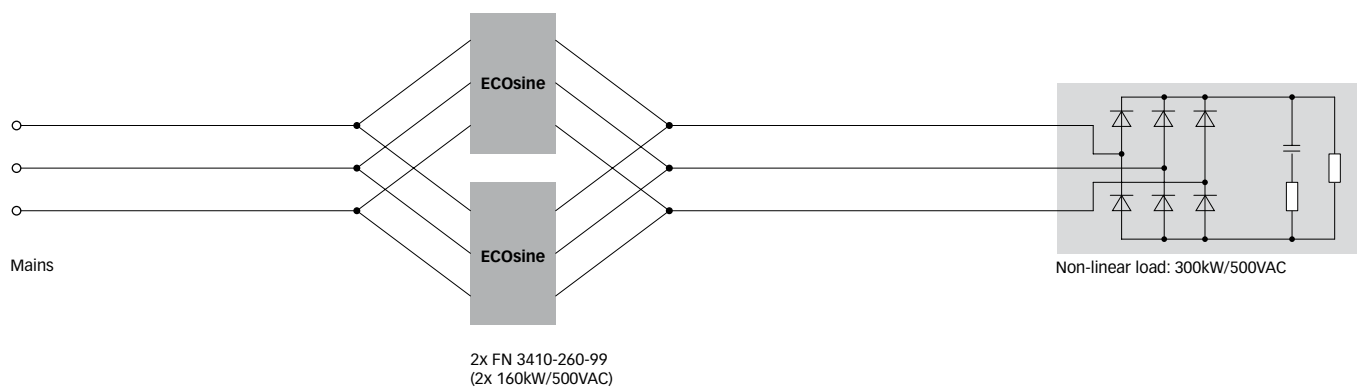
- FN 3410: 50Hz filters for diode rectifiers
- FN 3411: 50Hz filters for SCR rectifiers
- FN 3412: 60Hz filters for diode rectifiers
- FN 3413: 60Hz filters for SCR rectifiers



ECOsine™ filters are designed to be installed at the individual non-linear load. However, they can also reduce harmonics for multiple loads in parallel. If multiple loads are connected to one filter, the filter needs to be matched to the total resulting input power.



Two or more filters can be paralleled in case the total input power of a given load exceeds the largest available product.



Please consult the Schaffner ECosine™ user manual for more details about filter selection, installation, and application.



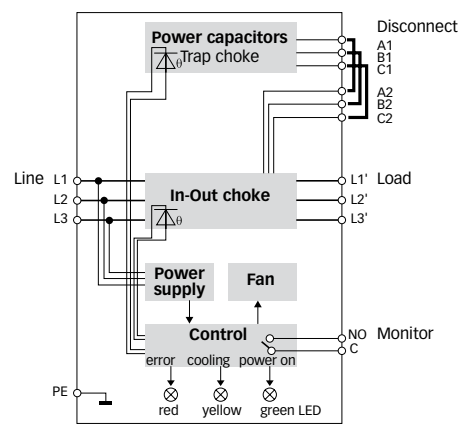
ECOSine™ harmonic filters for 50Hz systems FN 3410 for diode rectifiers FN 3411 for thyristor (SCR) rectifiers

Technical specifications




Nominal operating voltage:	3x 380 to 500VAC
Voltage tolerance range:	3x 342 to 550VAC
Operating frequency:	50Hz ±1Hz
Nominal motor drive input current rating*:	10 to 320A @ 50°C
Nominal motor drive input power rating:	4 to 200kW
Total harmonic current distortion THID**:	<5% @ rated power
Total demand distortion TDD:	According to IEEE-519, table 10-3
Efficiency:	98.5 to 99.5% @ nominal line voltage and power
High potential test voltage:	P → E 2500VAC (1min)
Protection category:	IP20 / NEMA1
Cooling:	Internal fan cooling
Overload capability:	1.6x rated current for 1 minute, once per hour
Ambient temperature range:	-25°C to +50°C fully operational +50°C to +70°C derated operation*** -25°C to +85°C transport and storage
Flammability corresponding to:	UL 94V-2 or better
Design corresponding to:	UL 508, EN 61558-2-20, CE (LVD 2006/95/EC)
MTBF @ 50°C/500V (Mil-HB-217F):	200,000 hours
SCCR****:	100kA

* ECOSine filters reduce RMS input and peak current by reducing harmonic currents and improving true power factor.
 ** System requirements: THVD <2%, line voltage unbalance <1%
 Note: performance specifications in this brochure refer to six-pulse diode rectifiers. SCR rectifier front-ends will produce different results, dependent upon the firing angle of the thyristors.
 *** $I_{derated} = I_{nominal} * \sqrt{(85°C - T_{amb}) / 35°C}$
 **** External UL-rated fuses required. Please consult the user manual.

Typical electrical schematic



Filter selection table

Filter*	Rated load power @ 400VAC/50Hz	Rated load power @ 500VAC/50Hz	Power loss** @ 400V/500V	Input/Output connections	Capacitor disconnections	Weight	NEMA1 covers***
	[kW]	[kW]	[W]	 		[kg]	Order code
FN 341x-10-44	4	5.5	60/83	-44	-44	13	1151-081
FN 341x-13-44	5.5	7.5	83/113	-44	-44	14	1151-081
FN 341x-16-44	7.5	11	113/165	-44	-44	21	1151-082
FN 341x-24-33	11	15	165/225	-33	-44	27	1151-083
FN 341x-32-33	15	18.5	225/278	-33	-44	31	1151-083
FN 341x-38-33	18.5	22	259/308	-33	-44	35	1151-083
FN 341x-45-34	22	30	286/390	-34	-33	45	1151-084
FN 341x-60-34	30	37	360/444	-34	-33	54	1151-084
FN 341x-75-35	37	45	407/495	-35	-34	65	1151-085
FN 341x-90-35	45	55	450/550	-35	-34	77	1151-085
FN 341x-110-35	55	75	495/675	-35	-34	86	1151-085
FN 341x-150-40	75	90	600/720	-40	-35	118	1151-086
FN 341x-180-40	90	110	630/770	-40	-35	136	1151-086
FN 341x-210-40	110	132	770/924	-40	-35	154	1151-086
FN 341x-260-99	132	160	792/960	-99	-35	201	1151-086
FN 341x-320-99	160	200	960/1200	-99	-35	201	1151-086

* To compile a complete part number, please replace the x with a 0 for diode or 1 for SCR rectifiers.
 Filter to be selected by system voltage and load (motor drive) power. Note: the harmonic filter will reduce the RMS input current. Example: the rated RMS input current of an unfiltered 400V/15kW/32A drive will be reduced to approximately 23A. Therefore, filter selection by current rating, as it is common for EMC/EMI filters, is not suitable.
 ** Calculated power loss at rated load power.
 *** Please contact your local Schaffner partner to order the optional NEMA1 covers with the order code in the table above.



ECosine™ harmonic filters for 60Hz systems

FN 3412 for diode rectifiers

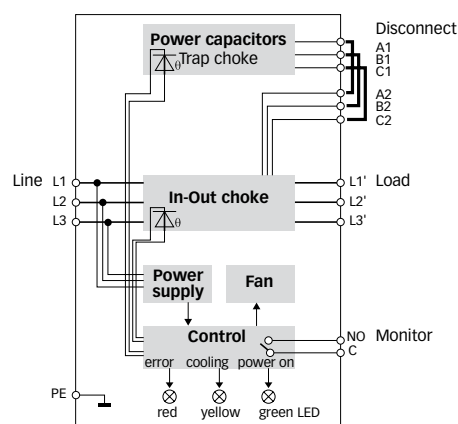
FN 3413 for thyristor (SCR) rectifiers

Technical specifications

Nominal operating voltage:	3x 440 to 480VAC
Voltage tolerance range:	3x 396 to 528VAC
Operating frequency:	60Hz ±1Hz
Nominal motor drive input current rating*:	8 to 310A @ 50°C
Nominal motor drive input power rating:	5 to 250HP
Total harmonic current distortion THID**:	<5% @ rated power
Total demand distortion TDD:	According to IEEE-519, table 10-3
Efficiency:	98.5 to 99.5% @ nominal line voltage and power
High potential test voltage:	P → E 2500VAC (1min)
Protection category:	NEMA1 / IP20
Cooling:	Internal fan cooling
Overload capability:	1.6x rated current for 1 minute, once per hour
Ambient temperature range:	-25°C to +50°C fully operational +50°C to +70°C derated operation*** -25°C to +85°C transport and storage
Flammability corresponding to:	UL 94V-2 or better
Design corresponding to:	UL 508, EN 61558-2-20, CE (LVD 2006/95/EC)
MTBF @ 50°C/460V (Mil-HB-217F):	200,000 hours
SCCR****:	100kA

* ECosine filters reduce RMS input and peak current by reducing harmonic currents and improving true power factor.
 ** System requirements: THVD <2%, line voltage unbalance <1%
 Note: performance specifications in this brochure refer to six-pulse diode rectifiers. SCR rectifier front-ends will produce different results, dependent upon the firing angle of the thyristors.
 *** $I_{derated} = I_{nominal} * \sqrt{(85°C - T_{amb}) / 35°C}$
 **** External UL-rated fuses required. Please consult the user manual.

Typical electrical schematic



Filter selection table

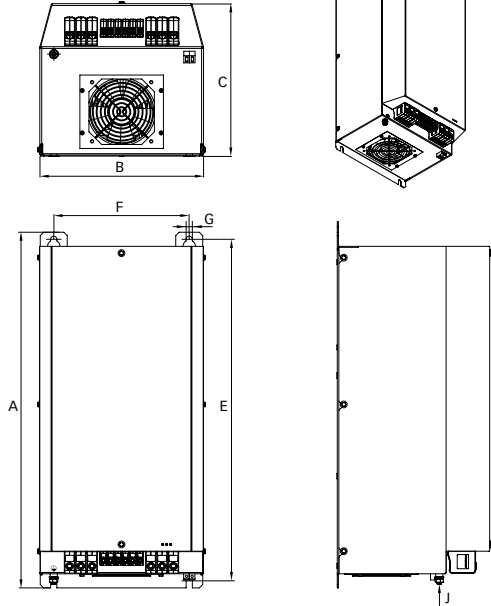
Filter*	Rated load power @ 460VAC/60HZ	Power loss** @ 460V	Input/Output con- nections	Capacitor disconnections	Weight	NEMA1 covers***
	[HP]	[W]			[kg]	Order code
FN 341x-8-44	5	56	-44	-44	12	1151-081
FN 341x-11-44	7.5	84	-44	-44	13	1151-081
FN 341x-15-44	10	112	-44	-44	17	1151-082
FN 341x-21-44	15	168	-33	-44	21	1151-082
FN 341x-28-33	20	209	-33	-44	28	1151-083
FN 341x-35-33	25	261	-33	-44	32	1151-083
FN 341x-41-33	30	291	-34	-33	35	1151-083
FN 341x-53-34	40	328	-34	-33	48	1151-084
FN 341x-65-34	50	373	-35	-34	52	1151-084
FN 341x-80-35	60	403	-35	-34	69	1151-085
FN 341x-105-35	75	447	-35	-34	77	1151-085
FN 341x-130-35	100	522	-40	-35	87	1151-085
FN 341x-160-40	125	559	-40	-35	124	1151-086
FN 341x-190-40	150	671	-40	-35	132	1151-086
FN 341x-240-99	200	746	-99	-35	185	1151-086
FN 341x-310-99	250	932	-99	-35	202	1151-086

* To compile a complete part number, please replace the x with a 2 for diode or 3 for SCR rectifiers.
 Filter to be selected by system voltage and load (motor drive) power. Note: the harmonic filter will reduce the RMS input current. Example: the rated RMS input current of an unfiltered 460V/20HP/28A drive will be reduced to approximately 20A. Therefore, filter selection by current rating, as it is common for EMC/EMI filters, is not suitable.
 ** Calculated power loss at rated load power.
 *** Please contact your local Schaffner partner to order the optional NEMA1 covers with the order code in the table above.

Mechanical data

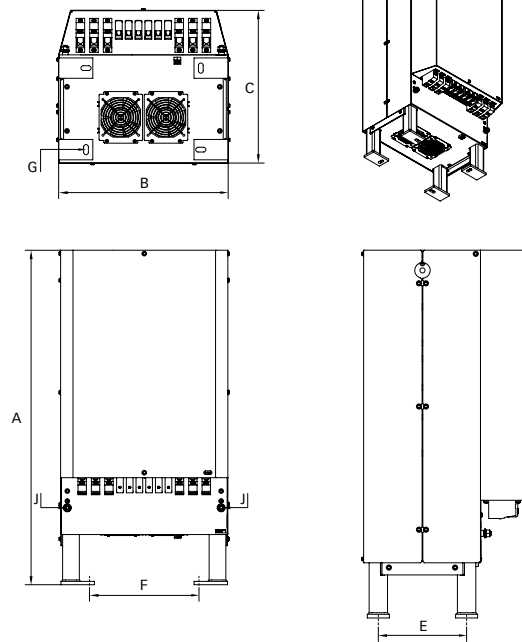
FN 3410/FN 3411-10 to -110

FN 3412/FN 3413-8 to -130



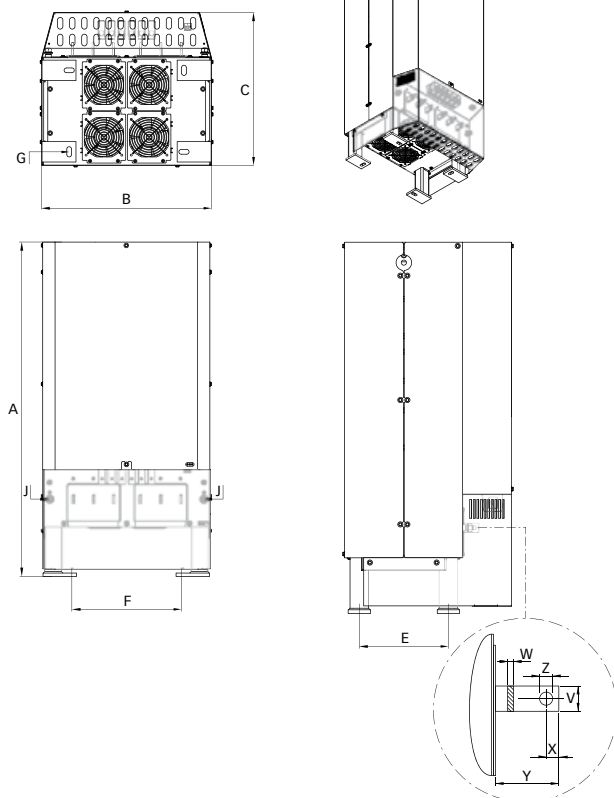
FN 3410/FN 3411-150 to -210

FN 3412/FN 3413-160 and -190



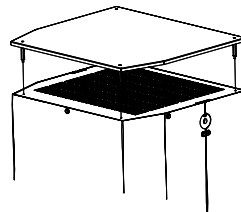
FN 3410/FN 3411-260 and -320

FN 3412/FN 3413-240 and -310



Installation. All filters from FN 341x-8 to -130 are wall mountable and have to be operated vertically. The filters FN 341x-150 and higher are designed for floor mounting. In order to allow for sufficient air flow all filters must be clear on top and bottom min. 150mm.

Optional NEMA1 cover. All filters can be optionally fitted with a NEMA1 cover. Please find order codes on previous pages.



Dimensions

FN 3410/FN 3411-...	10	13	16		24	32	38	45	60	75	90	110	150	180	210	260	320
FN 3412/FN 3413-...	8	11	15	21	28	35	41	53	65	80	105	130	160	190		240	310
A	400	400	430	430	520	520	520	590	590	750	750	750	1000	1000	1000	1000	1000
B	170	170	210	210	250	250	250	300	300	320	320	320	500	500	500	500	500
C	190	190	210	210	280	280	280	300	300	300	300	300	450	450	450	450	450
E	380	380	410	410	495	495	495	565	565	725	725	725	240	240	240	240	240
F	130	130	170	170	200	200	200	250	250	270	270	270	338	338	338	338	338
G	7	7	9	9	11	11	11	11	11	11	11	11	14x30	14x30	14x30	14x30	14x30
J	M6	M6	M6	M6	M8	M8	M8	M8	M8	M10	M10	M10	M10	M10	M10	M10	M10
V																25	25
W																6	6
X																12.5	12.5
Y																40	40
Z																11	11

All dimensions in mm; 1 inch = 25.4mm
Tolerances according: ISO 2768-m / EN 22768-m

Filter connector cross sections

	-33	-34	-35	-40	-44
Solid wire	16mm ²	35mm ²	50mm ²	95mm ²	10mm ²
Flex wire	10mm ²	25mm ²	50mm ²	95mm ²	6mm ²
AWG type wire	AWG 6	AWG 2	AWG 1/0	AWG 4/0	AWG 8
Recommended torque	1.5 – 1.8Nm	4.0 – 4.5Nm	7 – 8Nm	17 – 20Nm	1.0 – 1.2Nm

Please visit www.schaffner.com to find more details on filter connectors.

Schaffner – more than just filters. Schaffner ECOsine™ standard filters are available for different supply networks throughout the world. They are UL listed, CE marked, and fulfill the requirements of the low voltage directive. A large selection of power, current, voltage and frequency ratings leaves the choice of filter up to the user. However, there are always occasions where different electric or mechanical requirements exist, or where more than just products are needed for the job at hand.

Schaffner is in the unique position of being able to support the user with problem analysis, engineering advice, testing and measurement support, custom products, and a worldwide customer service organisation. Our goal is to ensure that you obtain the level of harmonics mitigation you actually need – guaranteed.

Please contact your local Schaffner partner for comprehensive support. More information can also be obtained from the Schaffner ECOsine™ user manual.



ECOsine Active

Schaffner is also technology leader for active harmonic filters. ECOsine Active are available in 3-wire and 4-wire configuration with compensation currents from 30 to 300A. Besides harmonic current compensation, these highly dynamic filters can be utilized for capacitive and inductive power factor correction as well as for load balancing. More information can be found at www.mycosine.com.

Headquarters

Schaffner Group
4542 Luterbach
Switzerland
T +41 32 681 66 26
F +41 32 681 66 41
sales@schaffner.com
www.schaffner.com

China

Schaffner EMC Ltd. Shanghai
T +86 21 6813 9855
cschina@schaffner.com

Finland

Schaffner Oy
T +358 19 357 271
finlandsales@schaffner.com

France

Schaffner EMC S.A.S.
T +33 1 34 34 30 60
francesales@schaffner.com

Germany

**Schaffner Deutschland GmbH
Sales Karlsruhe**
T +49 721 56910
germanysales@schaffner.com

Schaffner Deutschland GmbH
T +49 2951 6001 0
buerensales@schaffner.com

**Schaffner Deutschland GmbH
Branch Nuertingen**
T +49 7022 21789 0
nuertingensales@schaffner.com

Italy

Schaffner EMC S.r.l.
T +39 02 66 04 30 45
italysales@schaffner.com

Japan

Schaffner EMC K.K.
T +81 3 5712 3650
japansales@schaffner.com

Singapore

Schaffner EMC Pte Ltd.
T +65 6377 3283
singaporesales@schaffner.com

Spain

Schaffner EMC España
T +34 618 176 133
spainsales@schaffner.com

Sweden

Schaffner EMC AB
T +46 8 5792 1121
swedensales@schaffner.com

Switzerland

Schaffner EMV AG
T +41 32 681 66 26
sales@schaffner.ch

Taiwan

Schaffner EMV Ltd.
T +886 2 87525050
taiwansales@schaffner.com

Thailand

Schaffner EMC Co. Ltd.
T +66 53 58 11 04
thailandsales@schaffner.com

UK

Schaffner Ltd.
T +44 118 9770070
uksales@schaffner.com

USA

Schaffner EMC Inc.
T +1 732 225 9533
Toll free 1 800 367 5566
usasales@schaffner.com

To find your local partner within Schaffner's global network, please go to

www.schaffner.com

690-888E
September 2010

© 2010 Schaffner EMC.
Specifications are subject to change without notice. The latest version of the data sheets can be obtained from the website. All trademarks recognized.

Schaffner is an ISO-registered company. Its products are designed and manufactured under the strict quality and environmental requirements of the ISO 9001 and ISO 14001 standards.

This document has been carefully checked. However, Schaffner does not assume any liability for errors or inaccuracies.