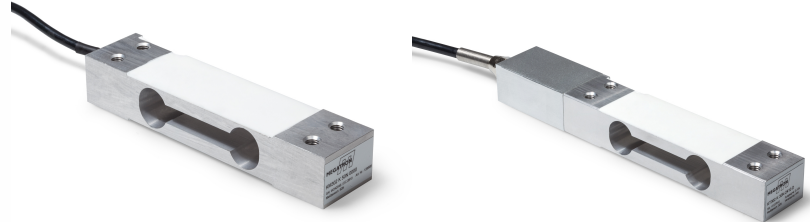
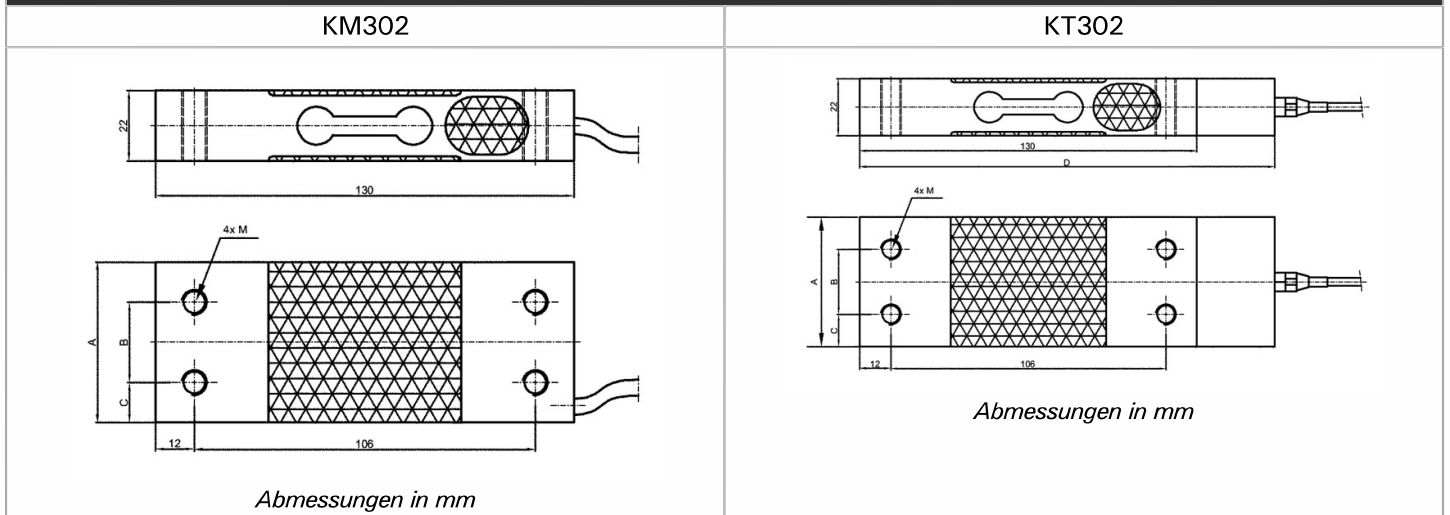


Series KM302 / KT302

- Capacity from 0...30N to 0...2kN
- Calibration either in tension or compression
- Available as loadcell (KM302), or with integrated amplifier (KT302)
- Taring function integrated
- RS232 / RS485 optional (KT302)
- Customized functions (KT302)



Dimensional Drawings



Capacity	A	B	C	D	M
30N ... 500N	30	15	7,5	180	M6
1kN ... 2 kN	50	25	12,5	160	M8

Series KM302 / KT302

Technical Data	KM302	KT302
Capacity (0 to ...)	30; 50; 100; 300; 500; 1000; 2000 N	
Operating Overload	120 %F.S.	
Safe Overload	150 %F.S.	
Ultimate Overload	> 200 %F.S.	
Rated Output	2 mV/V	-
Rated Output Tolerance	10 %F.S.	-
Zero Balance	2 %F.S.	1 %F.S. **
Non-Linearity	0,04 %F.S.	
Hysteresis	0,04 %F.S.	
Creep (30 min.)	0,4 %F.S.	
Total Error *	0,15 %F.S.	
Non-Repeatability	0,04 %F.S.	
Temp.Effect on Zero	0,04 %F.S./10K	
Temp.Effect on Output	0,04 %F.S./10K	
Legend:	*) = Hysteresis included **) Electronic version 2410: no signal change below 1% F.S. (for analog signal only, digital signal without limitation) All above values in %F.S. < = ± values Calibration protocol included	

Mechanical Data	
Measuring Method	Foil Strain Gage Full Bridge
Material Loacell	Aluminium Alloy

Ambient Conditions	KM302	KT302
Compensated Temperature	-10 ... +40° C	0 ... +40° C
Operating Temperature	-20 ... +60° C	
Protection Class	IP 65	IP64

Electrical Data	KM302	KT302
Input Impedance	410 ± 15 Ω	-
Output Impedance	350 ± 3 Ω	-
Insulation	> 2000 Ω	
Recommended Excitation	10 VDC typ., 15 VDC max.	24 VDC ± 20%
Cable Size	2 m, 4-wire shielded	2 m, 8-wire shielded

Series KM302 / KT302

Signal Versions	Supply	Signal
0000 without amplifier	10 V	20 mV
2410 built in amplifier	24 V	0 ... 10 V
2442 built in amplifier	24 V	4 ... 20 mA

Electrical Connection	KM302		KT302	
Wiring	0000		2410 / 2442	
	black	Excitation -	white	Excitation -
	red	Excitation +	brown	Excitation +
	green	Signal +	green	Signal analog
	white	Signal -	yellow	Tx / A (RS485)
	Shield	on housing	grey	Rx / B (RS485)
			pink	GW 1
			blue	GW 2
			red	Tara
			Shield	on housing

Order code					Accessories
Series	KM302				External Amplifiers <ul style="list-style-type: none"> • EMA3-DMS / EMA3-2DMS • IPG-DMS / IPG-2DMS • SI-DMS • IMA2-DMS Displays <ul style="list-style-type: none"> • DH28-DMS • Modig
	KT302				
Capacity		30N			
		50N			
		100N			
		300N			
		500N			
		1KN			
		2KN			
Connection			K		
Amplifier				0000 (KM302)	
				2410 (KT302)	
				2442 (KT302)*	
Force Direction				D (KT302)	
				Z (KT302)*	

short-term stock types can be found on: <http://www.megatron.de/en/stocklists/load-cells/lagerliste.html>

bold print = standard option

(*) = on request available for projects

19.02.2015

Tare - Standard function for all models with integrated amplifier

Tare function enables a reset of output signal (digital or analog) back to zero signal of calibration.

Procedure: Red cable wire has to be connected to ground (GND).

Example: KTB52 K 10KN 2442 D (i.e. 4mA = 0N, 20mA = 10KN)

Sensor is loaded with 2,5KN, which means output signal is 8mA.

Connecting red cable wire to ground, resets output signal back to 4mA

