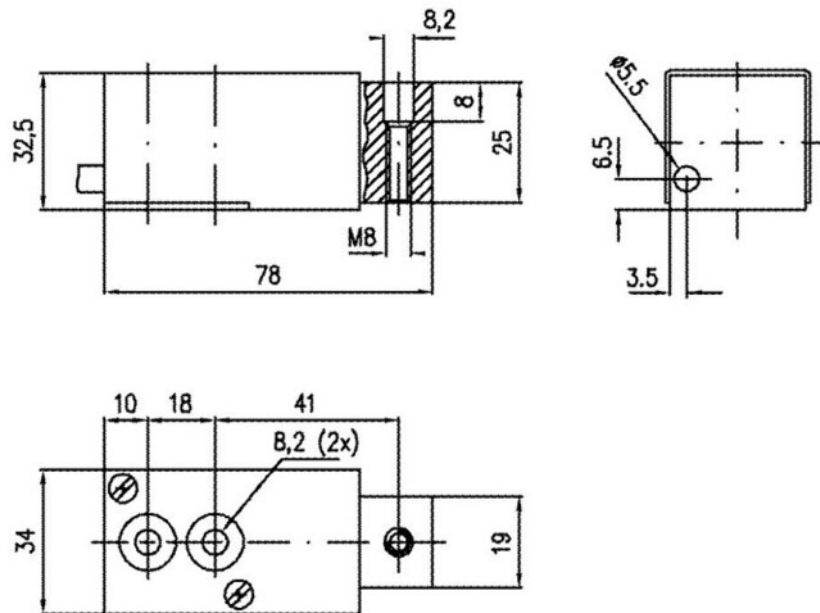


## Series KM801 / KT801

- Capacity from 0...2kN to 0...5kN
- Calibration either in tension or compression
- Optionally loadcell only (KM801) or with integrated amplifier (KT801)
- Calibration either in N or kg, calibration protocol included
- Loadcell nickel-plated steel
- Tiny dimensions
- Protection class IP40



## Dimensional Drawing



# Series KM801 / KT801

Technical Data	KM 801	KT 801
Capacity (0 to ...)	2; 5 kN	
Operating Overload	130% F.S.	
Safe Overload	200% F.S.	
Ultimate Overload	> 300% F.S.	
Rated Output	2 mV/V	-
Rated Output Tolerance	10% F.S.	-
Zero Balance	10% F.S.	0.2% F.S.
Non-Linearity	0.15% F.S.	
Hysteresis	0.15% F.S.	
Creep (30 min.)	0.1% F.S.	
Total Error *	0.25% F.S.	
Non-Repeatability	0.06% F.S.	
Temp.Effect on Zero	0.1% F.S./10K	0.2% F.S./10K
Temp.Effect on Output	0.15% F.S./10K	0.25% F.S./10K
Dynamic Load Capacity	70% F.S.	
Resonance Frequency	> 900 Hz	
Fullscale Deflection	0.2 ... 0.3 mm	
Limiting Lateral Load	20% F.S.	
Legend:	* ) Hysteresis included	
	All above values in %F.S. < = ± values	
	Calibration protocol included	

Mechanical Data	
Measuring Method	Foil Strain Gage Full Bridge
Material Loadcell	nickel-plated steel

Ambient Conditions	KM 801	KT 801
Compensated Temperature	-10 ... +65° C	0 ... +65° C
Operating Temperature	- 25 ... +70° C	0 ... +70° C
Storage Temperature	-40 ... +80° C	-30 ... +80° C
Protection Class	IP 40	

Electrical Data	KM 801	KT 801
Input Impedance	400 ± 50 Ω	-
Output Impedance	350 ± 10 Ω	-
Insulation	> 2000 MΩ	
Recommended Excitation	10 VDC typ. / 12 VDC max.	24 VDC
Cable Size	4-wire shielded, 2m	

# Series KM801 / KT801

## Signal Versions

	Supply	Signal
0000 without amplifier	10V	20mV ± 20%
2410 built in amplifier	24V ± 20%	0 ... 10 V
2442 built in amplifier	24V ± 20%	4 ... 20mA

## Electrical Connection

Wiring	0000	2410/2442
yellow	Excitation -	Excitation -
brown	Excitation +	24 V
green	Signal +	Signal +
white	Signal -	Signal -
Shield	on housing	on housing

## Order Code

Series	KM801				
	<b>KT801</b>				
Capacity		<b>1KN</b>			
		<b>2KN</b>			
Connection			<b>K</b>		
Amplifier				<b>0000 (KM801)</b>	
				<b>2410 (KT801)</b>	
				<b>2442 (KT801)*</b>	
Force Direction					<b>D</b>
					<b>Z*</b>

## Accessories

### External Amplifiers

- EMA3-DMS / EMA3-2DMS
- IPG-DMS / IPG-2DMS
- SI-DMS
- IMA2-DMS

### Displays

- DH28-DMS
- Modig

short-term stock types can be found on: <http://www.megatron.de/en/stocklists/load-cells/lagerliste.html>

bold print = standard option

(\* ) = on request available for projects

19.02.2015