

Functions

Communication

- 1 RS232/RS485 configurable port.
- Protocols : slave Modbus RTU, slave PM A+ and remote display master PM A+.

Weight thresholds

4 galvanically isolated digital outputs:

- Tension/power range 48 V AC/DC - 100 mA
- Definition of thresholds in gross or net weight.
- Activation of output if the current weight is >= or <= threshold.
- Thresholds relative to positive or negative weight value.

Remote control

2 galvanically isolated digital outputs:

- Tension range 8-30 V DC
- Max power. 15 mA

Allow remote zeroing and tare operations.

Configuration

The metrological and functional configuration can be performed via:

- the indicator front panel;
- a PC and mere web browser.

Parameter back-up/restoring on μ SD board (option) or disk.

Preventive maintenance aid

- Counter of registered weight overloads.
- Alert display on 3 levels according to the number of performed weighs.

Options

Field bus communication

- PROFIBUS-DP*
- PROFINET*
- DeviceNet*
- Ethernet Modbus-TCP*
- EtherNet/IP*
- CANopen

The CANopen bus also allows connecting a d 20 remote display and integrating an i 40 indicator within an I 410 network.

Analogue output*

- 4-20 mA or 0-10 V analogue output
- 1500 V RMS galvanic isolation
- Possible reading of negative weight values on the 0-4 mA range
- Image of instant gross or net weight

* Exclusive options: either one of the connections to the field buses marked by *, or an analogue output.

Serial communication

- 1 peripheral-type USB port*
- 1 RS 232 port**
- Protocols: slave Modbus RTU, slave PM A+ and remote display master PM A+.

* Option available only in version i 40-SS.

** Option available only in version i 40-SS and i 40-JB.

TCP/IP communication

- 1 port Ethernet 10/100 Mb RJ 45*
- Protocol: slave PM A+ and remote display master PM A+.

* Option non available for i 40-JB version

μ SD board

- For parameter back-up/restoring.
- Alibi (DSD) memory for 300 000 records in legal for trade use.

Protection carter

- To protect the i 40-JB indicator
- Does not allow the legal for trade use of the indicator.

Mounting kit

- To integrate the i 40-SS indicator into a cabinet or console.

WWW.PRECIAMOLEN.COM

i 40 Weight indicator for industrial processes

**PRECIA
MOLEN™**
WORLDWIDE WEIGHING



i 40-SS*



i 40-PM



i 40-DR



i 40-JB

The industrial indicator i 40 is particularly adapted to *process weighing* as it easily fits into any industrial process that implies with measurement.

The various connection possibilities offer a direct link with the i 40 for most PLC and industrial market PCs.

With different types of housing, the indicator can be installed directly into the work environment, into a cabinet or a monitoring terminal.

Display

- FSC (Field Sequential Color) segment technology
- Configurable 7-colour backlighting
- Weight display on seven 25-mm characters
- Text area with ten 8-mm characters
- Weight unit: g, kg, t et lb
- Light indicators for metrology and field bus operation
- High angle of vision and contrast
- French/English messages

Metrological certification

Test certificate delivered by a notified body in compliance with the Directive 2009/23/CE for Non Automatic Weighing Instruments:

- NAWI Class III
- Simple range 1 x 3 000 or 1 x 6 000
- Double range 2 x 3 000 or 2 x 6 000

Environment features

- Power supply 9 to 30 V DC*
- Maximum power:

Typical.....	1,4 W
With 4-20 mA / 0-10 V option.....	1,8 W
With field bus option	2,7 W
- Connection with spring terminals
- Use temperature..... -15 °C / + 60 °C**
(at 80 % max. of relative humidity without condensation)
- Storage temperature..... - 20 °C / + 65 °C
(at 90 % max. of relative humidity without condensation)

* if 4-20 mA option: minimum 22 V.

** -10 °C / + 40 °C in legal for trade use.

Electrical certification

- Compliance with the requirements of the ElectroMagnetic Compatibility Directive 2004/108/CE
- Compliance with the requirements of the Low Tension Directive 2006/95/CE

Keyboard

- Touch keys
- 3 metrological keys: zero, tare and gross weight reminder
- 3 menu access keys
- 4 arrow keys (i 40-SS only)

Metrological features

- Up to 200 000 divisions in non legal for trade use.
- Sensitivity 2 mV/V
- Minimal tension scale per division 0,5 μ V
- Weighing cell power 5 V
- Weighing cell minimal impedance 43 Ω
- Weighing cell maximal impedance 1245 Ω
- 4/6 wire connections
- Up to 100 measurements/second
- Cascadable digital filters on 2 configurable levels
- Direct connection of 1 to 4 analogue 4 or 6-wire load cells for the version i40-JB.

* Also available in IP69K

IP69K
LCIE : 115532-630480



Your specialist

Illustrations not contractual. Precia-Molen reserves the right to alter the characteristics of the equipment described in this brochure at any time.

PRECIA-MOLEN Headquarters & Factory
BP 106 - 07000 Privas - France
Tel. 33 (0) 475 664 600
Fax 33 (0) 475 664 330
E-MAIL webmaster@preciamolen.com

RCS: 386 620 165 RCS Aubenas

**PRECIA
MOLEN™**
WORLDWIDE WEIGHING

WWW.PRECIAMOLEN.COM

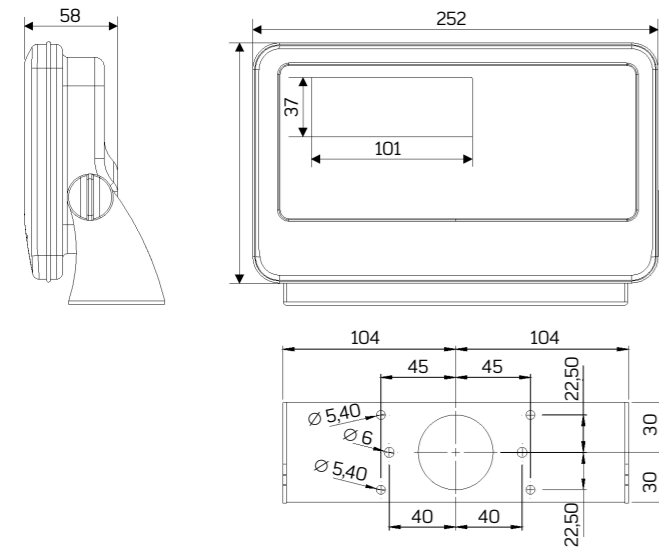
04-SS-00-1-FT D - 12/2015

i 40-SS, housing version

Features

- ▼ Housing SS 304L
- ▼ 5 glands ISO 16
- ▼ Waterproofing IP66
- ▼ Swivelling support 180°
- ▼ Weight 1.5 kg

Dimensions



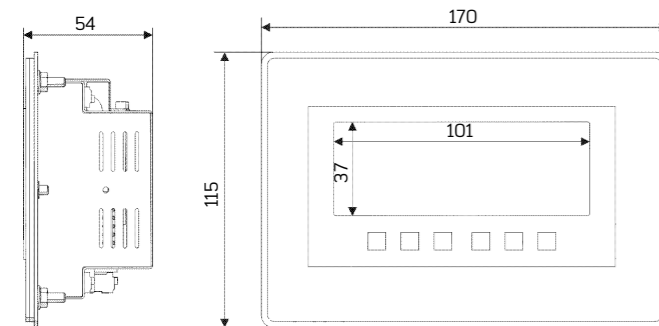
Dimensions in mm.

i 40-PM, mounting version

Features

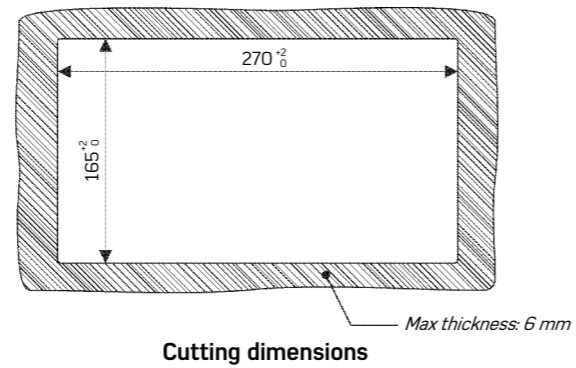
- ▼ Front panel SS 304L
- ▼ Housing Metal
- ▼ Waterproof protection (front panel) IP54
- ▼ Overall waterproof protection IP30
- ▼ Weight 450 g

Dimensions



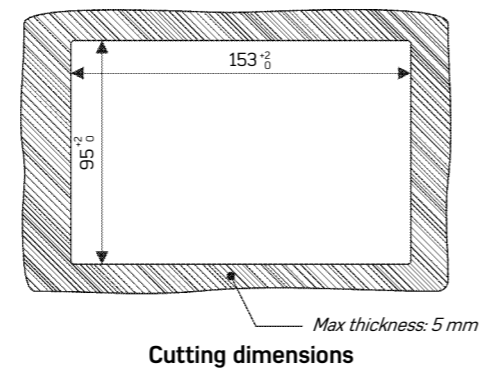
Dimensions in mm.

Mounting kit (option)



Cutting dimensions

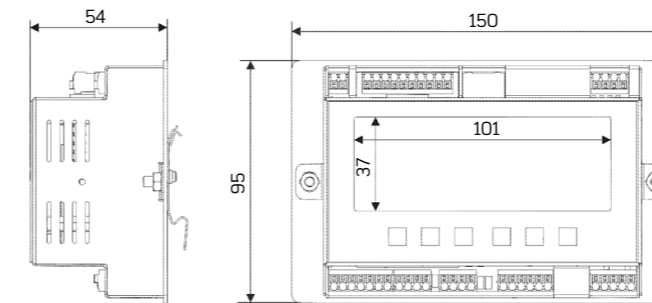
Mounting kit



Cutting dimensions

i 40-DR DIN rail version

Dimensions



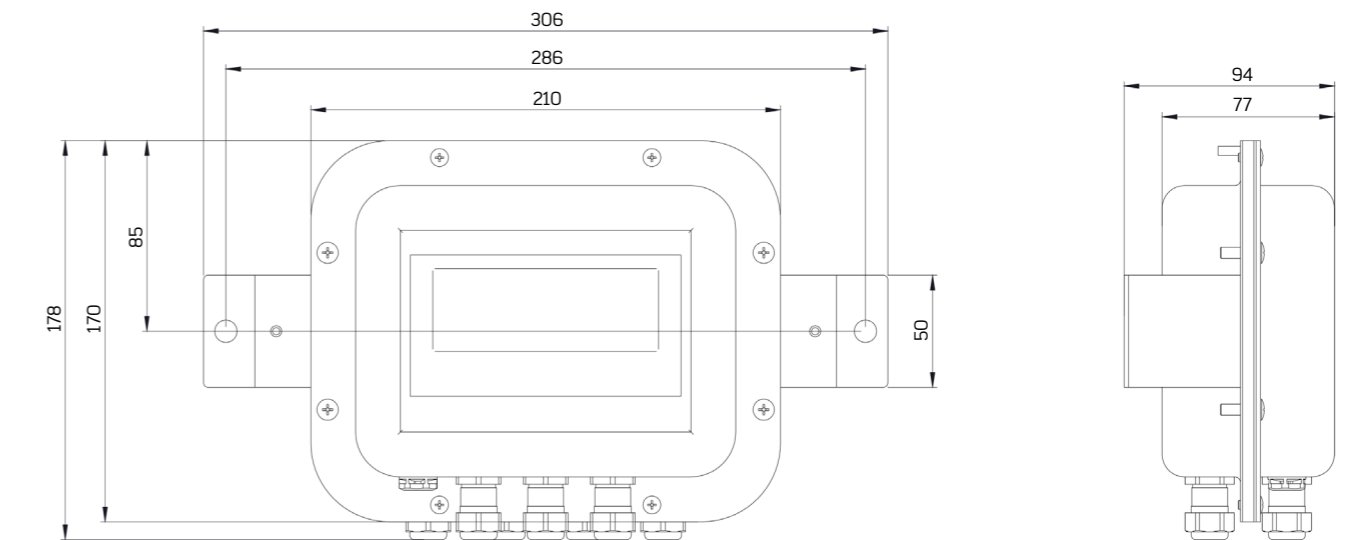
Dimensions in mm.

Features

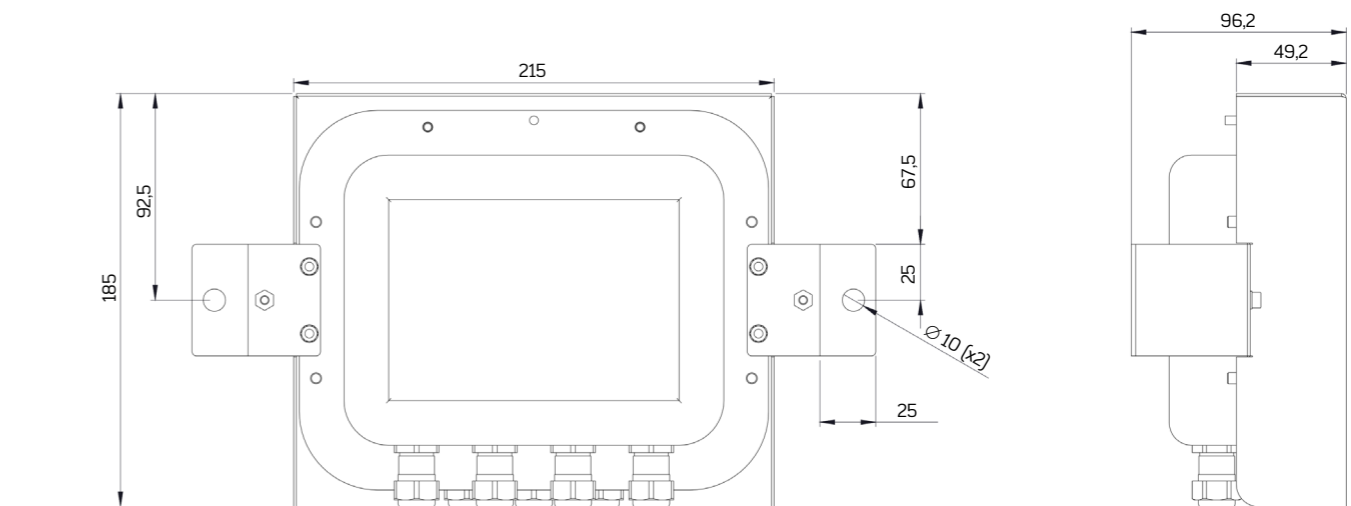
- ▼ Fixing on Omega 35 mm DIN rail EN 500022
- ▼ Housing Metal
- ▼ Waterproofing IP30
- ▼ Weight 450 g

i 40-JB version with 4-load cell junction box

Dimensions



Dimensions with protection carter (option)



Dimensions in mm.

Features

- ▼ Housing SS 304L
- ▼ 7 glands ISO 16
- ▼ Waterproof protection IP66
- ▼ Weight 1.5 kg
- ▼ Weight with protection carter 2.2 kg