

For tailormade safety.

Actuators of the 300 series for
fire protection and smoke extraction.



The new performers.

Reliable, user-friendly and flexible.

Actuators have been a central component of the Gruner company's product range since 1954. The know-how of entire generations has flowed into targeted further development. With its mature know-how, the company is now rounding off its offering for all applications relating to fire protection and smoke extraction. Here, the new actuators of the 300 series cover the most diverse applications. The enhanced portfolio contains the right products to suit different torques, in all the usual damper sizes.

BLDC technology.

As always with Gruner, reliable quality and highly-developed technology are of course part of the package. Whether for 24, 120 or 230 VAC/DC, the optimised design of the actuators guarantees up to 120,000 cycles for springs and motors. Less mechanical components mean that the integrated BLDC technology (brushless direct current) reduces wear.

Steel components give all critical parts the required safety – which means that the torque remains preserved even at high temperatures.

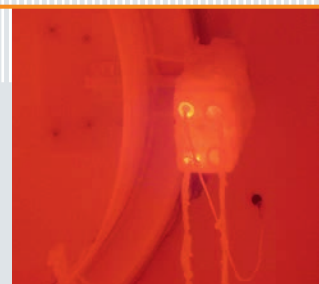
By the way – in continuous operation, all actuators in the 300 series can reliably withstand ambient temperatures of up to 80 °C.

Simple to mount.

Since the distances are always the same, actuators of the 300 series from Gruner are especially simple to mount. The hinged connection for smoke detectors enables individual OEM packaging. Duct mounting is just as user-friendly: thanks to optimised accessibility, the thermal tripping device can be easily exchanged after unintentional activation.



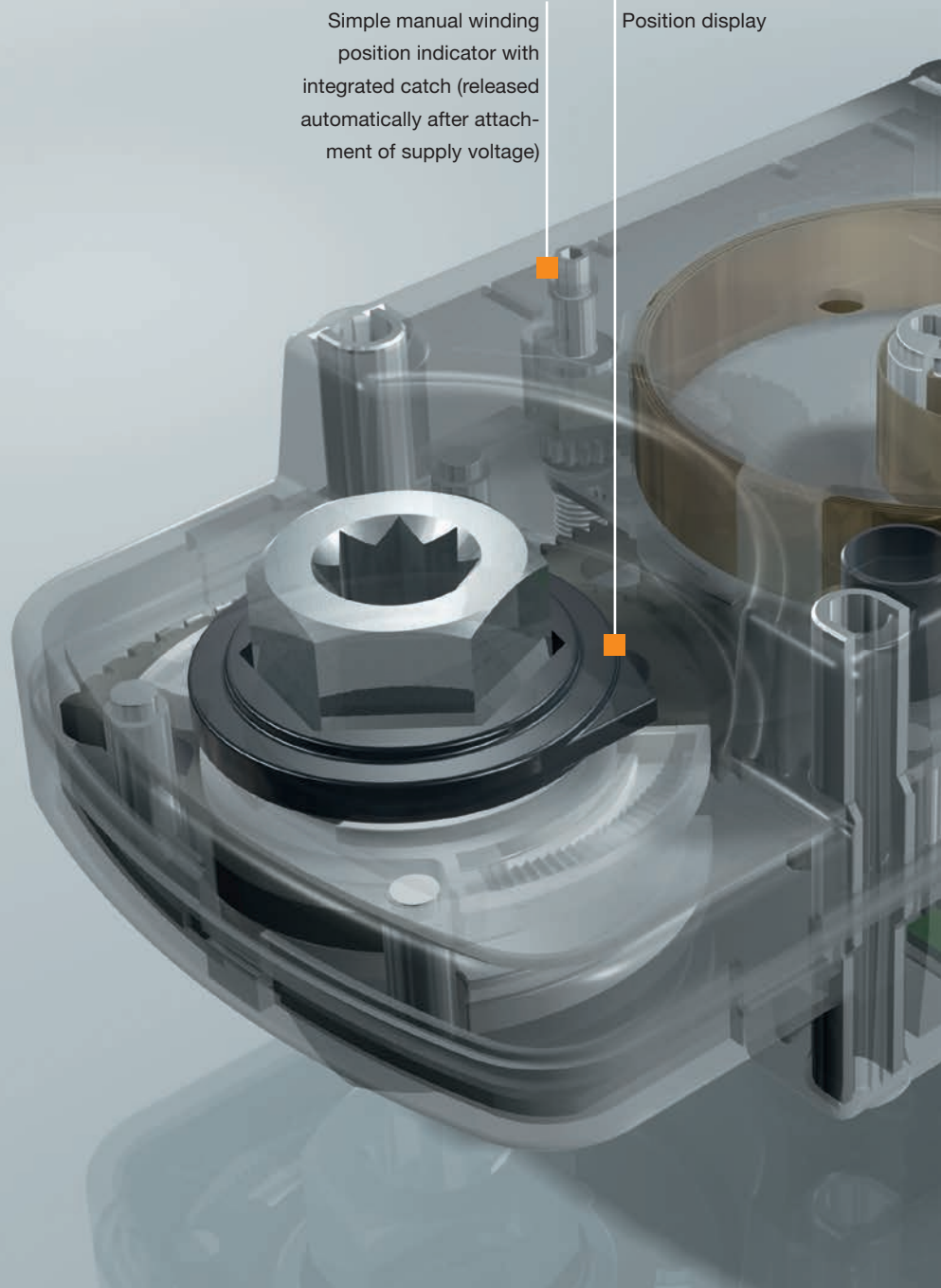
Advanced testing facilities, inspection systems and quality-assurance strategies guarantee outstanding quality.



Efficiency at a glance.

Highlights, options and certifications.

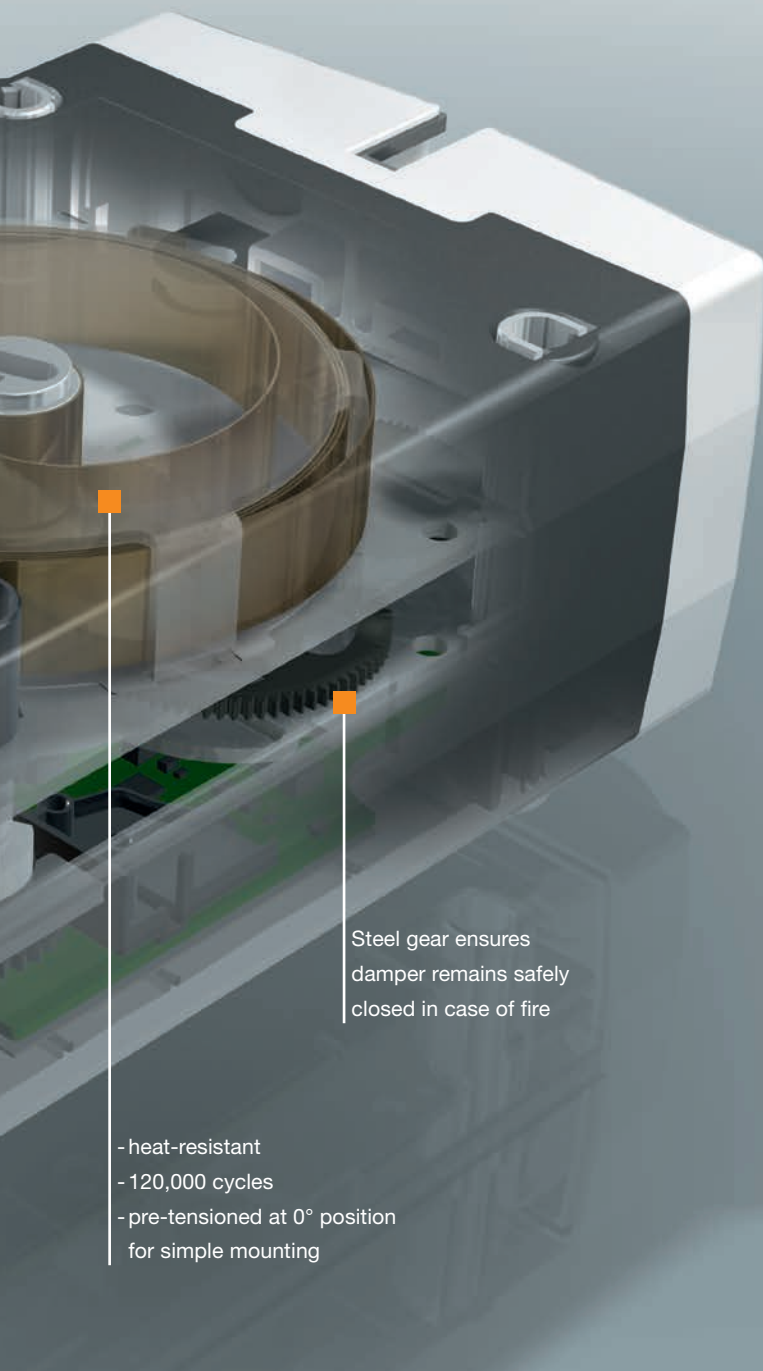
- Thermoelectrical release with maximum robustness (according to DIN EN 60691)
- Manual adjustment without separate power supply
- Spring prestressing for full torque across the entire 95° rotation angle
- Options: position feedback by isolated auxiliary switches, temperature protection for duct mounting, and much more.
- CE according to EMC directive 2004/108/EG and Low Voltage Directive 2006/95/EG
- Optimal economic efficiency due to energy-saving behaviour in end position



Simple manual winding position indicator with integrated catch (released automatically after attachment of supply voltage)

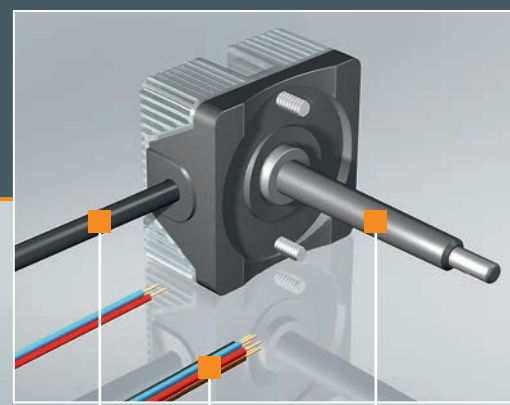
Position display

The baptism of fire, at over 1000 °C, has been repeatedly passed: insist on safety and you insist on Gruner.



- heat-resistant
- 120,000 cycles
- pre-tensioned at 0° position for simple mounting

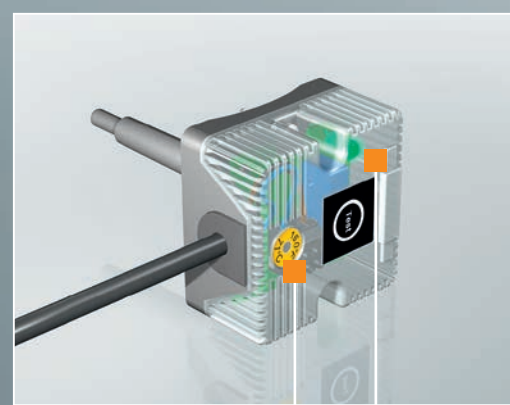
Steel gear ensures damper remains safely closed in case of fire



Halogen-free cable

Monitoring of temperature inside and outside duct

Non-adjustable limit switches



Temperature indicator for higher functional safety

Function display and test button for higher operating safety

Without adapter for maximum safety
 - □ 12 mm standard
 - □ 10 mm optional



CRUNER
 360TA-230-10-S2
 230 V • 50/60 Hz
 -30°...+50°C • IP54
 10 Nm • 150 s
 10 Nm • <20 s
 CE

Wiring diagram:
 01 02
 1 2 3 4 5 6
 0° 80°

Tailored for success.

Nominal sizes, performance data and details.

What torque, and what power supply? What are the specific requirements? Actuators in the 300 series from Gruner for fire protection and smoke extraction provide answers to all the relevant questions. Here they cover a uniquely varied range of torques, from 3 to 5 and 12 to 20 Nm, and naturally conform to the DIN EN standards und CE guidelines.



	Fire protection				Fire protection				Smoke extraction		Fire protection				Smoke extraction		Fire protection				Smoke extraction	
Dimensions	150 x 75 x 70 mm								193 x 96 x 60 mm				193 x 96 x 70 mm									
Type	340-024D-03-S2	340TA-024D-03-S2	340-230D-03-S2	340TA-230D-03-S2	340-024-05-S2	340TA-024-05-S2	340-230-05-S2	340TA-230-05-S2	342-024-15-S2	342-230-15-S2	360-024-12-S2	360TA-024-12-S2	360-230-12-S2	360TA-230-12-S2	362-024-20-S2	362-230-20-S2	360-024-20-S2	360TA-024-20-S2	360-230-20-S2	360TA-230-20-S2	363-024-40-S2	363-230-40-S2
Torque (motor)	3 Nm	3 Nm	3 Nm	3 Nm	5 Nm	5 Nm	5 Nm	5 Nm	15 Nm	15 Nm	12 Nm	12 Nm	12 Nm	12 Nm	20 Nm	20 Nm	20 Nm	20 Nm	20 Nm	20 Nm	40 Nm	40 Nm
Torque (spring)	3 Nm	3 Nm	3 Nm	3 Nm	5 Nm	5 Nm	5 Nm	5 Nm			12 Nm	12 Nm	12 Nm	12 Nm			20 Nm	20 Nm	20 Nm	20 Nm		
2-point	•	•	•	•	•	•	•	•	•	•	•	•	•	•	•	•	•	•	•	•	•	•
Rotation angle [°]	95	95	95	95	95	95	95	95	95	95	95	95	95	95	95	95	95	95	95	95	95	95
Power supply																						
24 VAC/DC	•	•			•	•			•	•	•	•			•	•	•	•			•	•
230 VAC/DC			•	•			•	•		•			•	•		•		•	•			•
Options																						
Temperature protection for duct mounting (72 °C)		•		•		•		•				•		•				•		•		
Connector for smoke detector		○		○		○		○	○	○		○		○	○	○		○		○	○	○
Auxiliary switch*	•	•	•	•	•	•	•	•	•	•	•	•	•	•	•	•	•	•	•	•	•	•
Modbus RTU*											○	○	○	○	○	○	○	○	○	○	○	○

- included
- optionally available
- * 2 x SPDT at 5° and 80° (-5° ... +95° angle of rotation)

The perfect fit ...

Relays, solenoids and actuators from Gruner.

Gruner stands for flexibility, innovation and openness to electronic applications in the energy management, building management, drive technology and automotive sectors. As well as actuators, the product range also includes solenoids and relays. With locations in Germany, Tunisia, Serbia and India, the company has a worldwide presence. Find out more about the comprehensive Gruner portfolio online at www.gruner.de

GRUNER AG

Bürglestraße 15-17 · 78564 Wehingen · Germany
Phone +49 7426 948-0 · Fax +49 7426 948-200
www.gruner.de · info@gruner.de

GRUNER 
Schalten und Bewegen