



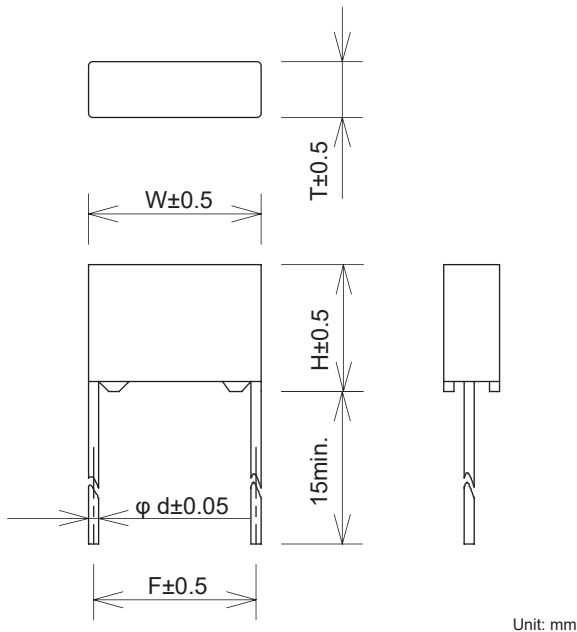
**Features**

- 30% smaller size of YE series
- UL, cUL, IEC/EN 60384-14 class Y2
- Good temperature characteristic compared to ceramic capacitor.

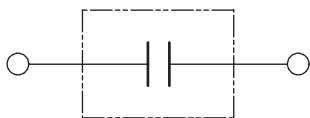
**Applications**

- Designed mainly for suppressing noise occurring in electric appliances and medical equipment

**Dimensions**



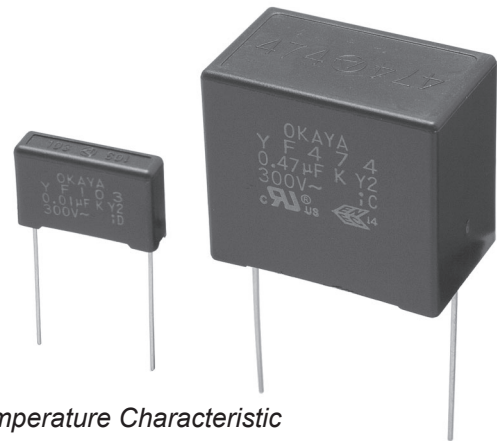
**Circuit**



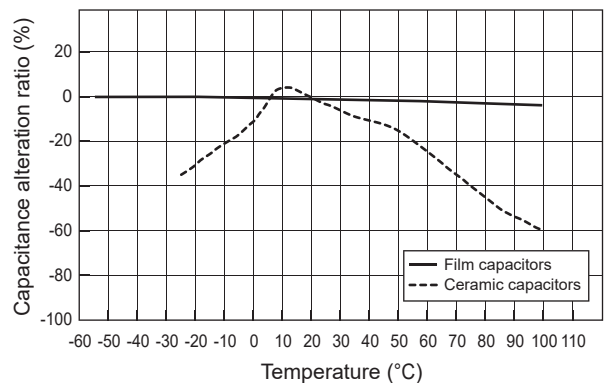
Safety Standard	File No.*
UL :UL60384-14	E47474
cUL :CSA E60384-14	E47474
ENEC/SEMKO :IEC/EN60384-14	SE-ENEC-2100747

The "ENEC" mark is a common European product certification mark based on testing to harmonised European safety standard. The mark with #14 stands for SEMKO.

\*File No. may be revised without notice. Please contact us at the time of your request for certifications.



**Temperature Characteristic**



**Model numbering system**



**Electrical Specifications**

Rated Voltage **300Vac**

Safety Standard	Class	Model Number	Capacitance $\mu\text{F}\pm 10\%$	Dimensions					Dissipation Factor	Test Voltage	Insulation Resistance
				W	H	T	F	d			
	Y2	YF103	0.01	18.0	11.0	5.0	15.0	0.6	0.003max. (at 10kHz)	Line to Line 2,000Vac 50/60Hz 60sec	Line to Line $C \leq 0.33\mu\text{F}$ 15,000M $\Omega$ min.
		YF153	0.015		11.5	6.0					
		YF223	0.022		12.5	7.0					
		YF333	0.033		14.0	8.0					
		YF473	0.047		15.0	9.0					
		YF683	0.068	26.0	15.5	7.5	22.5	0.8		Line to Case 2,000Vac 50/60Hz 60sec	Line to Case 100,000M $\Omega$ min. (at 100Vdc)
		YF104	0.1		17.5	10.5					
		YF154	0.15		19.5	12.5					
		YF224	0.22	31.0	20.5	13.5	27.5				
		YF334	0.33		24.0	16.0					
YF474	0.47	27.0	18.5								

Operating Temperature: -55~+110°C